

4

3

2

1

D

D

C

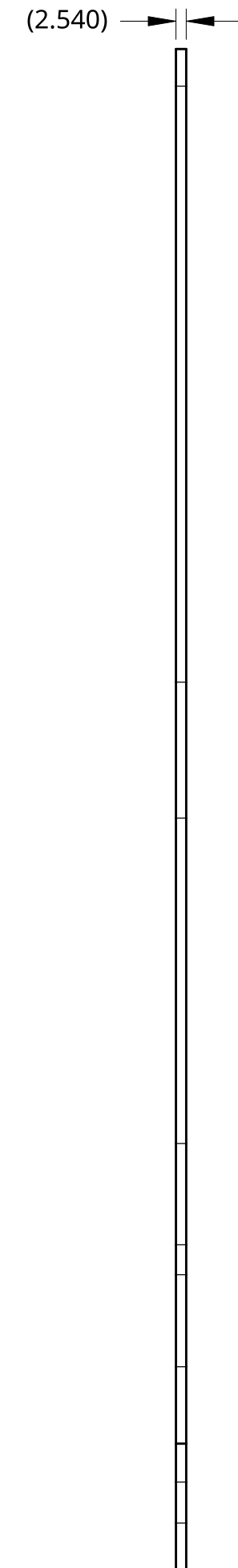
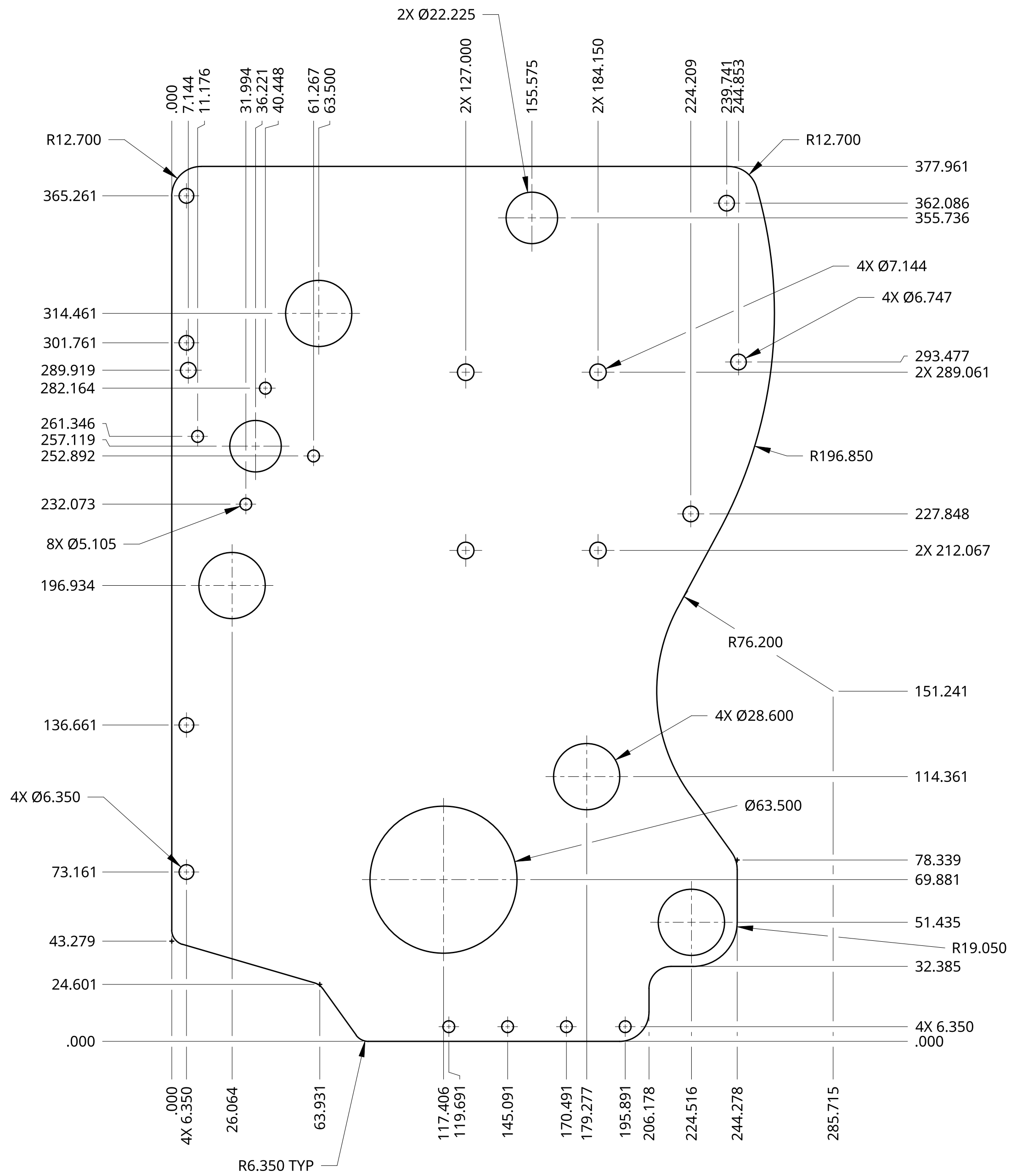
C

B

B

A

A



UNLESS OTHERWISE SPECIFIED, DIMENSIONS ARE IN MILLIMETERS .XX = ±.25 ANGULAR = ± 1° .XXX = ±.13	VEND	NAME	DATE	
	DRAWN	JO	12/10/2025	
DO NOT SCALE DRAWING	MATERIAL			TITLE
BREAK ALL SHARP EDGES AND REMOVE BURRS	.100" 5052 ALUMINUM PLATE			SIDE PLATE
PROPRIETARY AND CONFIDENTIAL THE INFORMATION CONTAINED IN THIS DRAWING IS THE SOLE PROPERTY OF FIRST. ANY REPRODUCTION IN PART OR AS A WHOLE WITHOUT THE WRITTEN PERMISSION OF FIRST IS PROHIBITED.				SIZE
	C	KB-26001		
	SCALE	2:3	SHEET 1 of 1	

4

3

2

1

D

D

C

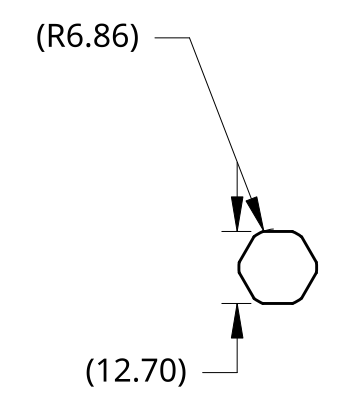
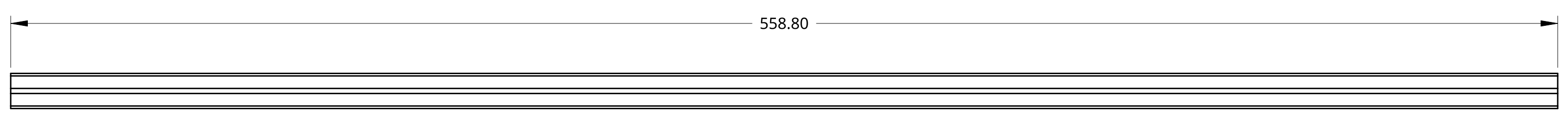
C


B

B

A

A



UNLESS OTHERWISE SPECIFIED, DIMENSIONS ARE IN MILLIMETERS .XX = ±.25 ANGULAR = ± 1° .XXX = ±.13	VEND	NAME	DATE		
	DRAWN	JO	12/10/2025		
DO NOT SCALE DRAWING	MATERIAL STEEL ROUNDED 1/2" HEX SHAFT			TITLE ROLLER SHAFT	
BREAK ALL SHARP EDGES AND REMOVE BURRS				SIZE C	DWG NO. KB-26002
PROPRIETARY AND CONFIDENTIAL THE INFORMATION CONTAINED IN THIS DRAWING IS THE SOLE PROPERTY OF FIRST . ANY REPRODUCTION IN PART OR AS A WHOLE WITHOUT THE WRITTEN PERMISSION OF FIRST IS PROHIBITED.	SCALE 3:4	SHEET 1 of 1			

4

3

2

1

4

3

2

1

D

D

C

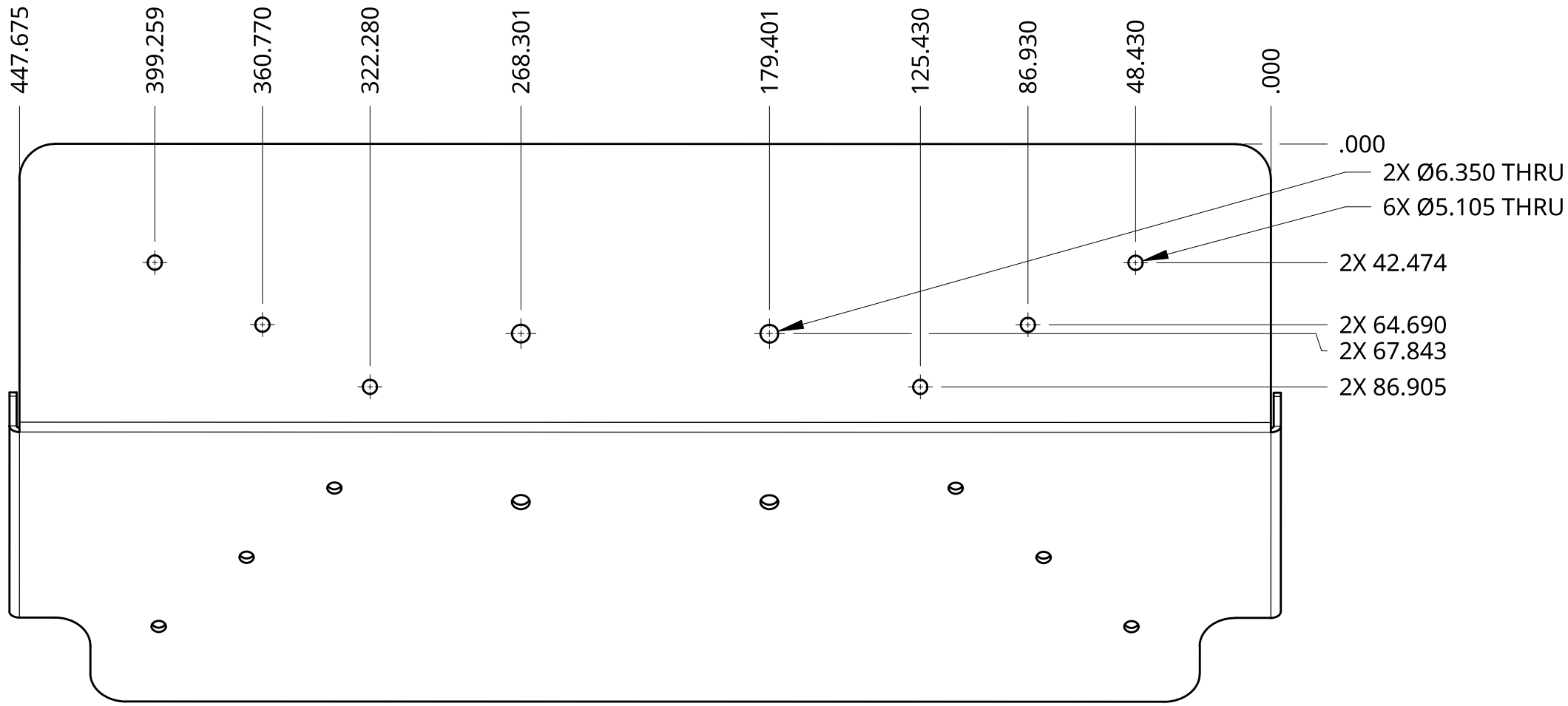
C

B

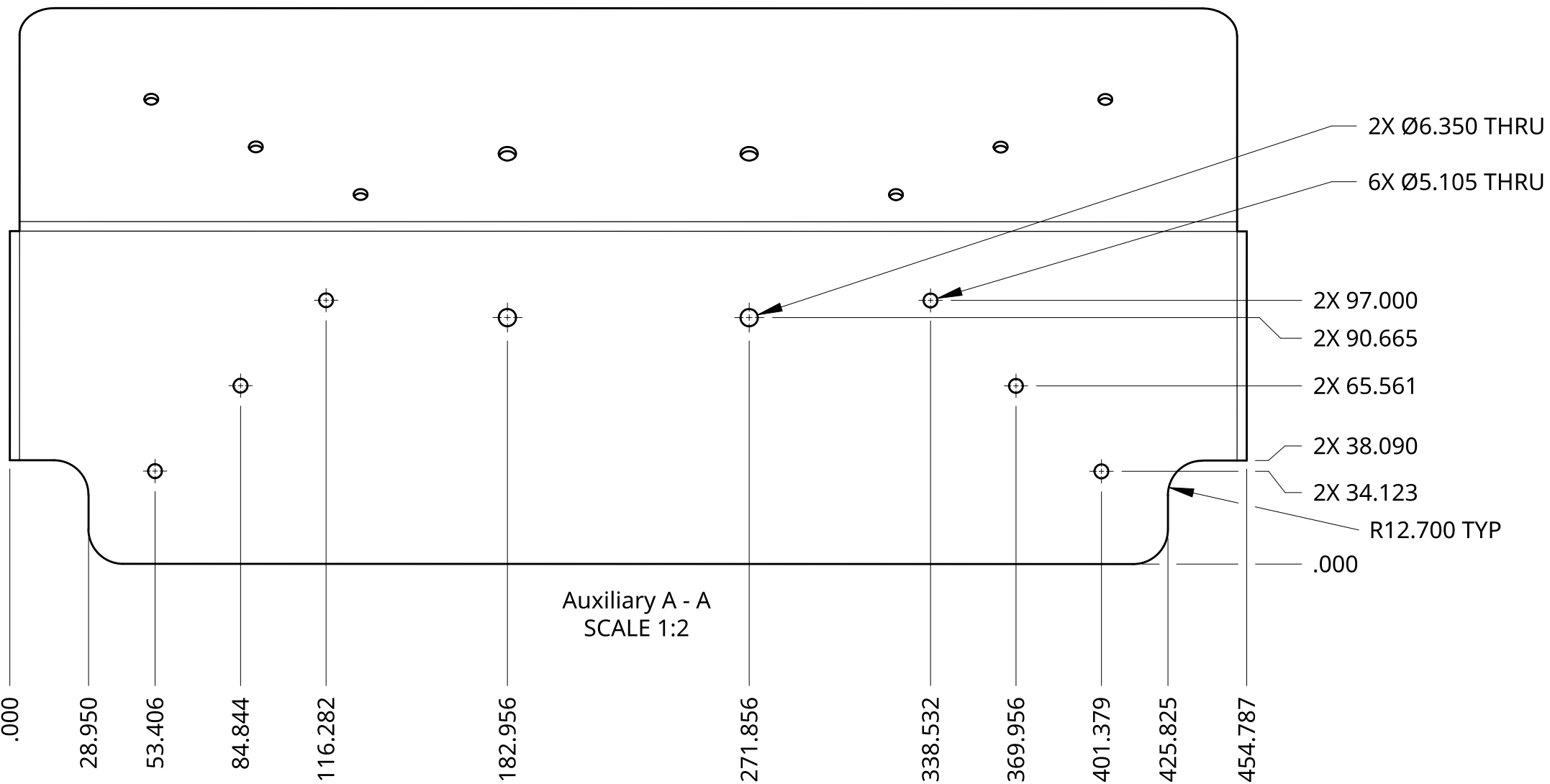
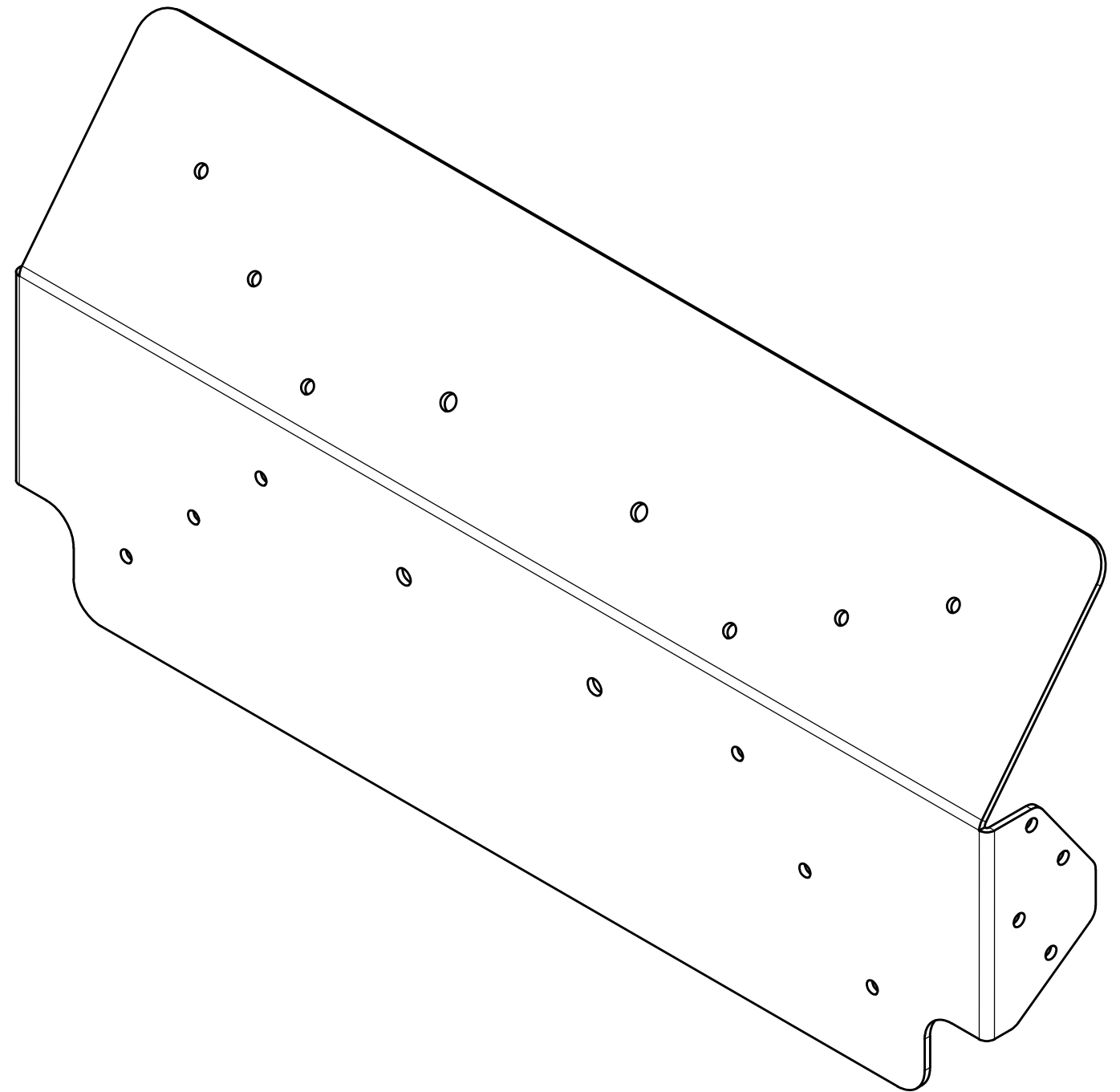
B

A

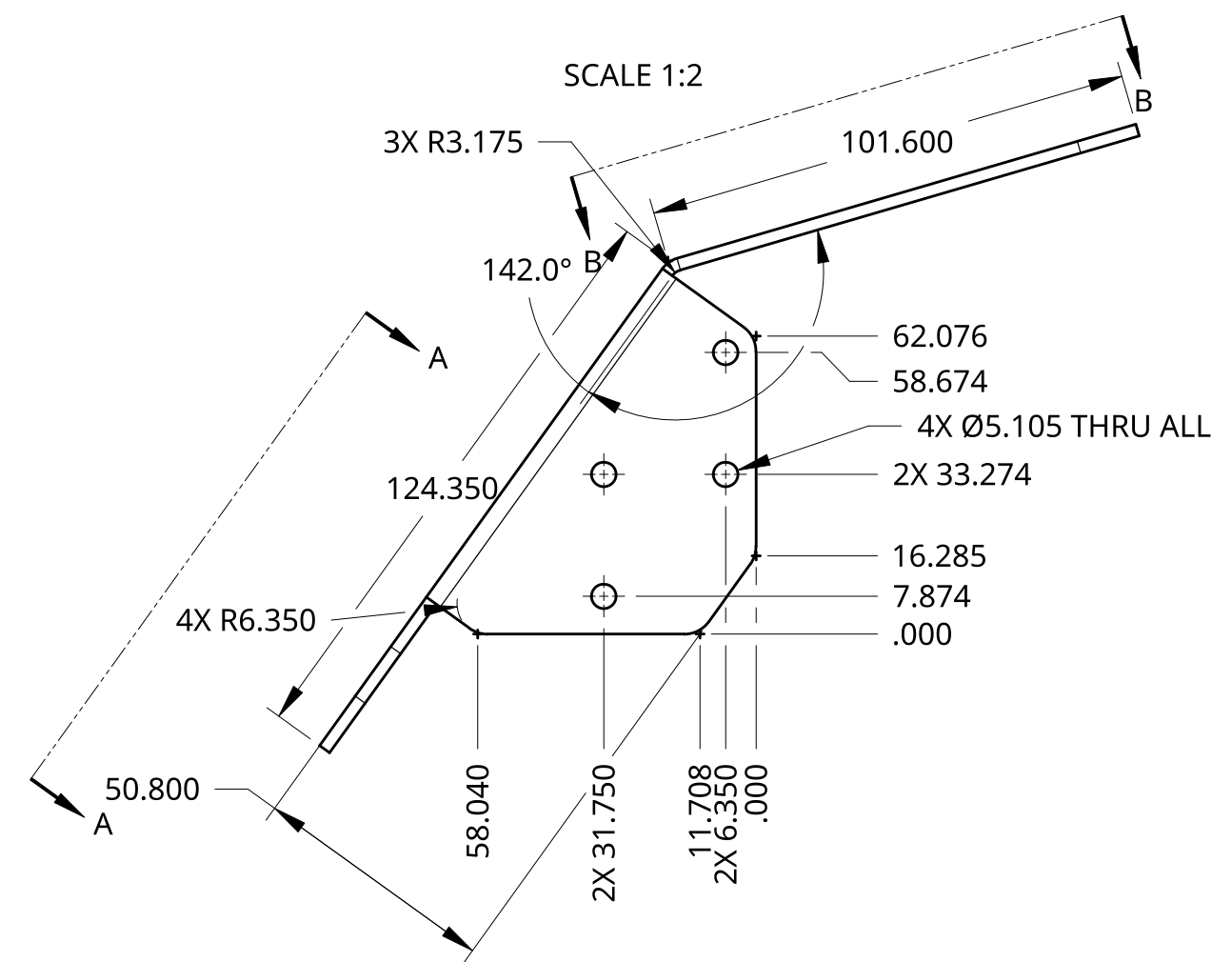
A




Auxiliary B - B
SCALE 1:2



Auxiliary A - A
SCALE 1:2



SCALE 1:2

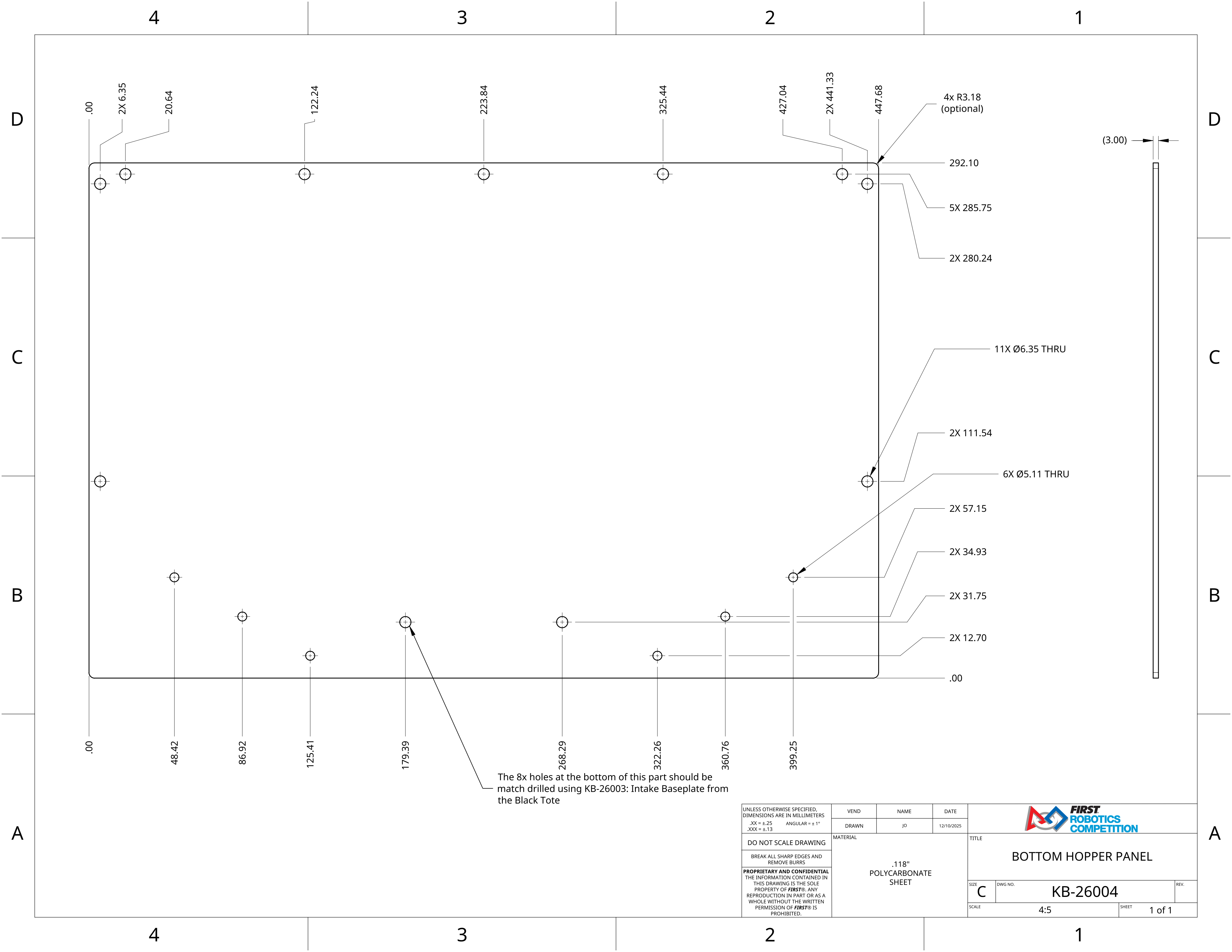
UNLESS OTHERWISE SPECIFIED, DIMENSIONS ARE IN MILLIMETERS .XX = ±.25 ANGULAR = ± 1° .XXX = ±.13	VEND	NAME	DATE	
	DRAWN	JO	12/10/2025	
DO NOT SCALE DRAWING	MATERIAL			TITLE
BREAK ALL SHARP EDGES AND REMOVE BURRS	.100" 5052 ALUMINUM PLATE			INTAKE BASEPLATE
PROPRIETARY AND CONFIDENTIAL THE INFORMATION CONTAINED IN THIS DRAWING IS THE SOLE PROPERTY OF FIRST®. ANY REPRODUCTION IN PART OR AS A WHOLE WITHOUT THE WRITTEN PERMISSION OF FIRST® IS PROHIBITED.	SIZE	DWG NO.	REV.	
	C	KB-26003		
	SCALE	1:4	SHEET	1 of 1


4

3

2

1



UNLESS OTHERWISE SPECIFIED, DIMENSIONS ARE IN MILLIMETERS .XX = ±.25 ANGULAR = ± 1° .XXX = ±.13	VEND	NAME	DATE	
	DRAWN	JO	12/10/2025	
DO NOT SCALE DRAWING	MATERIAL			TITLE
BREAK ALL SHARP EDGES AND REMOVE BURRS	.118" POLYCARBONATE SHEET			BOTTOM HOPPER PANEL
PROPRIETARY AND CONFIDENTIAL THE INFORMATION CONTAINED IN THIS DRAWING IS THE SOLE PROPERTY OF FIRST . ANY REPRODUCTION IN PART OR AS A WHOLE WITHOUT THE WRITTEN PERMISSION OF FIRST IS PROHIBITED.				SIZE
	C	KB-26004		
	SCALE	4:5	SHEET 1 of 1	

4

3

2

1

D

D

C

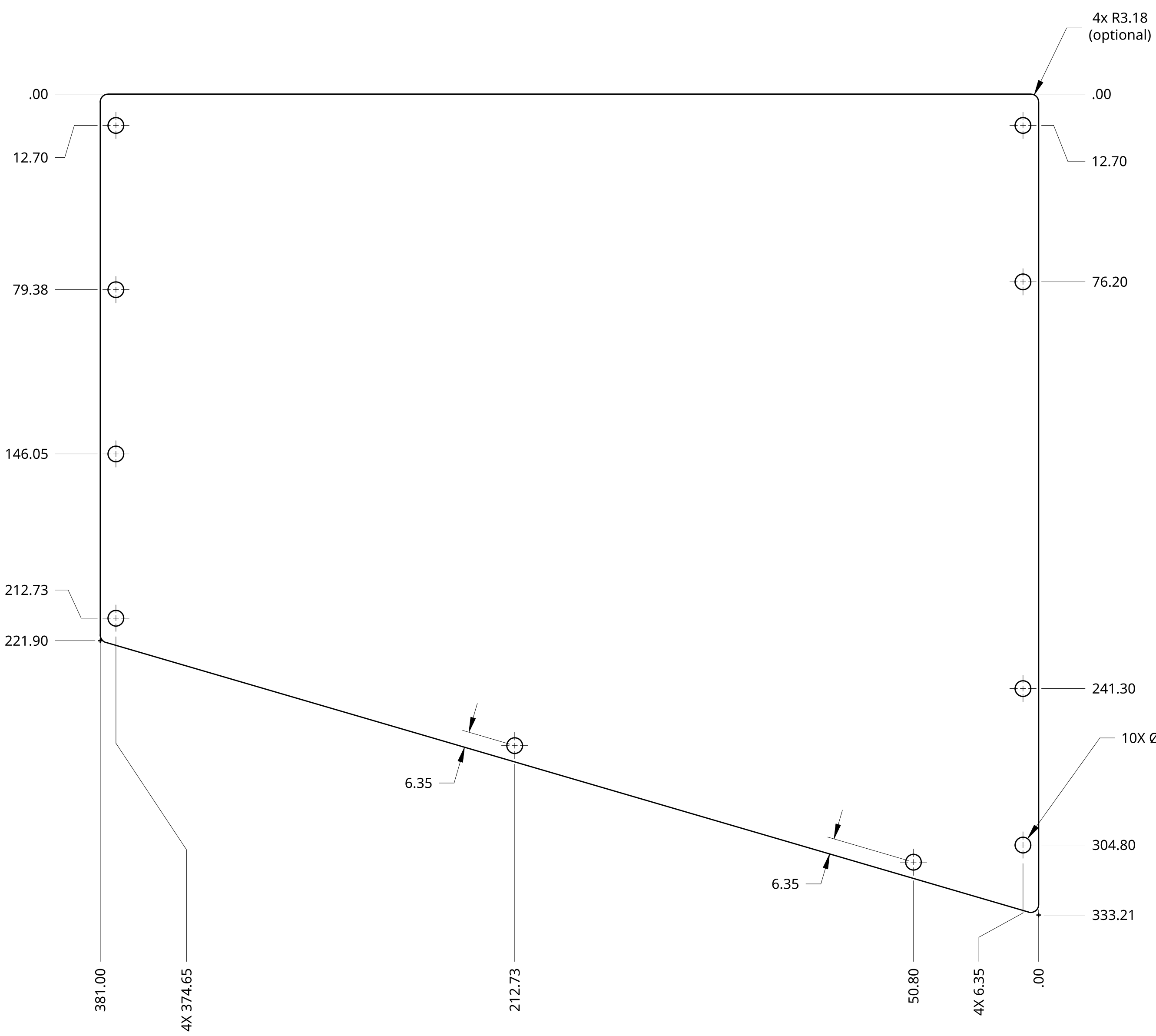
C


B

B

A

A



UNLESS OTHERWISE SPECIFIED, DIMENSIONS ARE IN MILLIMETERS .XX = ±.25 ANGULAR = ± 1° .XXX = ±.13	VEND	NAME	DATE	
	DRAWN	JO	12/10/2025	
DO NOT SCALE DRAWING	MATERIAL			TITLE
BREAK ALL SHARP EDGES AND REMOVE BURRS	.118" POLYCARBONATE SHEET			SIDE HOPPER PANEL
PROPRIETARY AND CONFIDENTIAL THE INFORMATION CONTAINED IN THIS DRAWING IS THE SOLE PROPERTY OF FIRST® . ANY REPRODUCTION IN PART OR AS A WHOLE WITHOUT THE WRITTEN PERMISSION OF FIRST® IS PROHIBITED.				
	SCALE	3:4	SHEET	1 of 1

4

3

2

1

4

3

2

1

D

D

C

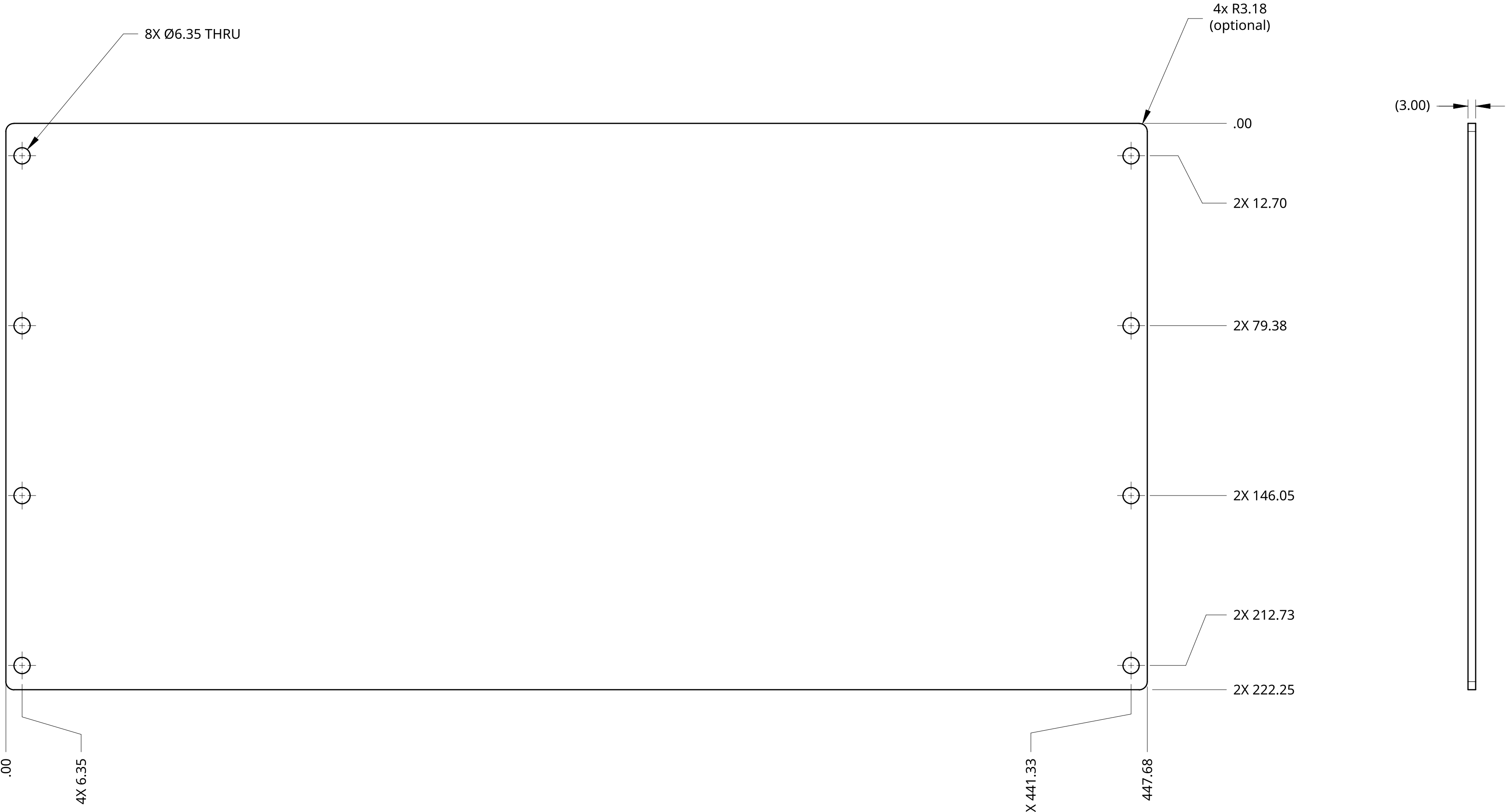
C


B

B

A

A



UNLESS OTHERWISE SPECIFIED, DIMENSIONS ARE IN MILLIMETERS .XX = ±.25 ANGULAR = ± 1° .XXX = ±.13	VEND	NAME	DATE		
	DRAWN	JO	12/10/2025		
DO NOT SCALE DRAWING	MATERIAL			TITLE	
BREAK ALL SHARP EDGES AND REMOVE BURRS	.118" POLYCARBONATE SHEET			BACK HOPPER PANEL	
PROPRIETARY AND CONFIDENTIAL THE INFORMATION CONTAINED IN THIS DRAWING IS THE SOLE PROPERTY OF FIRST . ANY REPRODUCTION IN PART OR AS A WHOLE WITHOUT THE WRITTEN PERMISSION OF FIRST IS PROHIBITED.				SIZE C	DWG NO. KB-26006
	SCALE		4:5	SHEET	1 of 1

4

3

2

1

4

3

2

1

D

D

C

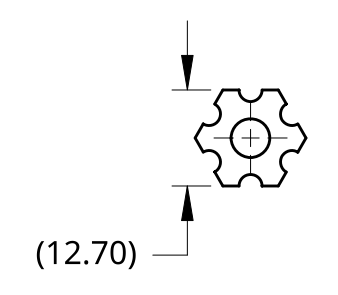
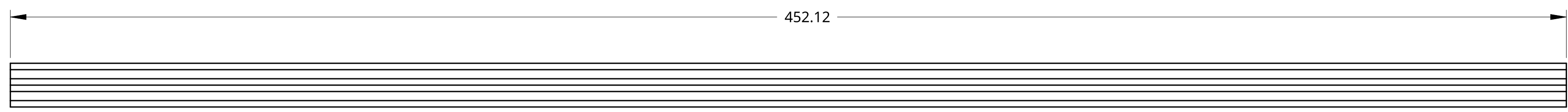
C


B

B

A

A



UNLESS OTHERWISE SPECIFIED, DIMENSIONS ARE IN MILLIMETERS .XX = ±.25 ANGULAR = ± 1° .XXX = ±.13	VEND	NAME	DATE			
	DRAWN	JO	12/10/2025			
DO NOT SCALE DRAWING	MATERIAL ANDYMARK 1/2" CHURRO EXTRUSION			TITLE BRACE SHAFT		
BREAK ALL SHARP EDGES AND REMOVE BURRS				SIZE C	DWG NO. KB-26007	REV.
PROPRIETARY AND CONFIDENTIAL THE INFORMATION CONTAINED IN THIS DRAWING IS THE SOLE PROPERTY OF FIRST® . ANY REPRODUCTION IN PART OR AS A WHOLE WITHOUT THE WRITTEN PERMISSION OF FIRST® IS PROHIBITED.				SCALE 1:1	SHEET 1 of 1	

4

3

2

1

4

3

2

1

D

D

C

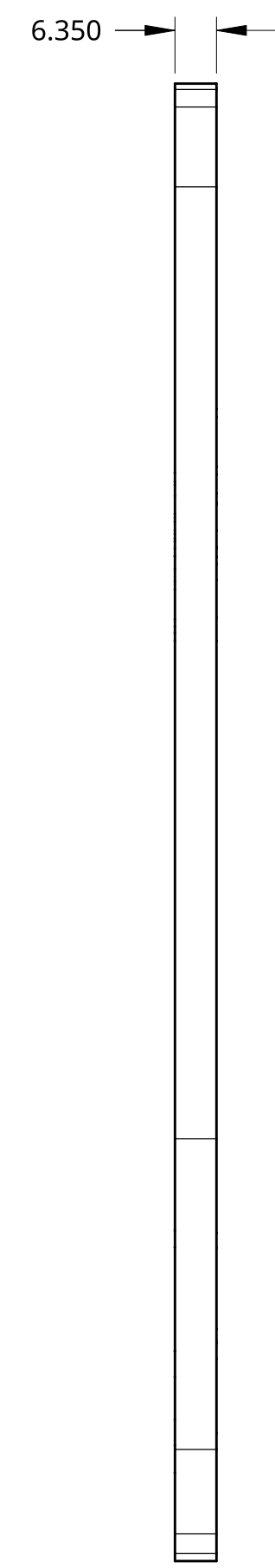
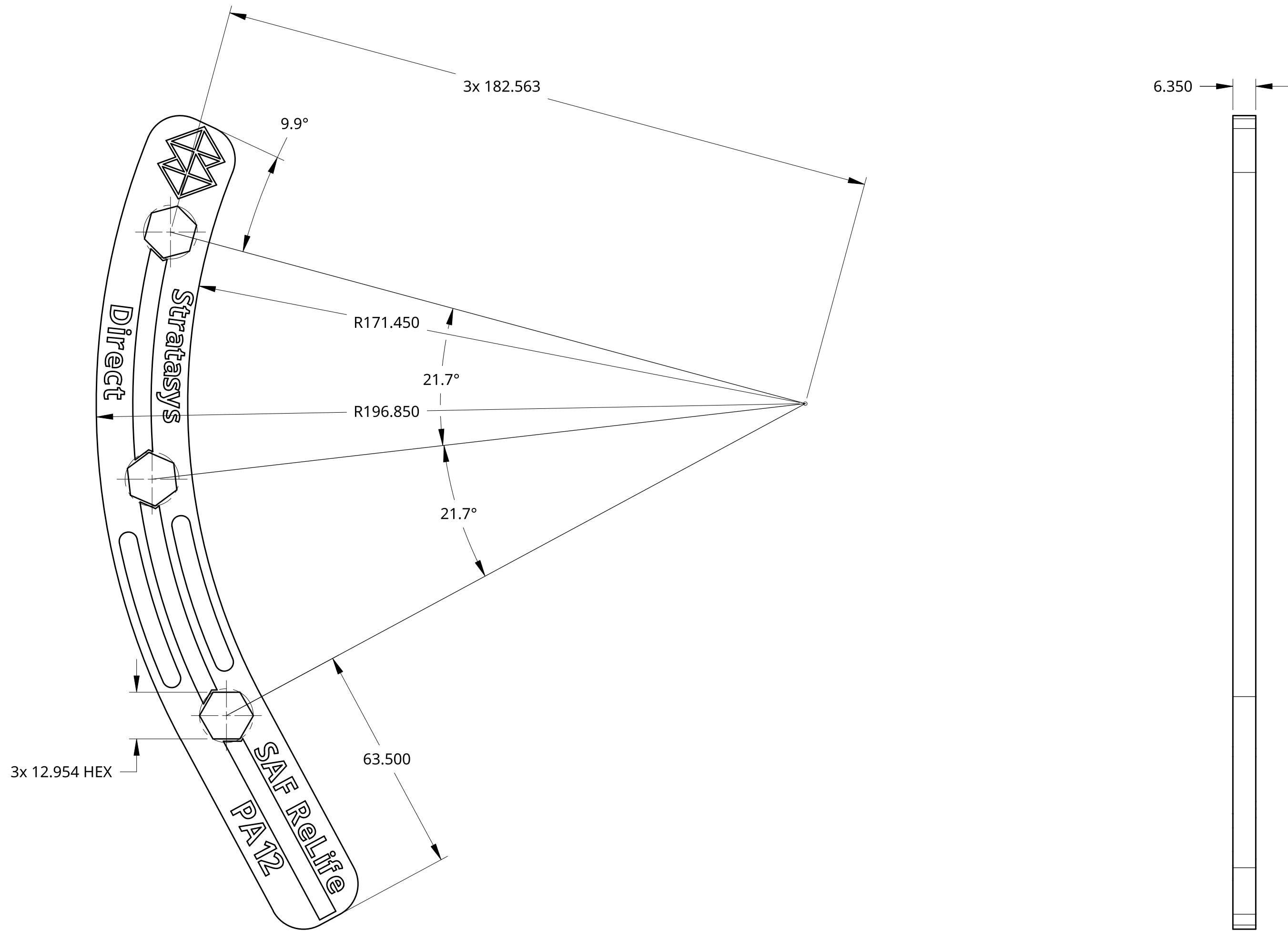
C


B

B

A

A



UNLESS OTHERWISE SPECIFIED, DIMENSIONS ARE IN MILLIMETERS .XX = ±.25 ANGULAR = ± 1° .XXX = ±.13	VEND	NAME	DATE		
	DRAWN	JO	12/10/2025		
DO NOT SCALE DRAWING	MATERIAL			TITLE	
BREAK ALL SHARP EDGES AND REMOVE BURRS	PA12 NYLON			HOOD	
PROPRIETARY AND CONFIDENTIAL THE INFORMATION CONTAINED IN THIS DRAWING IS THE SOLE PROPERTY OF FIRST®. ANY REPRODUCTION IN PART OR AS A WHOLE WITHOUT THE WRITTEN PERMISSION OF FIRST® IS PROHIBITED.				SIZE C	DWG NO. KB-26008
			SCALE 1:1	SHEET 1 of 1	REV.

4

3

2

1

4

3

2

1

D

D

C

C

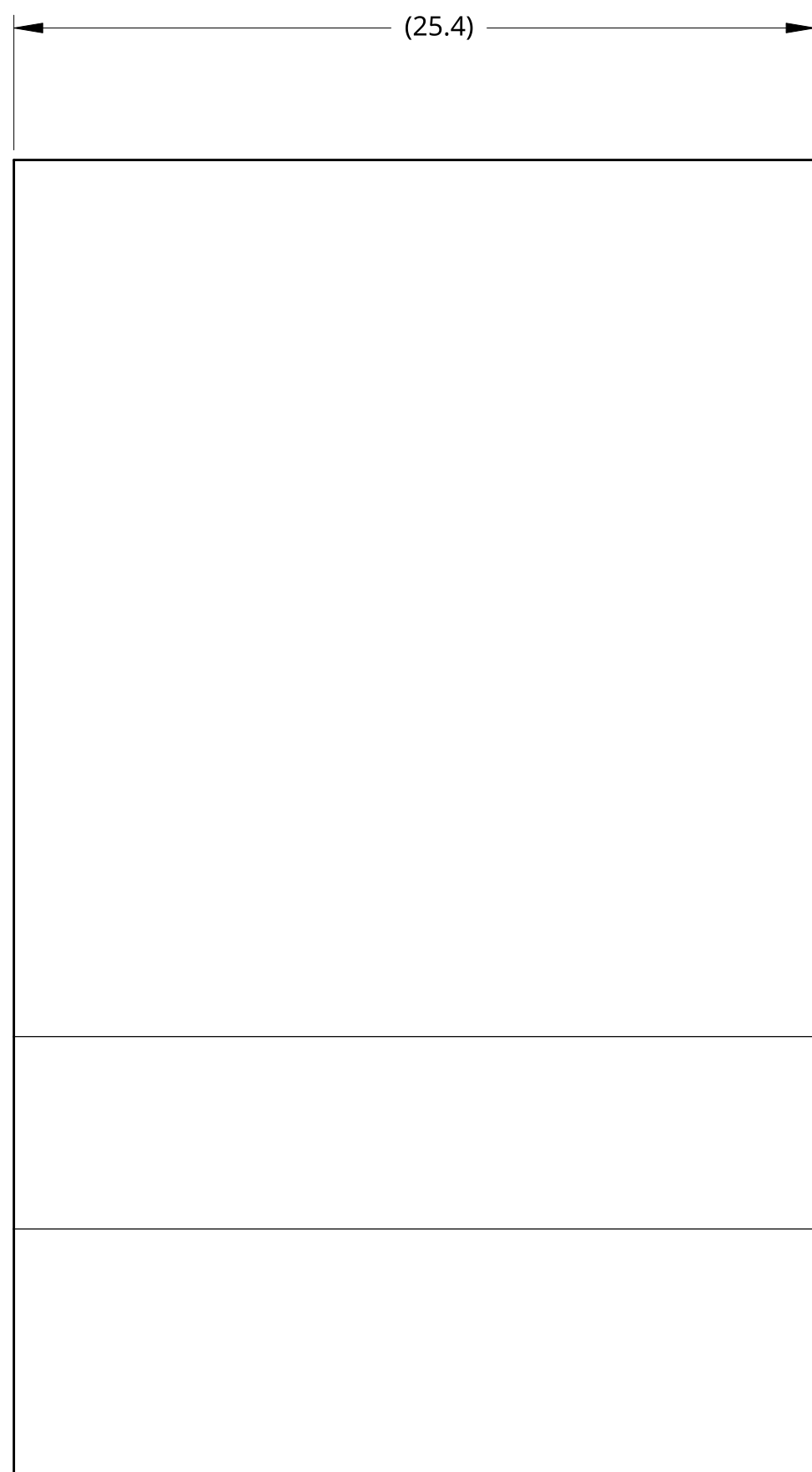
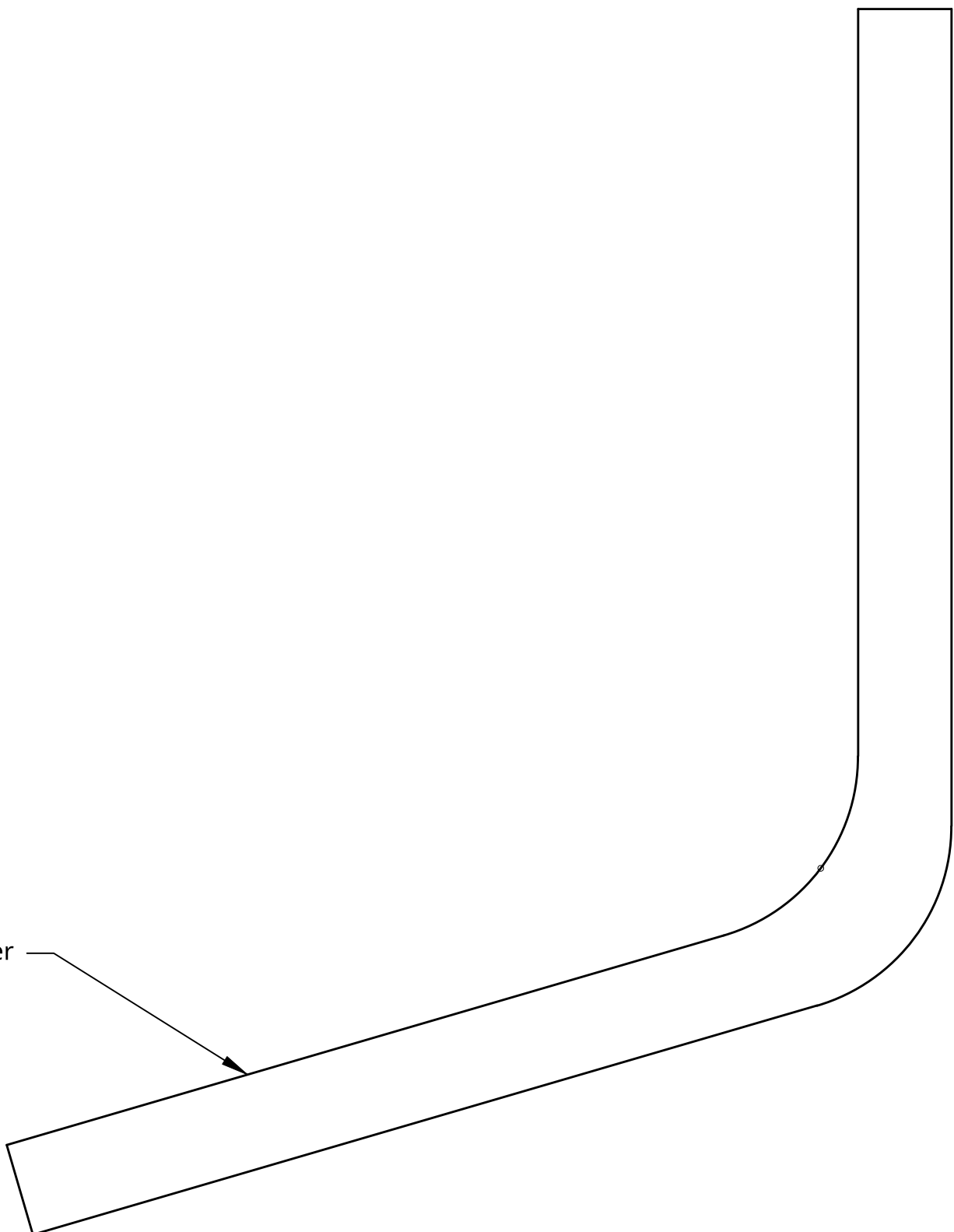
B


B

A

A

At least 50mm of Dual Lock per strip wrapped around the corner of the Hopper



UNLESS OTHERWISE SPECIFIED, DIMENSIONS ARE IN MILLIMETERS .XX = ±.25 ANGULAR = ± 1° .XXX = ±.13	VEND	NAME	DATE	
	DRAWN	JO	12/10/2025	
DO NOT SCALE DRAWING	MATERIAL			TITLE
BREAK ALL SHARP EDGES AND REMOVE BURRS	DUAL LOCK			PANEL LOCK
PROPRIETARY AND CONFIDENTIAL THE INFORMATION CONTAINED IN THIS DRAWING IS THE SOLE PROPERTY OF FIRST . ANY REPRODUCTION IN PART OR AS A WHOLE WITHOUT THE WRITTEN PERMISSION OF FIRST IS PROHIBITED.				SIZE C
	SCALE 5:1		SHEET 1 of 1	

4

3

2

1

4

3

2

1

D

D

C

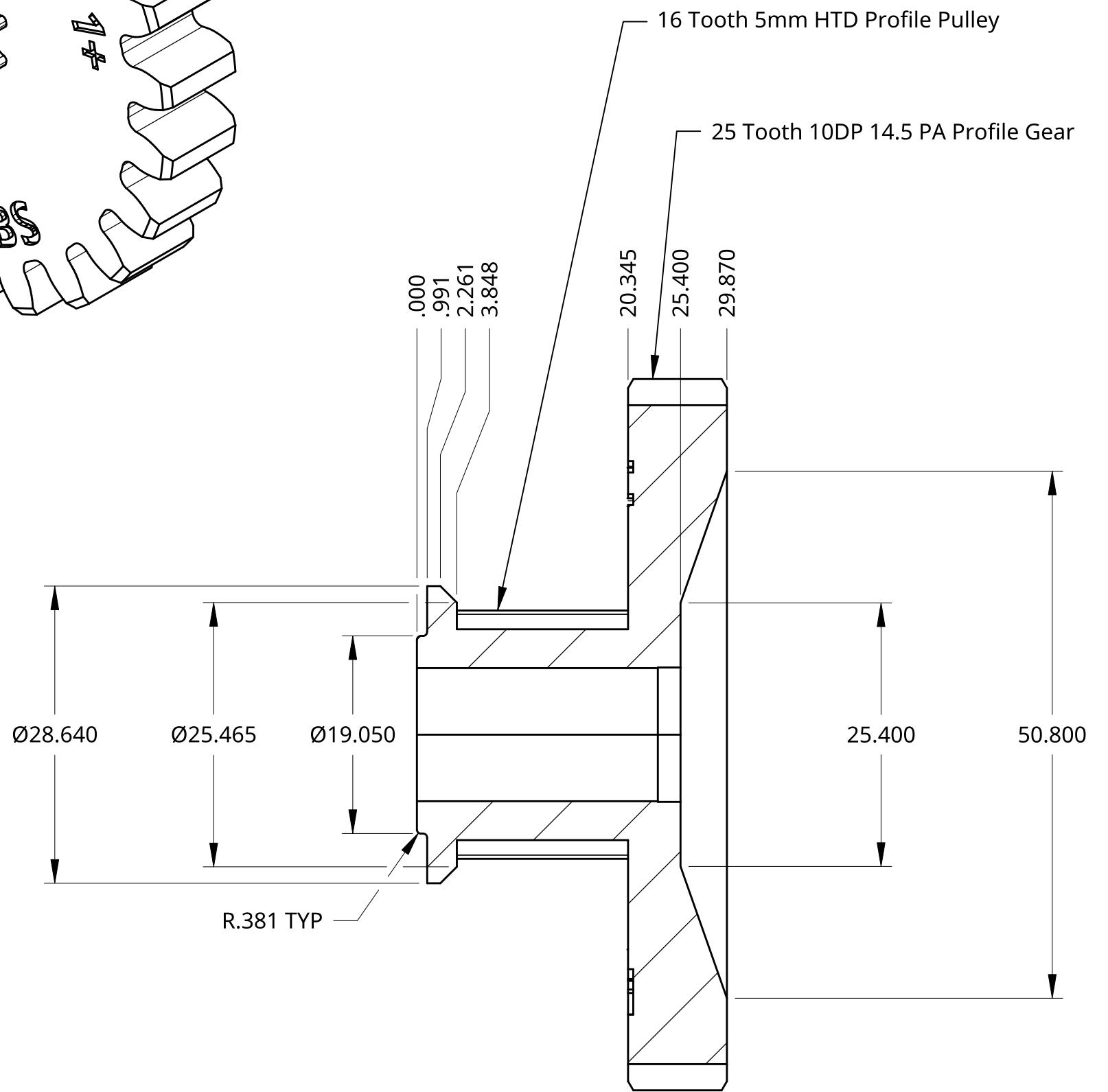
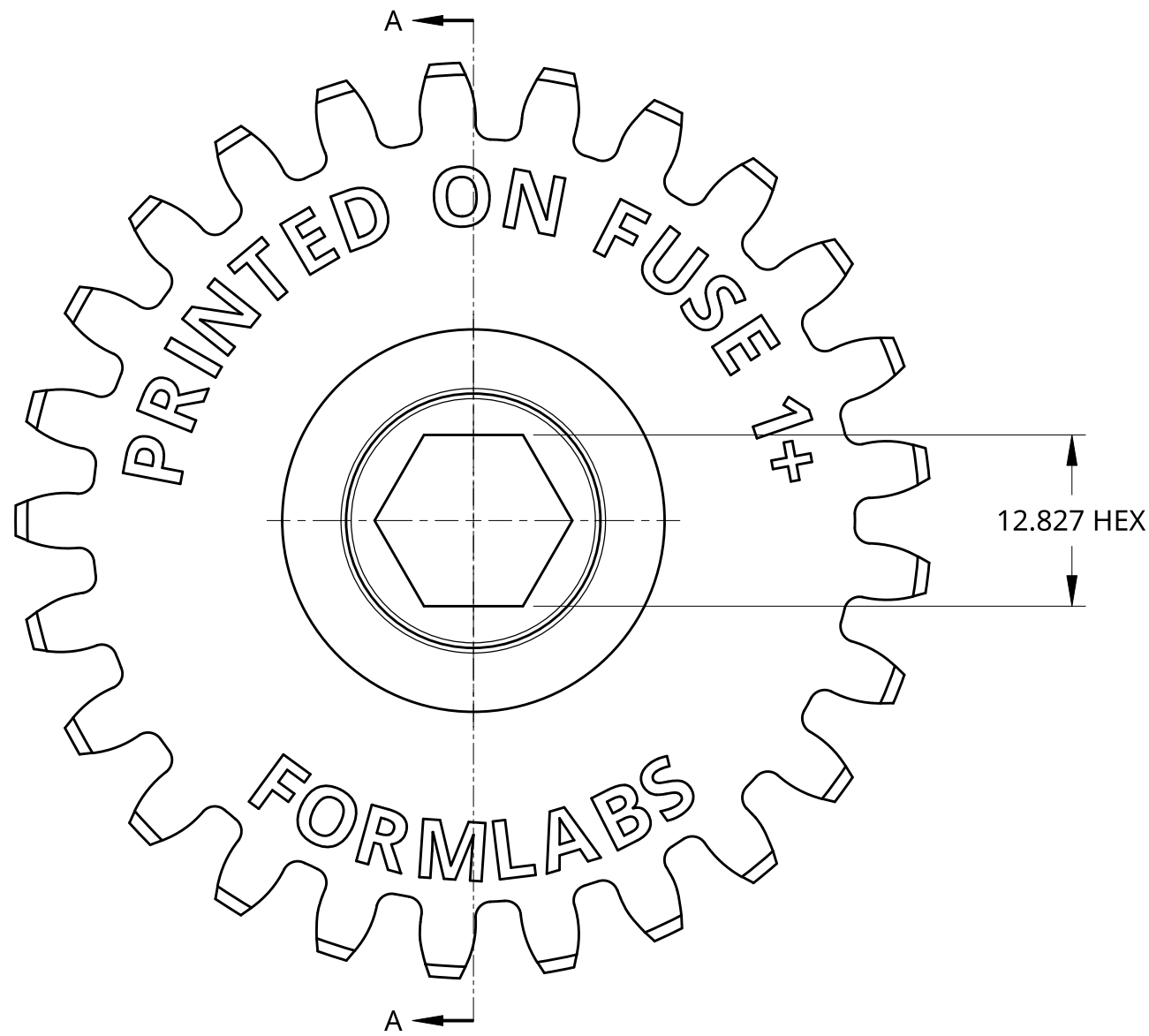
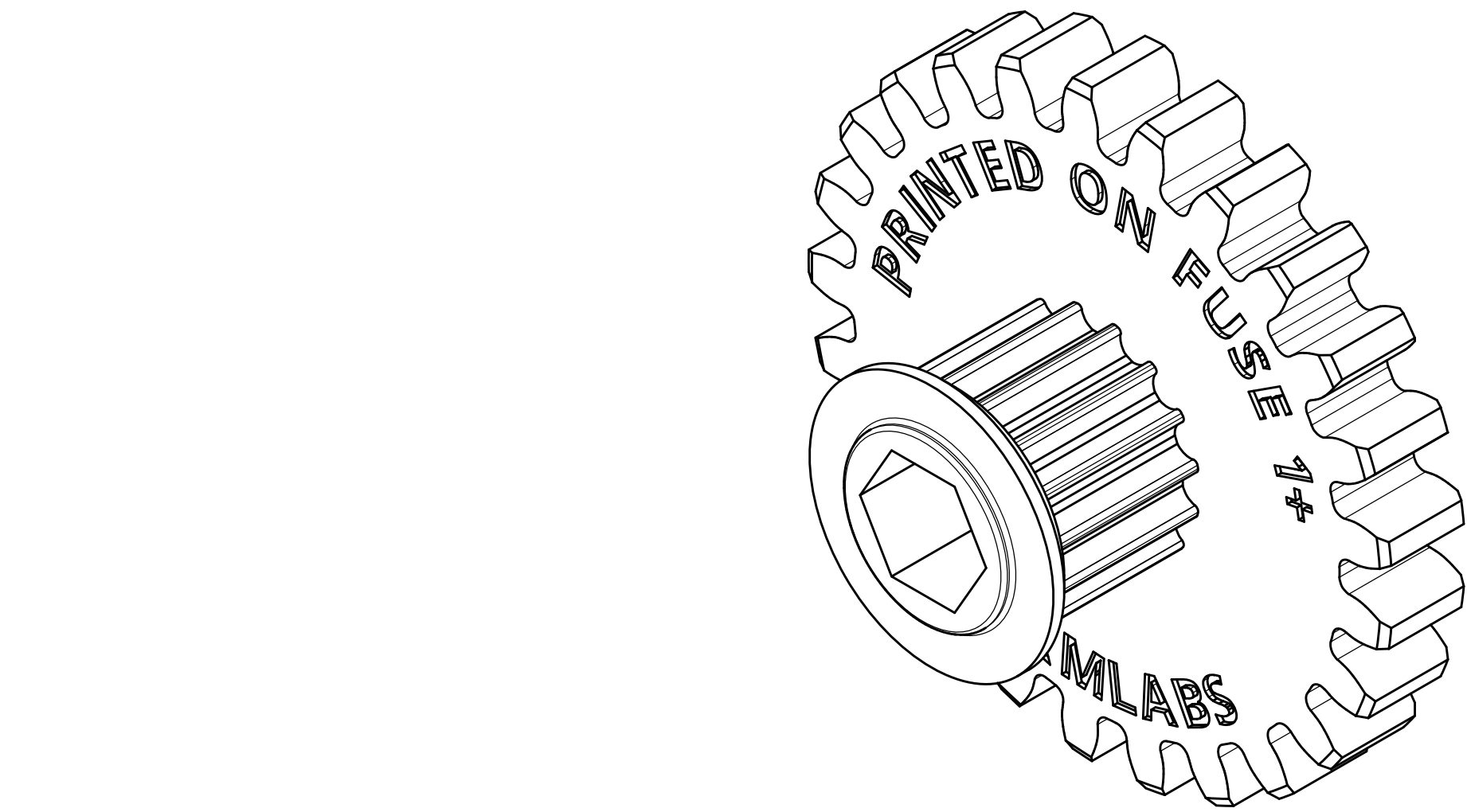
C

B


B

A

A



SECTION A - A

UNLESS OTHERWISE SPECIFIED, DIMENSIONS ARE IN MILLIMETERS .XX = ±.25 ANGULAR = ± 1° .XXX = ±.13	VEND	NAME	DATE	
	DRAWN	JO	12/10/2025	
DO NOT SCALE DRAWING	MATERIAL			TITLE
BREAK ALL SHARP EDGES AND REMOVE BURRS	NYLON 3D PRINT			LAUNCHER GEARPULLEY
PROPRIETARY AND CONFIDENTIAL THE INFORMATION CONTAINED IN THIS DRAWING IS THE SOLE PROPERTY OF FIRST®. ANY REPRODUCTION IN PART OR AS A WHOLE WITHOUT THE WRITTEN PERMISSION OF FIRST® IS PROHIBITED.	SIZE	DWG NO.	REV.	
	C	KB-26010		
	SCALE	2:1	SHEET	1 of 1

4

3

2

1

4

3

2

1

D

D

C

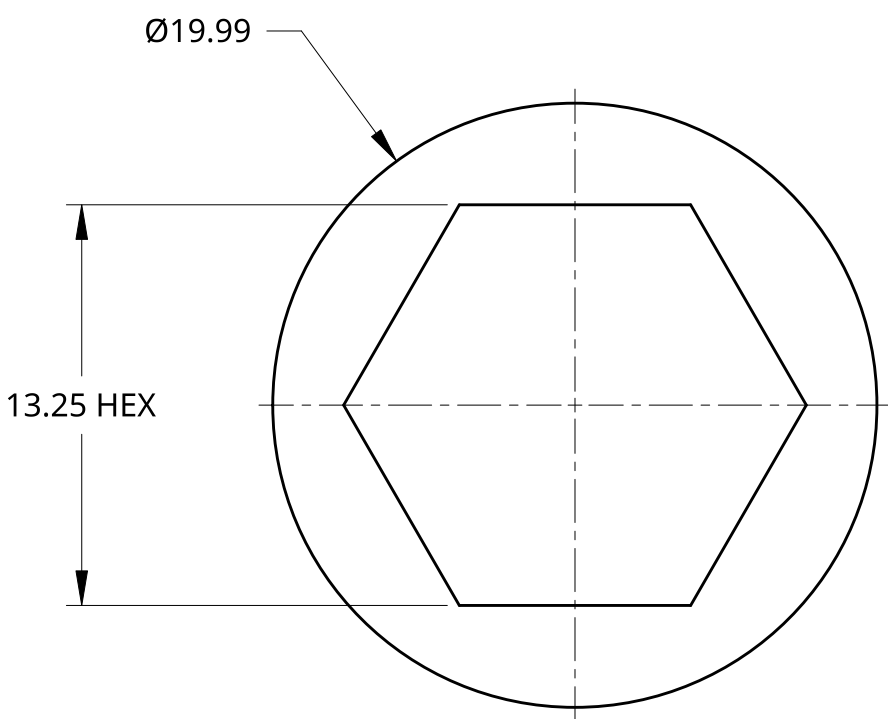
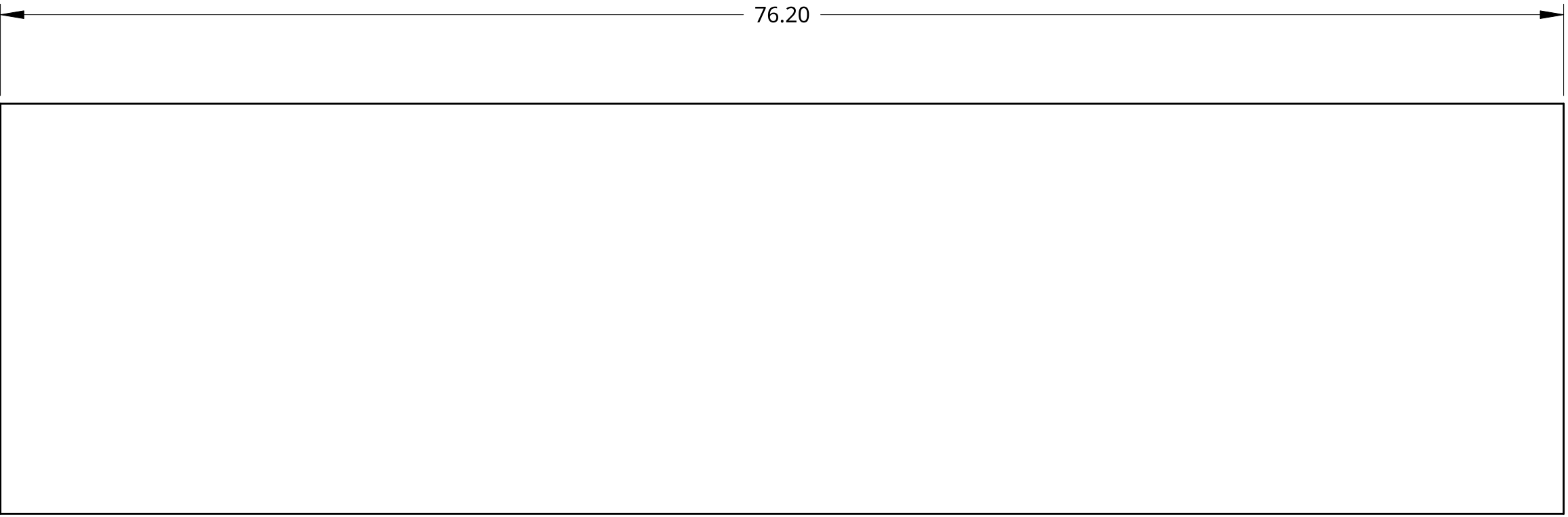
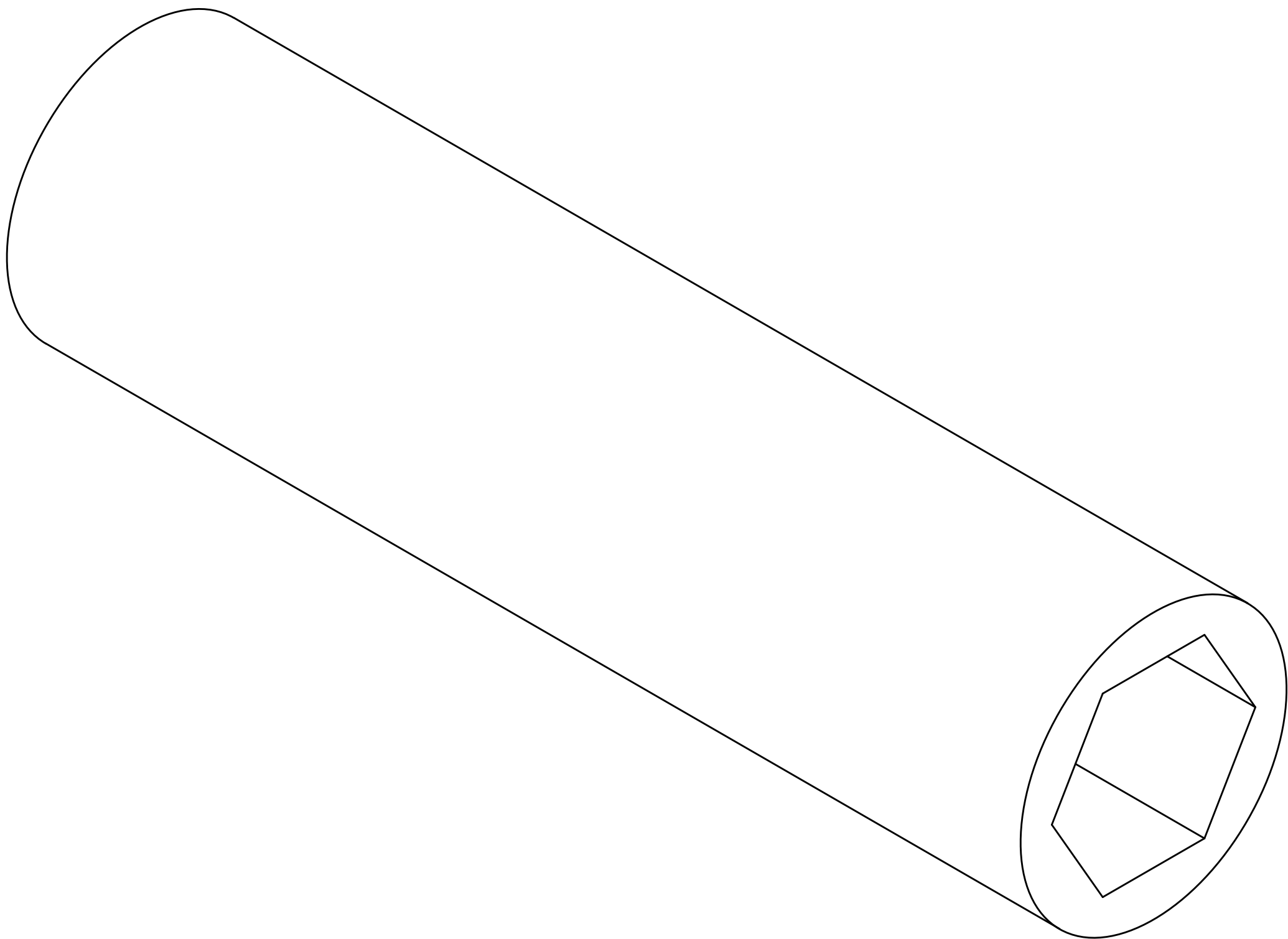
C


B

B

A

A



UNLESS OTHERWISE SPECIFIED, DIMENSIONS ARE IN MILLIMETERS .XX = ±.25 ANGULAR = ± 1° .XXX = ±.13	VEND	NAME	DATE	
	DRAWN	JO	12/10/2025	
DO NOT SCALE DRAWING	MATERIAL			TITLE
BREAK ALL SHARP EDGES AND REMOVE BURRS	PLA 3D PRINTED, PVC, OR MADE FROM COTS SPACERS			INTAKE SHAFT LONG SPACER
PROPRIETARY AND CONFIDENTIAL THE INFORMATION CONTAINED IN THIS DRAWING IS THE SOLE PROPERTY OF FIRST®. ANY REPRODUCTION IN PART OR AS A WHOLE WITHOUT THE WRITTEN PERMISSION OF FIRST® IS PROHIBITED.	SCALE			SIZE C DWG NO. KB-26011 REV. SCALE 4:1 SHEET 1 of 1

4

3

2

1

4

3

2

1

D

D

C

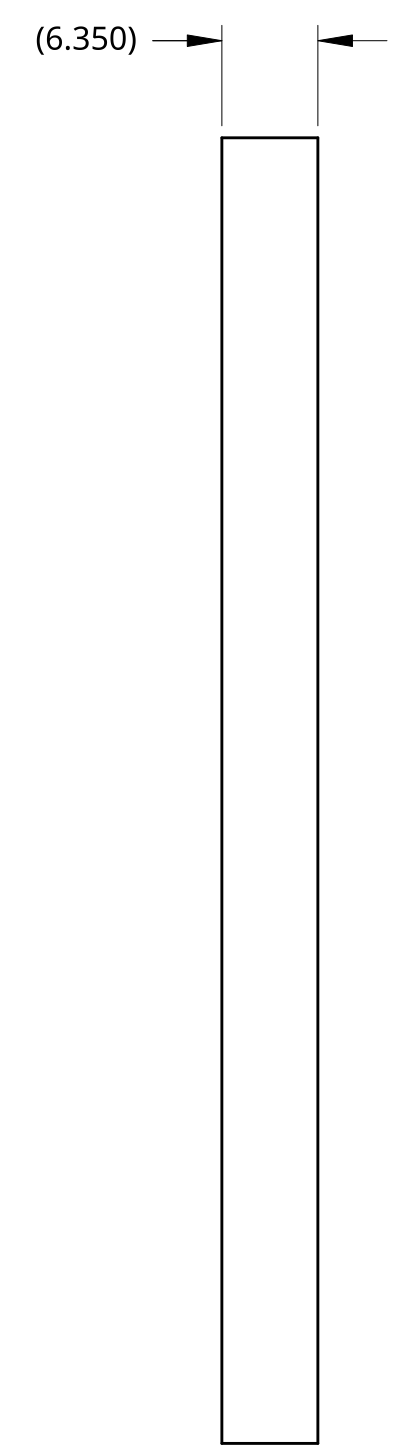
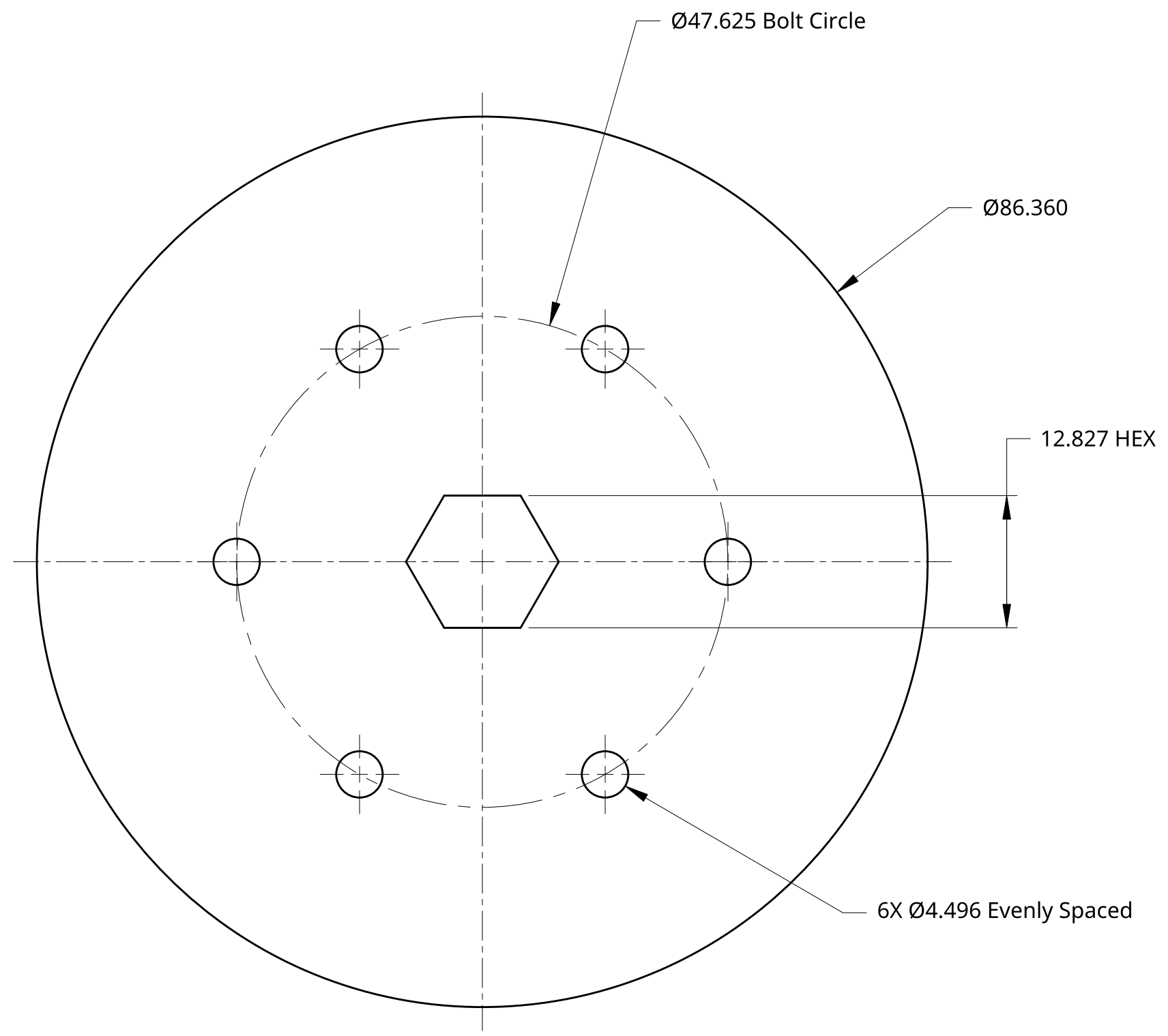
C


B

B

A

A



UNLESS OTHERWISE SPECIFIED, DIMENSIONS ARE IN MILLIMETERS .XX = ±.25 ANGULAR = ± 1° .XXX = ±.13	VEND	NAME	DATE	
	DRAWN	JO	12/10/2025	
DO NOT SCALE DRAWING	MATERIAL			TITLE
BREAK ALL SHARP EDGES AND REMOVE BURRS	1/4" STEEL PLATE			LAUNCHER FLYWHEEL
PROPRIETARY AND CONFIDENTIAL THE INFORMATION CONTAINED IN THIS DRAWING IS THE SOLE PROPERTY OF FIRST . ANY REPRODUCTION IN PART OR AS A WHOLE WITHOUT THE WRITTEN PERMISSION OF FIRST IS PROHIBITED.				SIZE C
	SCALE	1:1	SHEET	1 of 1

4

3

2

1

4

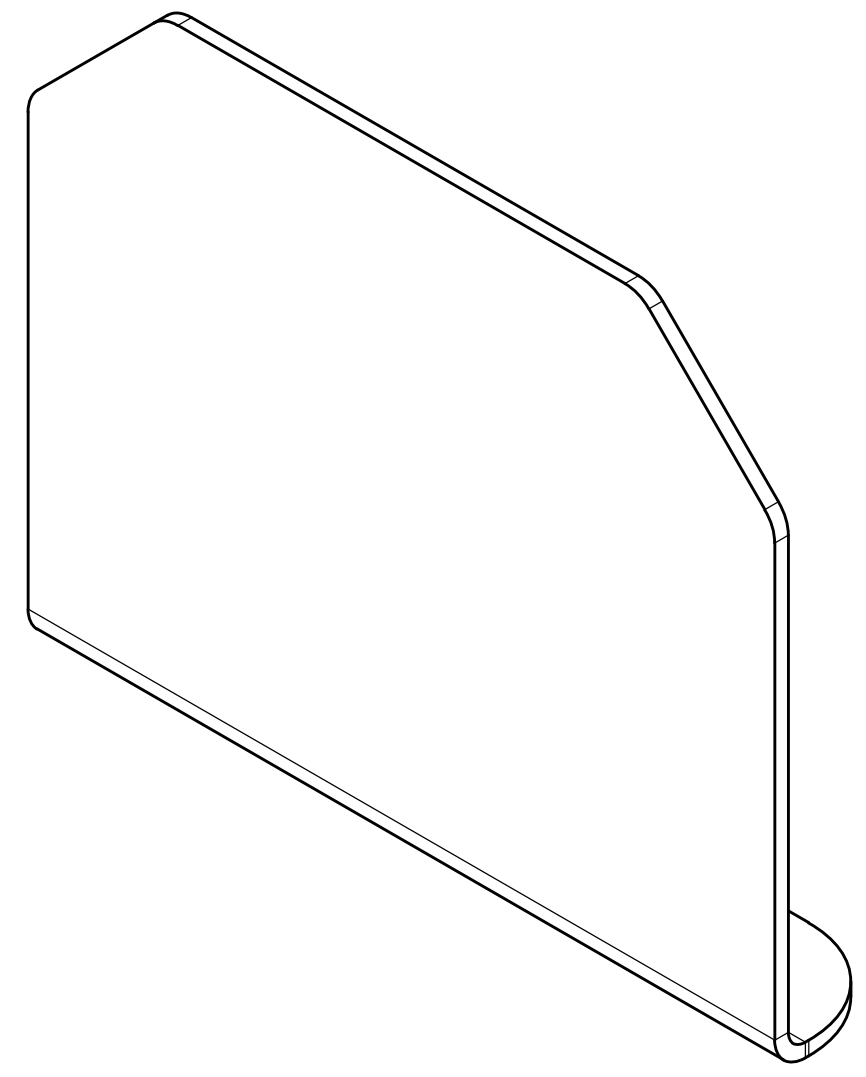
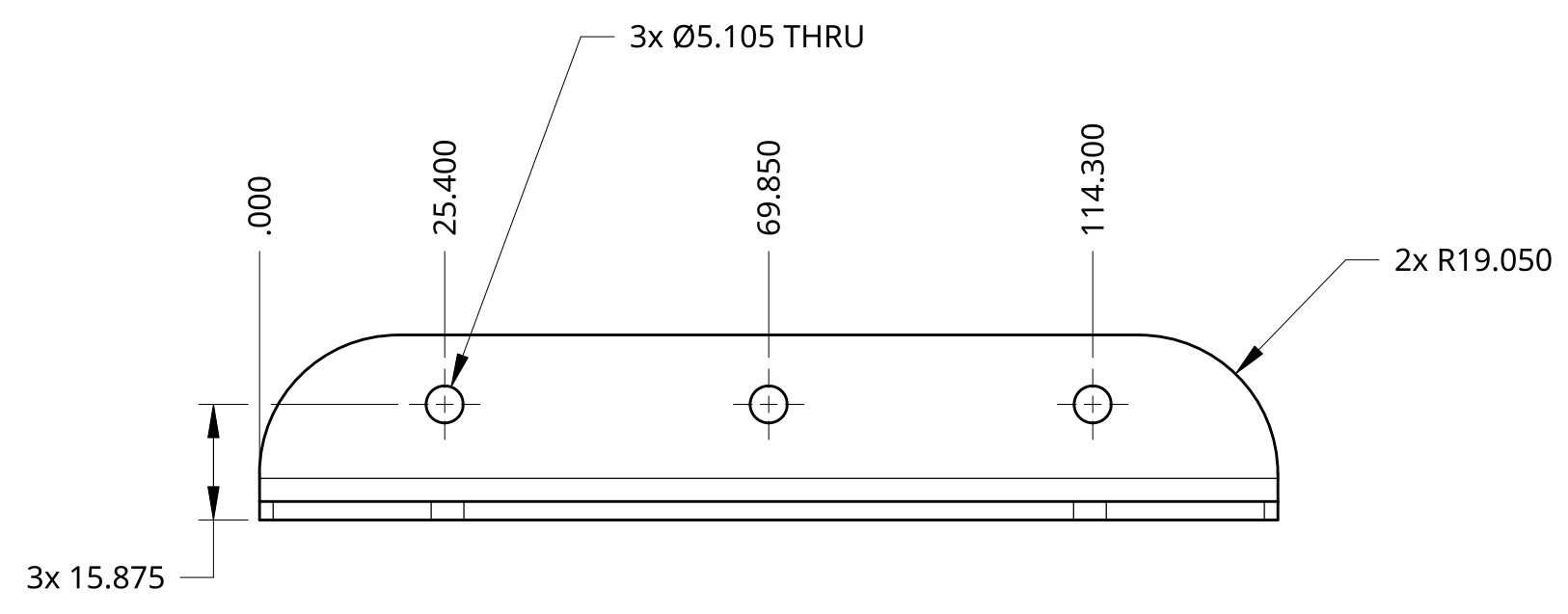
3

2

1

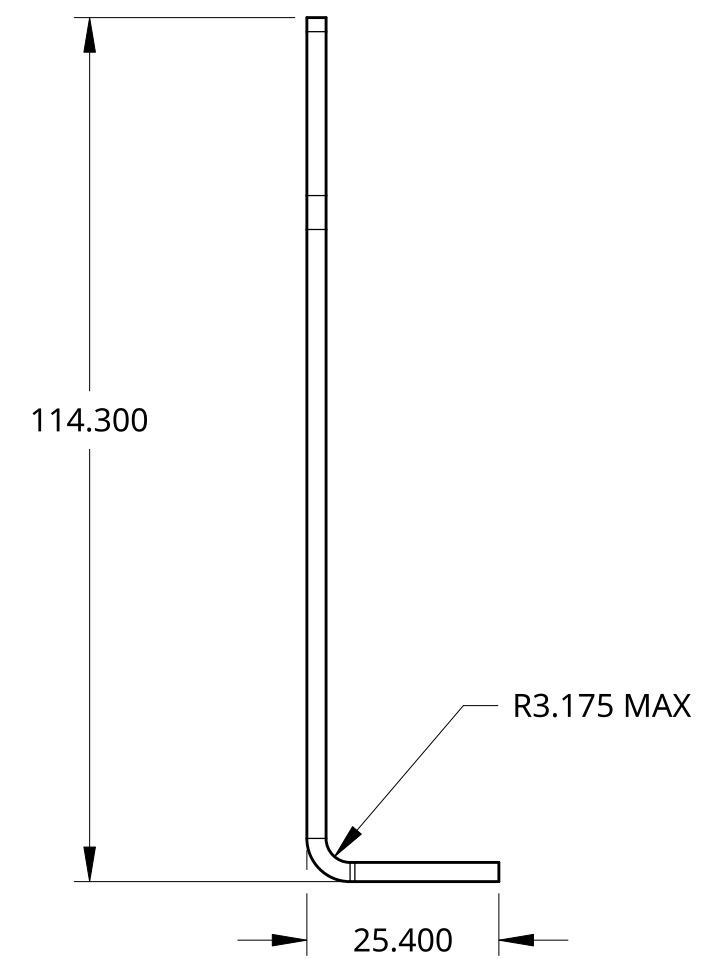
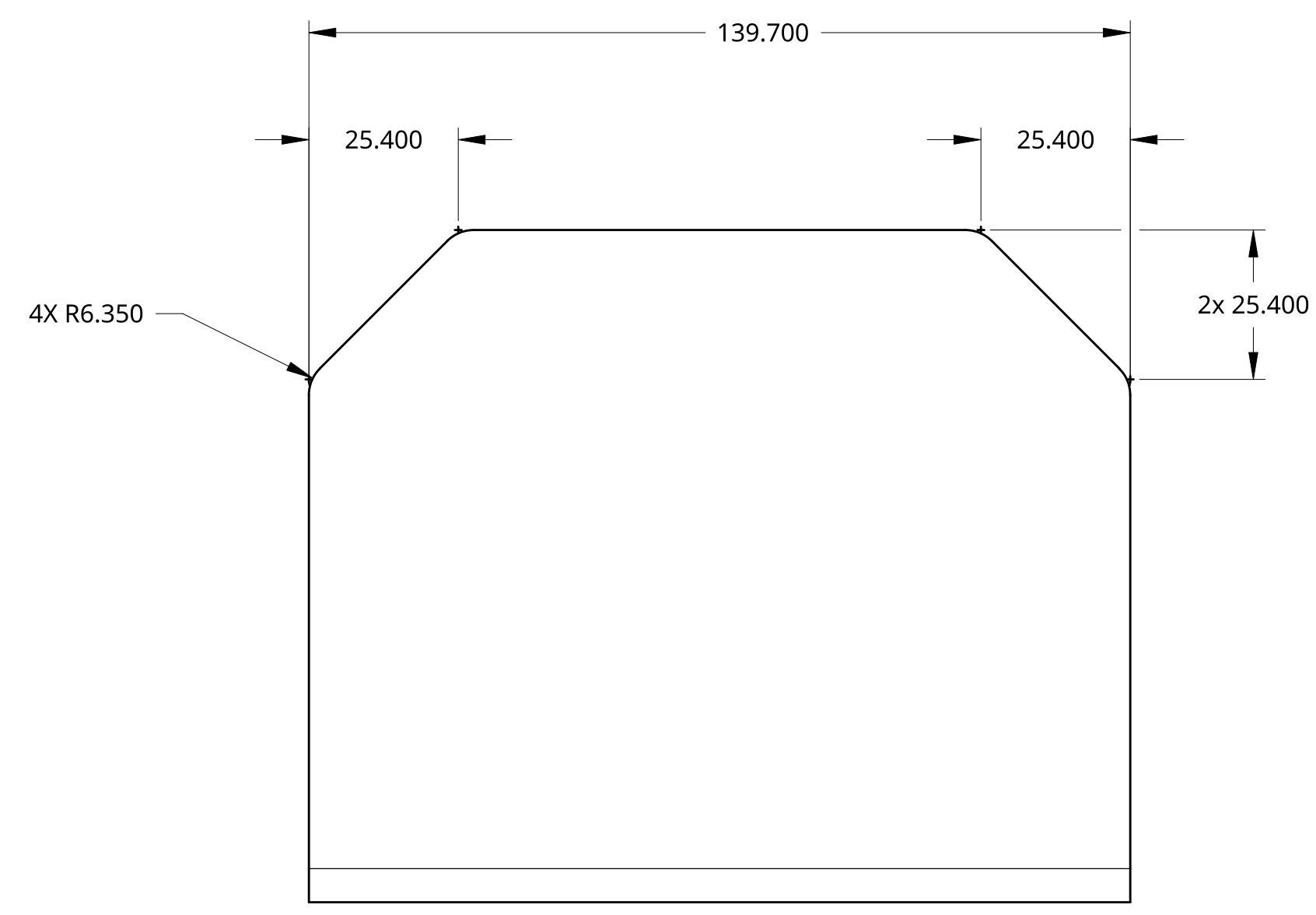
D

D



C

C




B

B

A

A

UNLESS OTHERWISE SPECIFIED, DIMENSIONS ARE IN MILLIMETERS .XX = ±.25 ANGULAR = ± 1° .XXX = ±.13	VEND	NAME	DATE	
	DRAWN	JO	12/10/2025	
DO NOT SCALE DRAWING	MATERIAL			TITLE
BREAK ALL SHARP EDGES AND REMOVE BURRS	.100" 5052 ALUMINUM PLATE			INTAKE GUIDE
PROPRIETARY AND CONFIDENTIAL THE INFORMATION CONTAINED IN THIS DRAWING IS THE SOLE PROPERTY OF FIRST®. ANY REPRODUCTION IN PART OR AS A WHOLE WITHOUT THE WRITTEN PERMISSION OF FIRST® IS PROHIBITED.				SIZE
	C	KB-26013		
	SCALE	1:1	SHEET	1 of 1

4

3

2

1

4

3

2

1

D

D

C

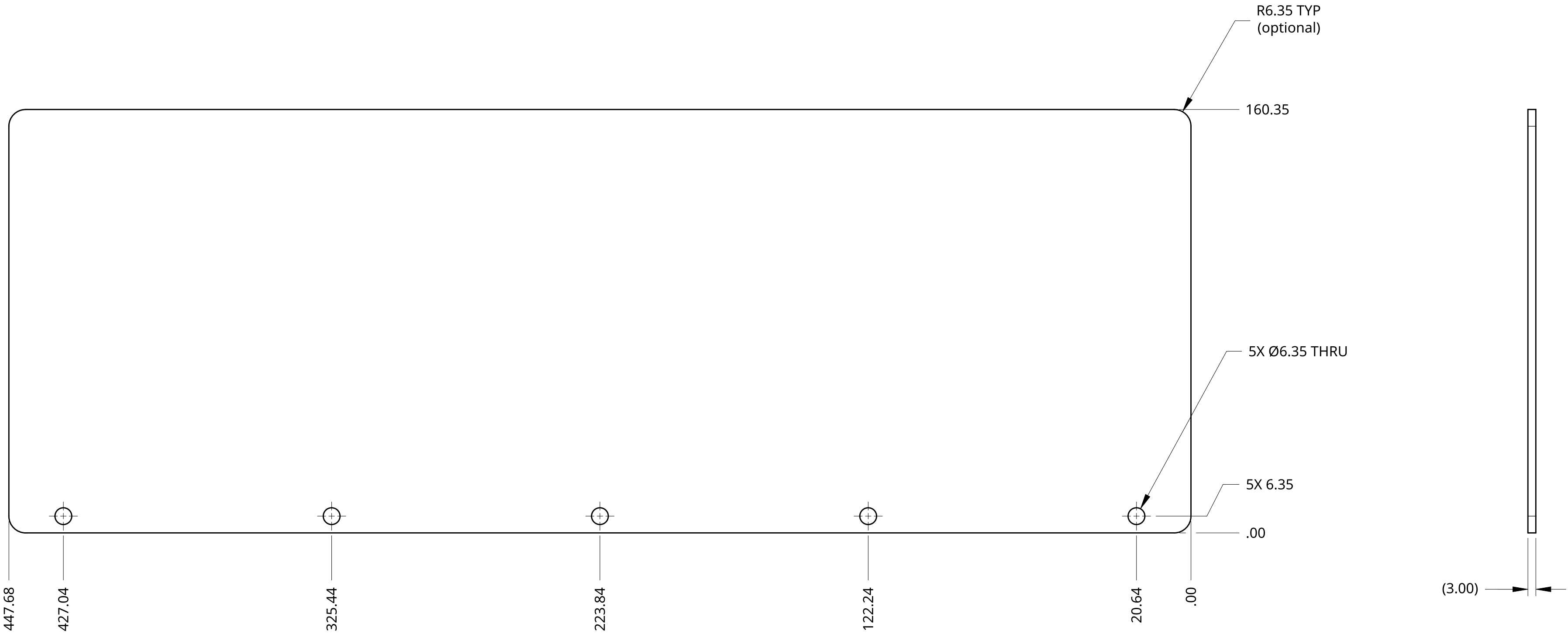
C


B

B

A

A



UNLESS OTHERWISE SPECIFIED, DIMENSIONS ARE IN MILLIMETERS .XX = ±.25 ANGULAR = ± 1° .XXX = ±.13	VEND	NAME	DATE	
	DRAWN	JO	12/10/2025	
DO NOT SCALE DRAWING	MATERIAL			TITLE
BREAK ALL SHARP EDGES AND REMOVE BURRS	.118" POLYCARBONATE SHEET			BATTERY ACCESS PANEL
PROPRIETARY AND CONFIDENTIAL THE INFORMATION CONTAINED IN THIS DRAWING IS THE SOLE PROPERTY OF FIRST . ANY REPRODUCTION IN PART OR AS A WHOLE WITHOUT THE WRITTEN PERMISSION OF FIRST IS PROHIBITED.				SIZE C SCALE 4:5

4

3

2

1

D

D

C

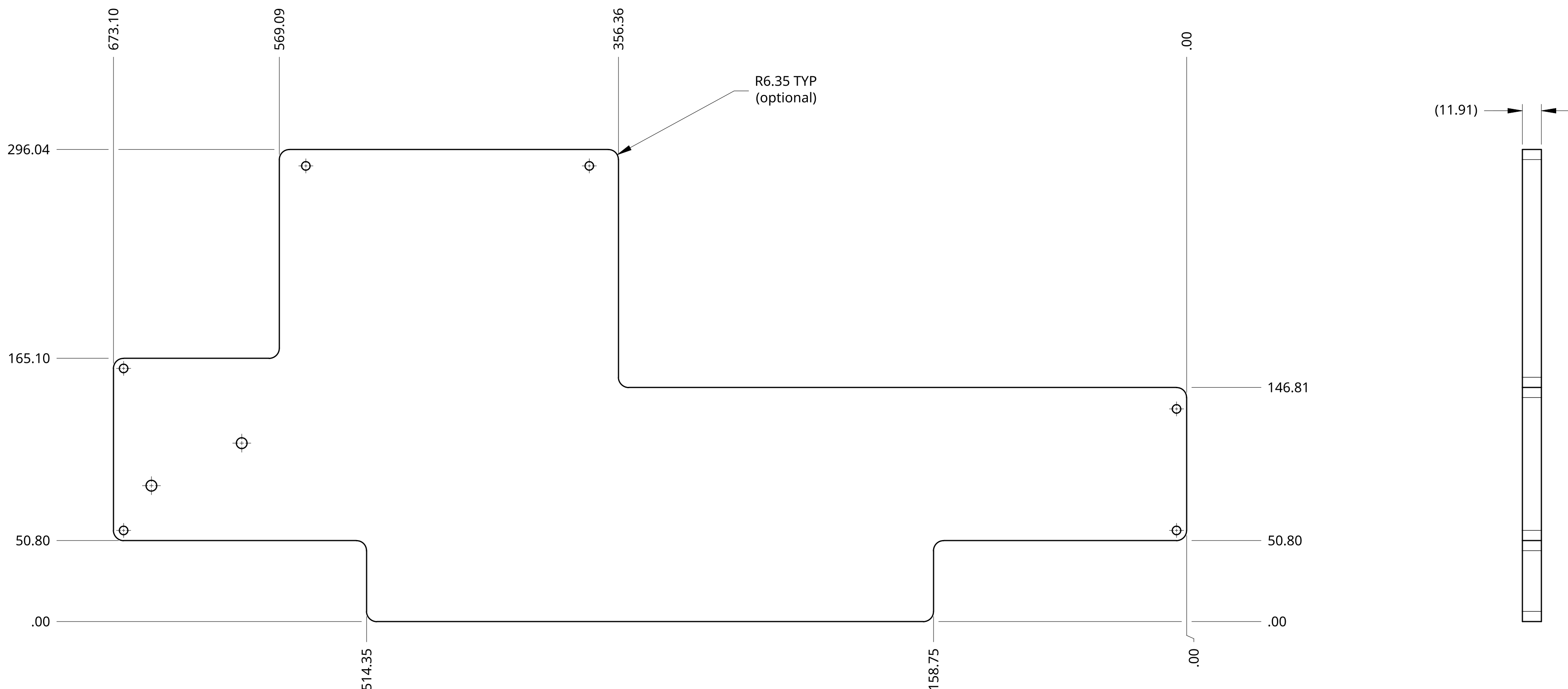
C


B

B

A

A



UNLESS OTHERWISE SPECIFIED, DIMENSIONS ARE IN MILLIMETERS .XX = ±.25 ANGULAR = ± 1° .XXX = ±.13	VEND	NAME	DATE	
	DRAWN	JO	12/10/2025	
DO NOT SCALE DRAWING	MATERIAL		TITLE	
BREAK ALL SHARP EDGES AND REMOVE BURRS	1/2" PLYWOOD		ELECTRONICS PANEL	
PROPRIETARY AND CONFIDENTIAL THE INFORMATION CONTAINED IN THIS DRAWING IS THE SOLE PROPERTY OF FIRST . ANY REPRODUCTION IN PART OR AS A WHOLE WITHOUT THE WRITTEN PERMISSION OF FIRST IS PROHIBITED.			SIZE C DWG NO. KB-26015 REV.	
SCALE 1:2			SHEET 1 of 2	

4

3

2

1

4

3

2

1

D

D

C

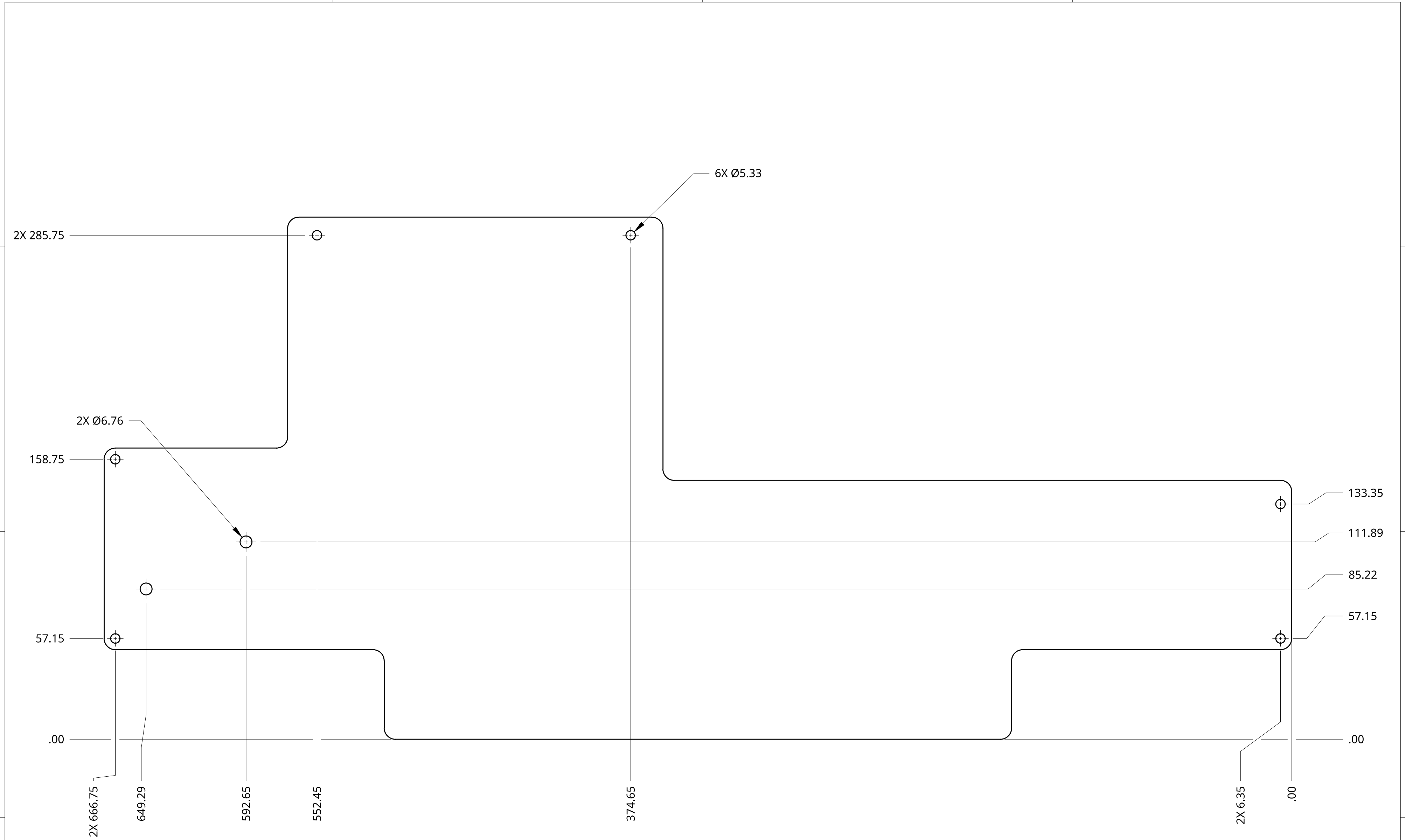
C

B


B

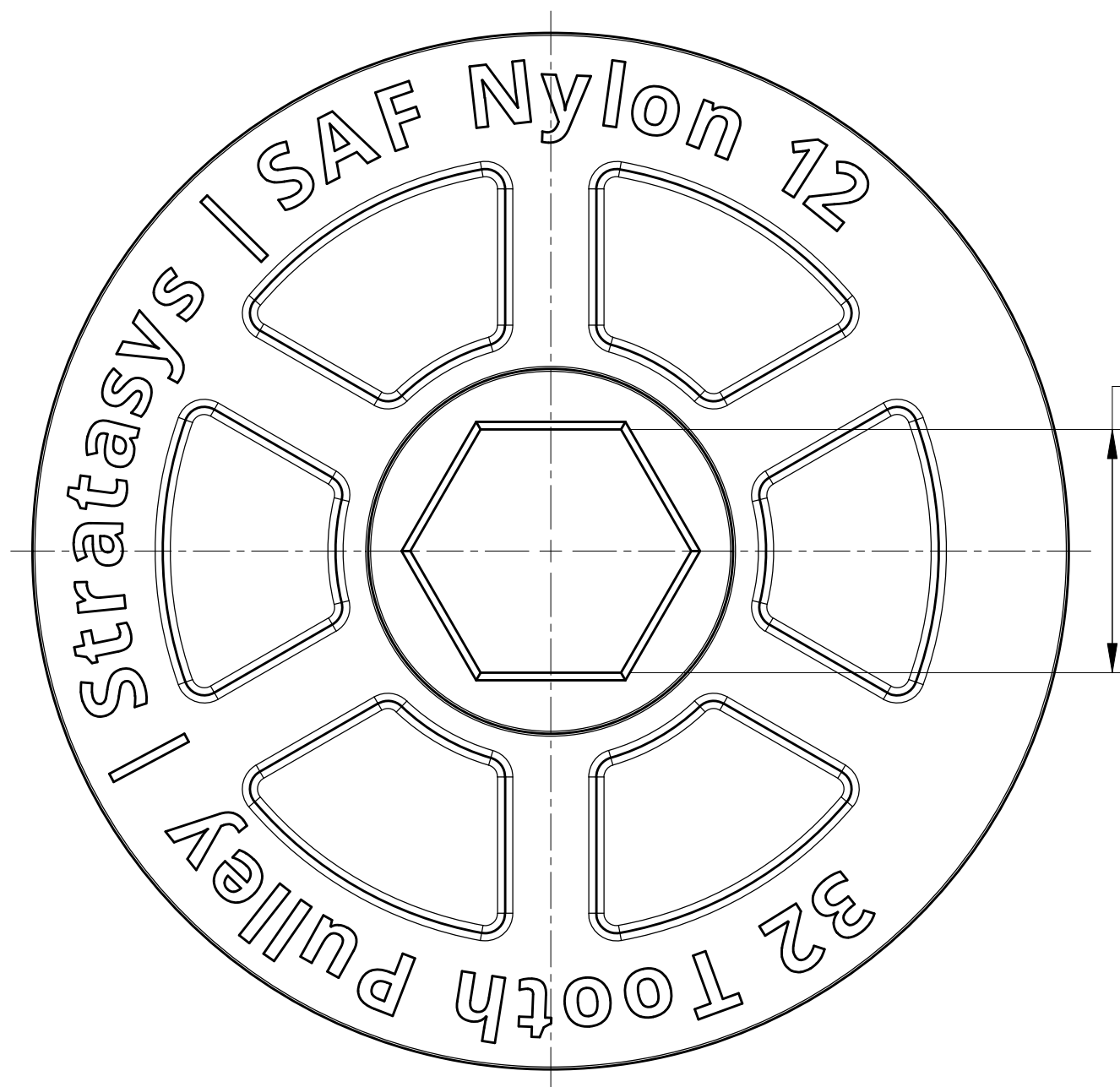
A

A

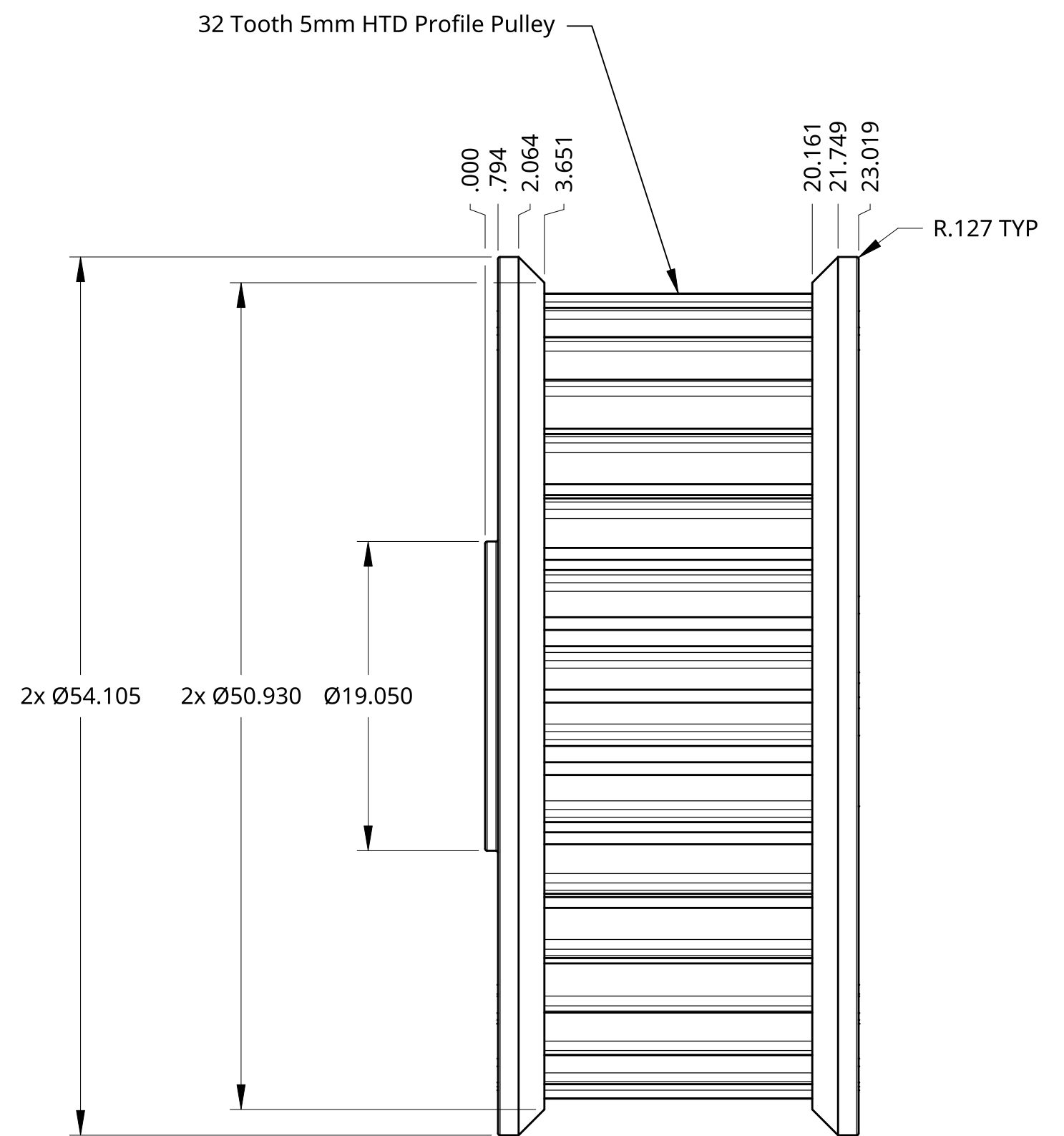


NOTE: All Holes can be marked for drilling by using the robot frame and electronics rather than measuring exact positions

UNLESS OTHERWISE SPECIFIED, DIMENSIONS ARE IN MILLIMETERS .XX = ±.25 ANGULAR = ± 1° .XXX = ±.13	VEND	NAME	DATE	
	DRAWN	JO	12/10/2025	
DO NOT SCALE DRAWING	MATERIAL			TITLE
BREAK ALL SHARP EDGES AND REMOVE BURRS	1/2" PLYWOOD			ELECTRONICS PANEL
PROPRIETARY AND CONFIDENTIAL THE INFORMATION CONTAINED IN THIS DRAWING IS THE SOLE PROPERTY OF FIRST® . ANY REPRODUCTION IN PART OR AS A WHOLE WITHOUT THE WRITTEN PERMISSION OF FIRST® IS PROHIBITED.				SIZE
	C	KB-26015		
	SCALE	2:3	SHEET 2 of 2	




12.700 HEX with lead in Chamfer



32 Tooth 5mm HTD Profile Pulley

R.127 TYP

2x Ø54.105 2x Ø50.930 Ø19.050

UNLESS OTHERWISE SPECIFIED, DIMENSIONS ARE IN MILLIMETERS .XX = ±.25 ANGULAR = ± 1° .XXX = ±.13	VEND	NAME	DATE	
	DRAWN	JO	12/10/2025	
DO NOT SCALE DRAWING	MATERIAL			TITLE
BREAK ALL SHARP EDGES AND REMOVE BURRS	SAF-PA12			TRANSITION PULLEY
PROPRIETARY AND CONFIDENTIAL THE INFORMATION CONTAINED IN THIS DRAWING IS THE SOLE PROPERTY OF FIRST®. ANY REPRODUCTION IN PART OR AS A WHOLE WITHOUT THE WRITTEN PERMISSION OF FIRST® IS PROHIBITED.	SIZE		DWG NO.	REV.
	C		KB-26016	
	SCALE		3:1	SHEET 1 of 1

4

3

2

1

D

D

C

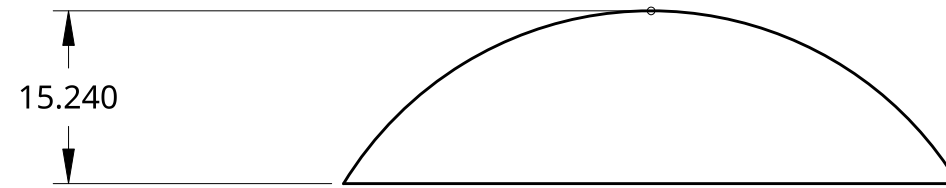
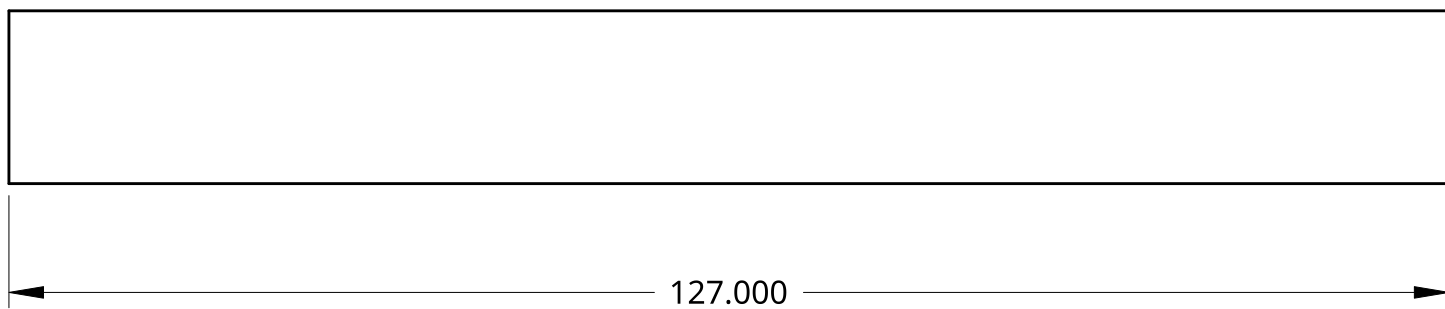
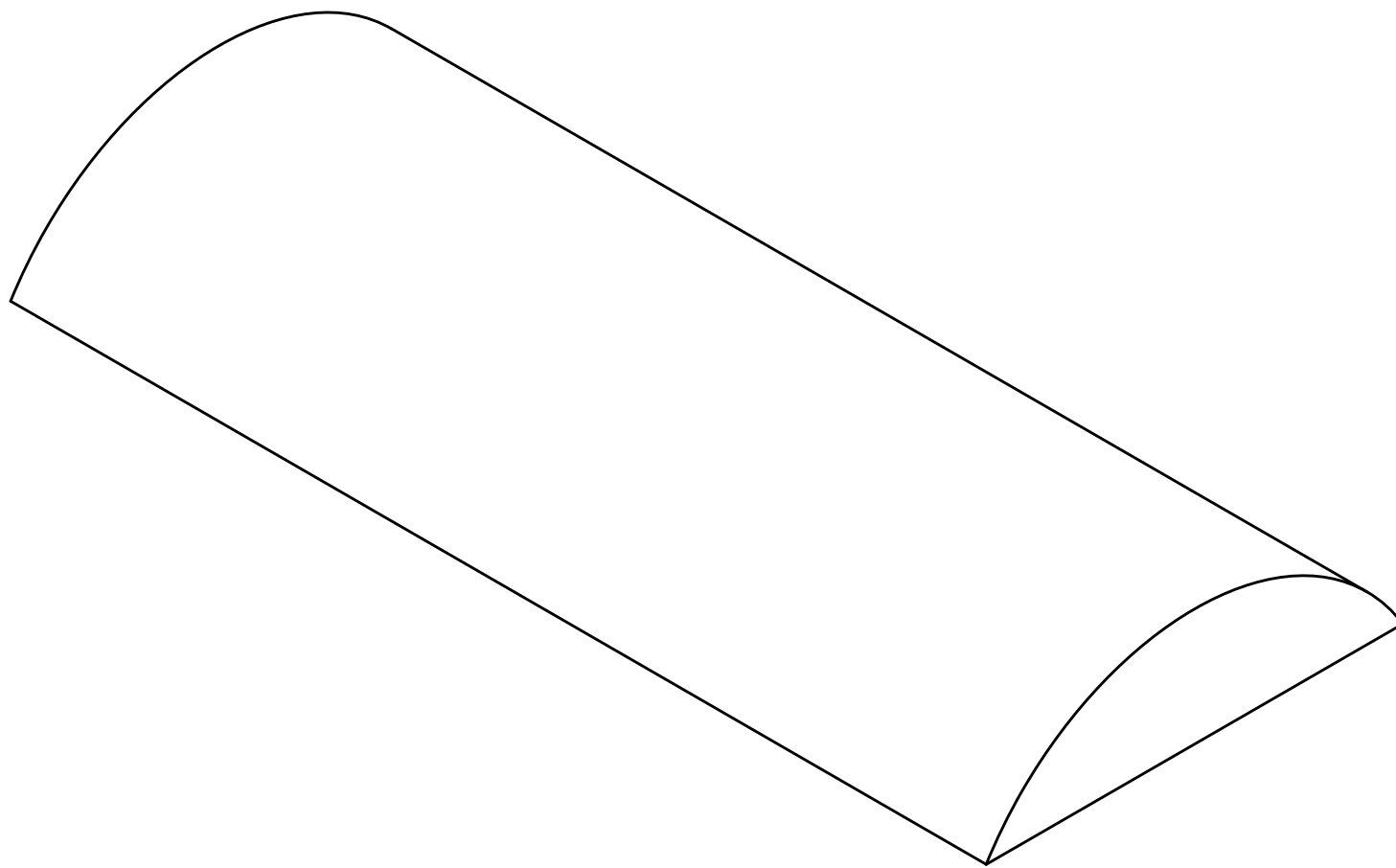
C

B


B

A

A



Note: This dimension may need to be altered based on testing.

UNLESS OTHERWISE SPECIFIED, DIMENSIONS ARE IN MILLIMETERS .XX = ±.25 ANGULAR = ± 1° .XXX = ±.13	VEND	NAME	DATE	
	DRAWN	JO	12/10/2025	
DO NOT SCALE DRAWING	MATERIAL			TITLE
BREAK ALL SHARP EDGES AND REMOVE BURRS	KIT OF PARTS 2.5" POOL NOODLE			DEAD ZONE NOODLE
PROPRIETARY AND CONFIDENTIAL THE INFORMATION CONTAINED IN THIS DRAWING IS THE SOLE PROPERTY OF FIRST . ANY REPRODUCTION IN PART OR AS A WHOLE WITHOUT THE WRITTEN PERMISSION OF FIRST IS PROHIBITED.				SCALE
				SIZE: C DWG NO.: KB-26017 REV.:

4

3

2

1

4

3

2

1

D

D

C

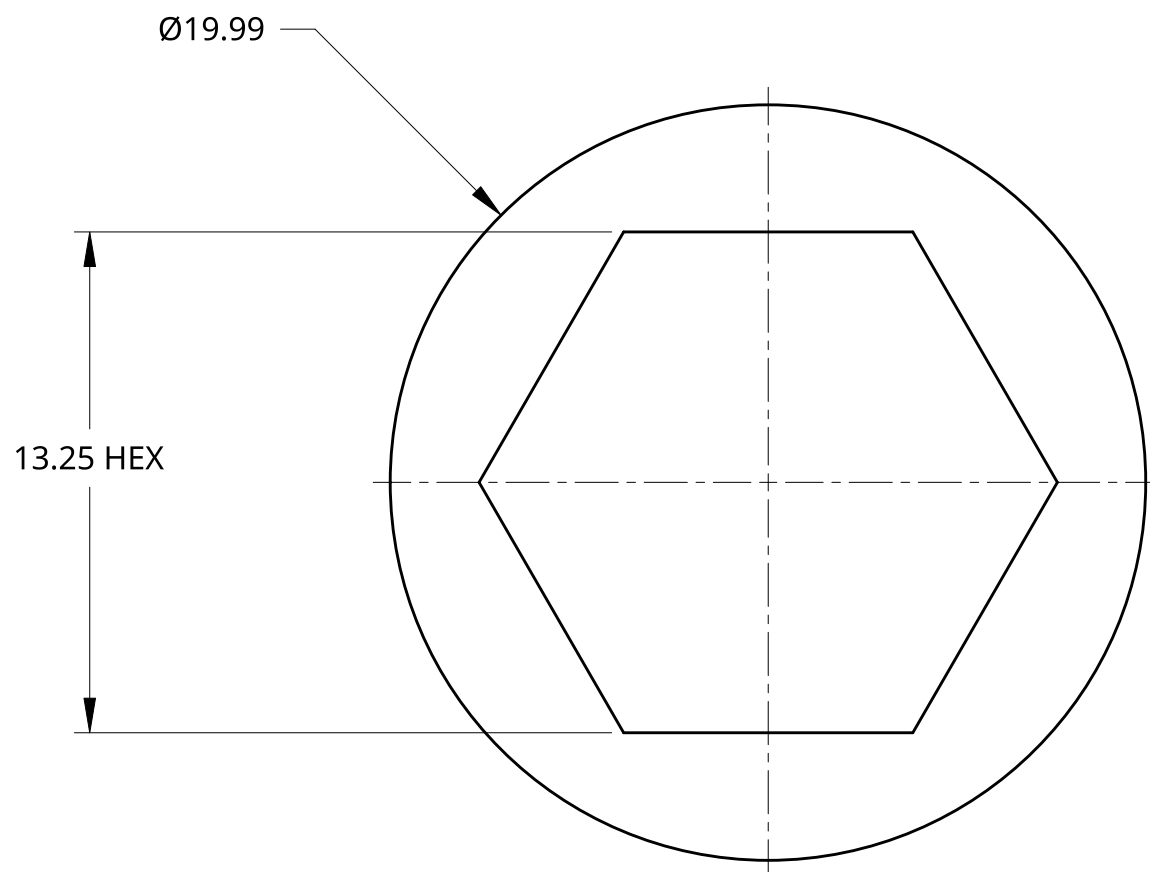
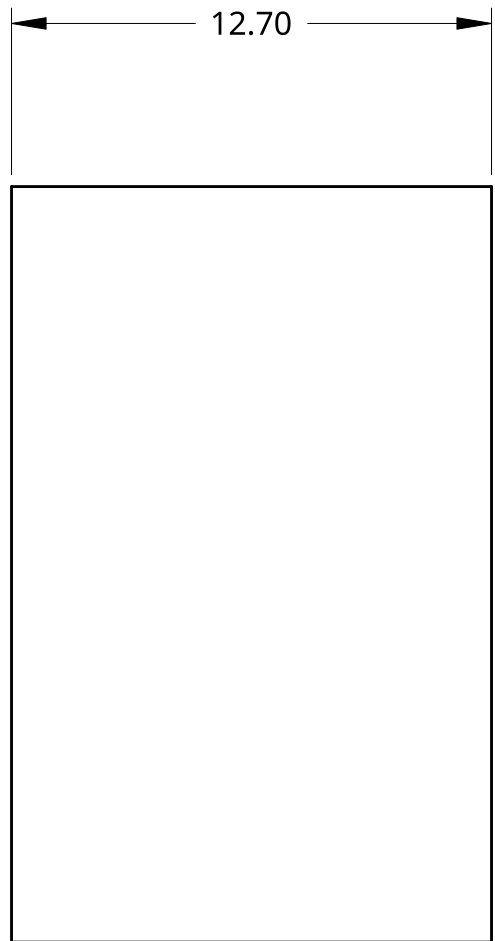
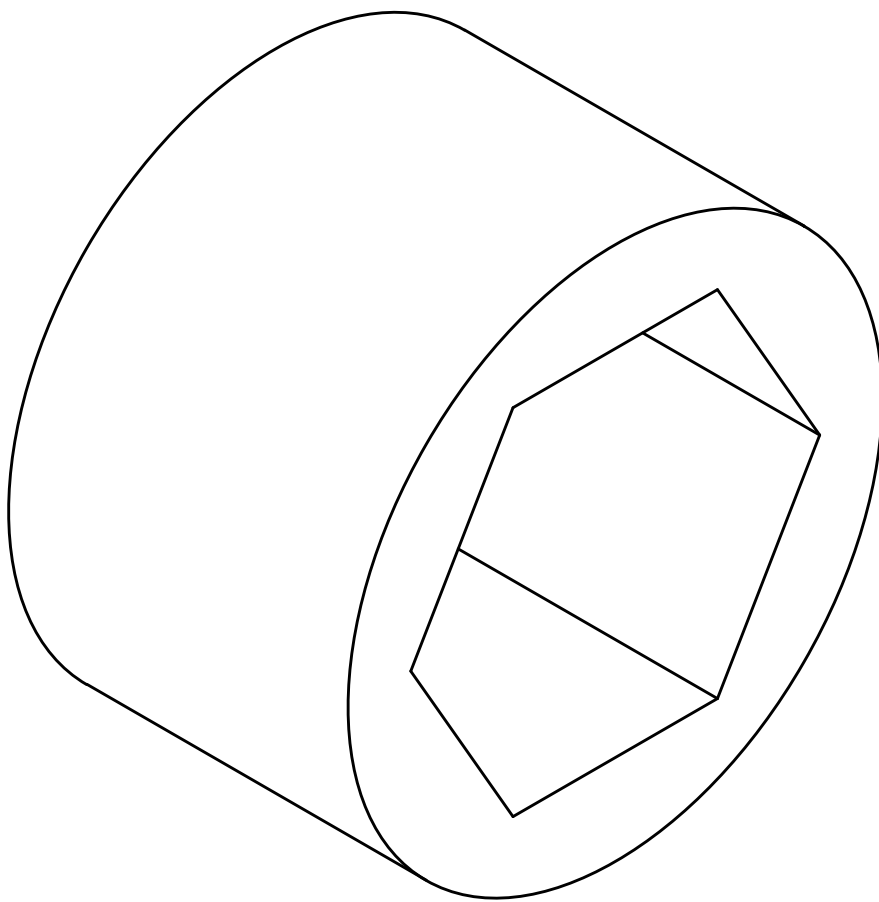
C


B

B

A

A



UNLESS OTHERWISE SPECIFIED, DIMENSIONS ARE IN MILLIMETERS .XX = ±.25 ANGULAR = ± 1° .XXX = ±.13	VEND	NAME	DATE	
	DRAWN	JO	12/10/2025	
DO NOT SCALE DRAWING	MATERIAL			TITLE
BREAK ALL SHARP EDGES AND REMOVE BURRS	PLA 3D PRINTED, PVC, OR COTS			INTAKE SHAFT SMALL SPACER
PROPRIETARY AND CONFIDENTIAL THE INFORMATION CONTAINED IN THIS DRAWING IS THE SOLE PROPERTY OF FIRST® . ANY REPRODUCTION IN PART OR AS A WHOLE WITHOUT THE WRITTEN PERMISSION OF FIRST® IS PROHIBITED.				SIZE C
	SCALE	5:1	SHEET	1 of 1

4

3

2

1

4

3

2

1

D

D

C

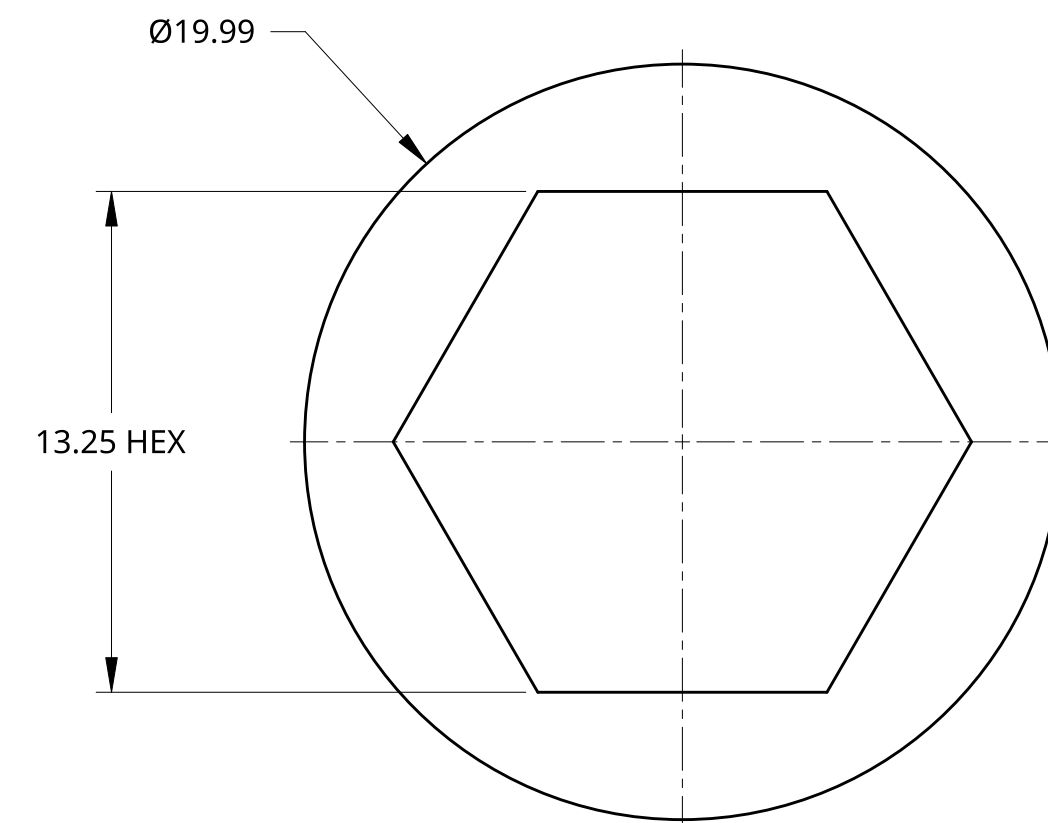
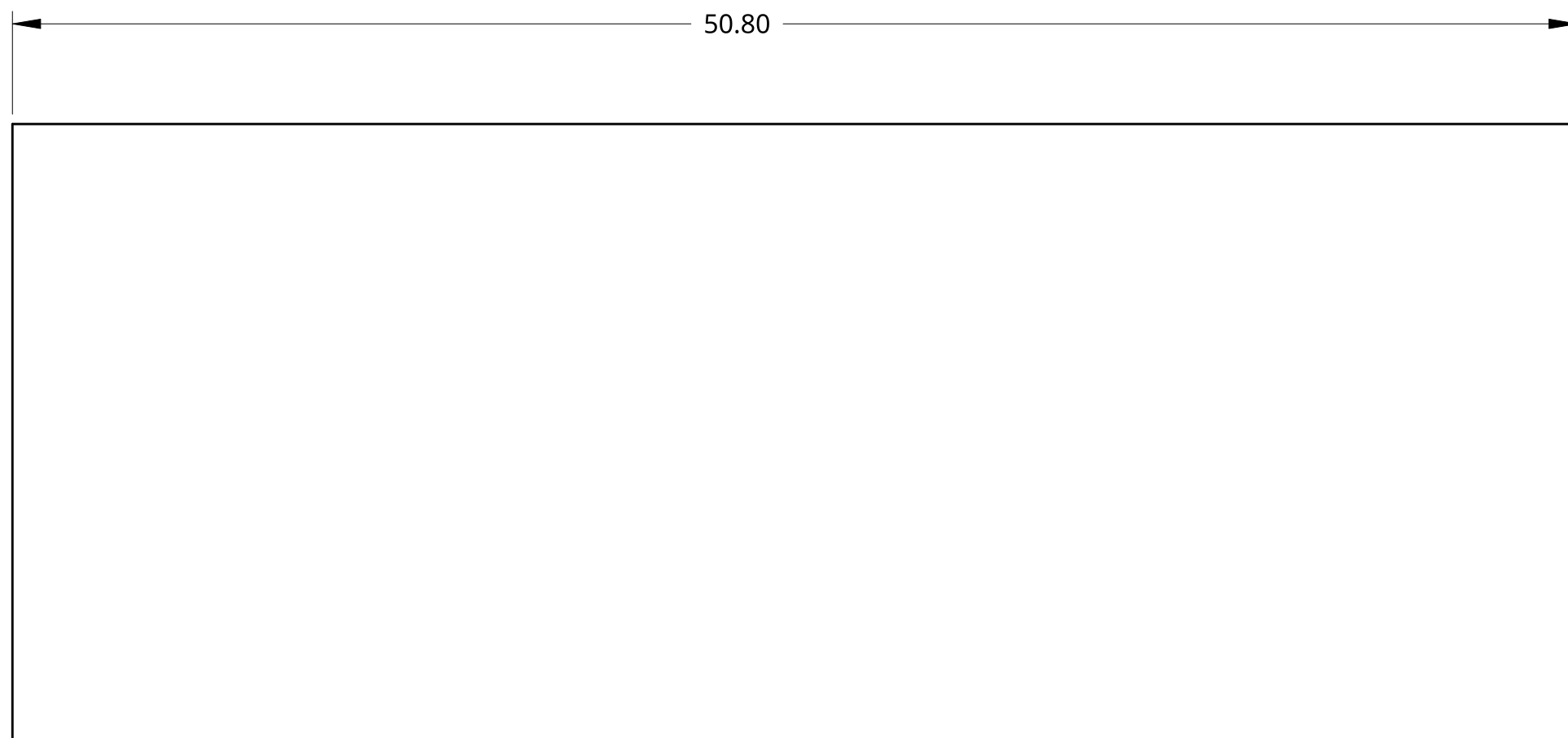
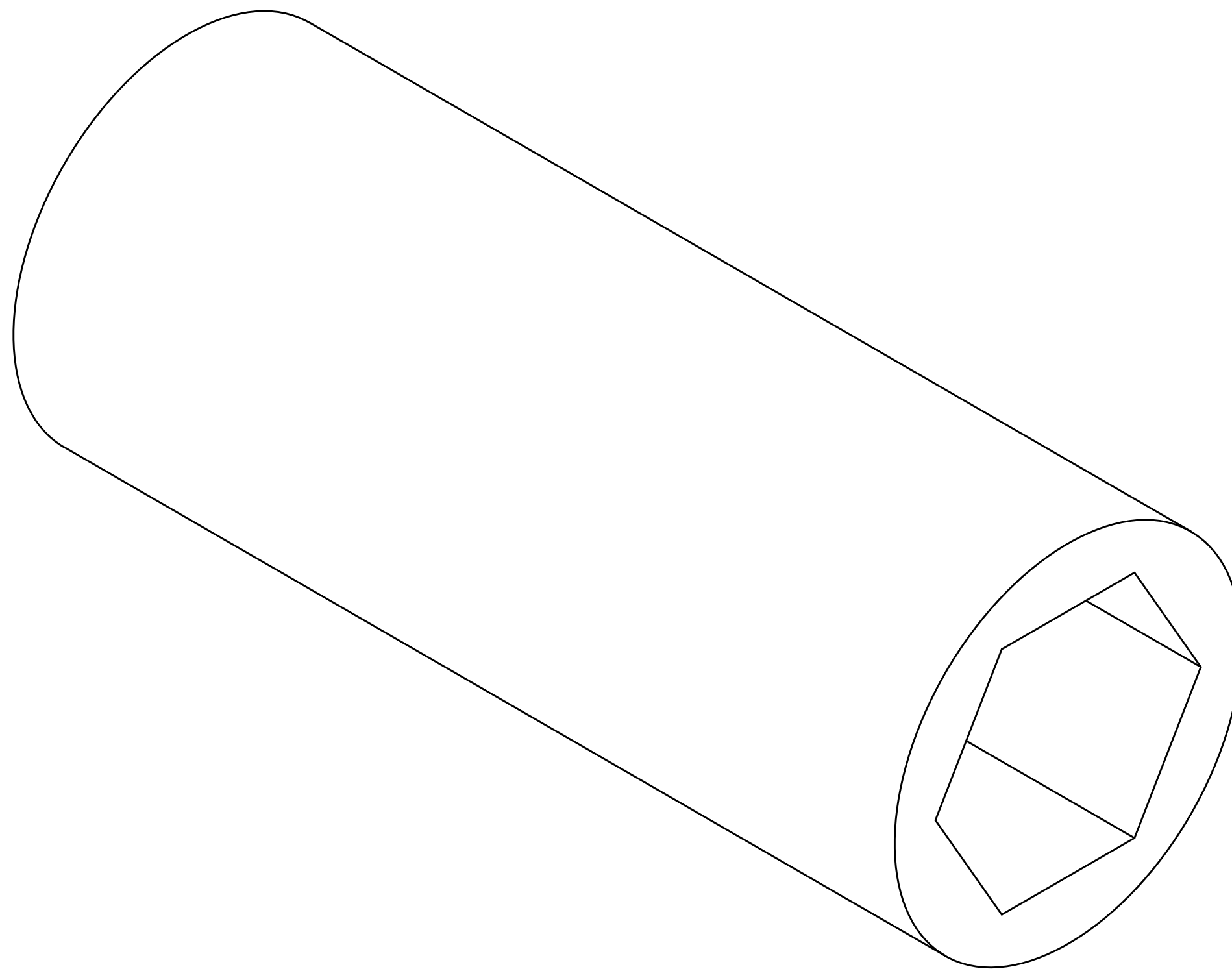
C


B

B

A

A



UNLESS OTHERWISE SPECIFIED, DIMENSIONS ARE IN MILLIMETERS .XX = ±.25 ANGULAR = ± 1° .XXX = ±.13	VEND	NAME	DATE	
	DRAWN	JO	12/10/2025	
	DO NOT SCALE DRAWING	MATERIAL		TITLE
BREAK ALL SHARP EDGES AND REMOVE BURRS PROPRIETARY AND CONFIDENTIAL THE INFORMATION CONTAINED IN THIS DRAWING IS THE SOLE PROPERTY OF FIRST . ANY REPRODUCTION IN PART OR AS A WHOLE WITHOUT THE WRITTEN PERMISSION OF FIRST IS PROHIBITED.	PLA 3D PRINTED, PVC, OR MADE FROM COTS SPACERS		HOOD PLATE SPACER	
	SIZE	DWG NO.	REV.	
	C	KB-26019		
	SCALE	5:1	SHEET	1 of 1

4

3

2

1

4

3

2

1

D

D

C

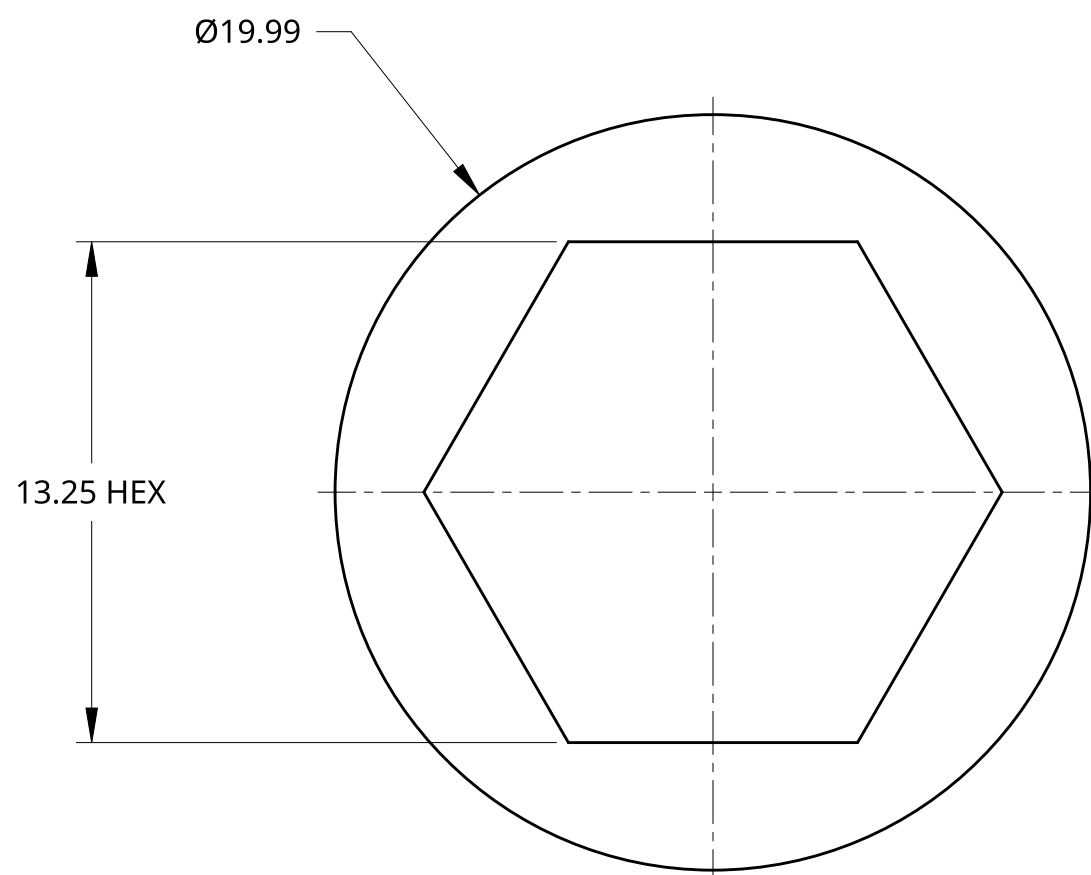
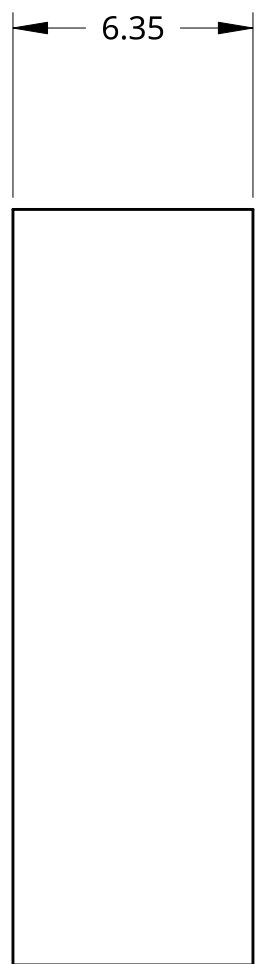
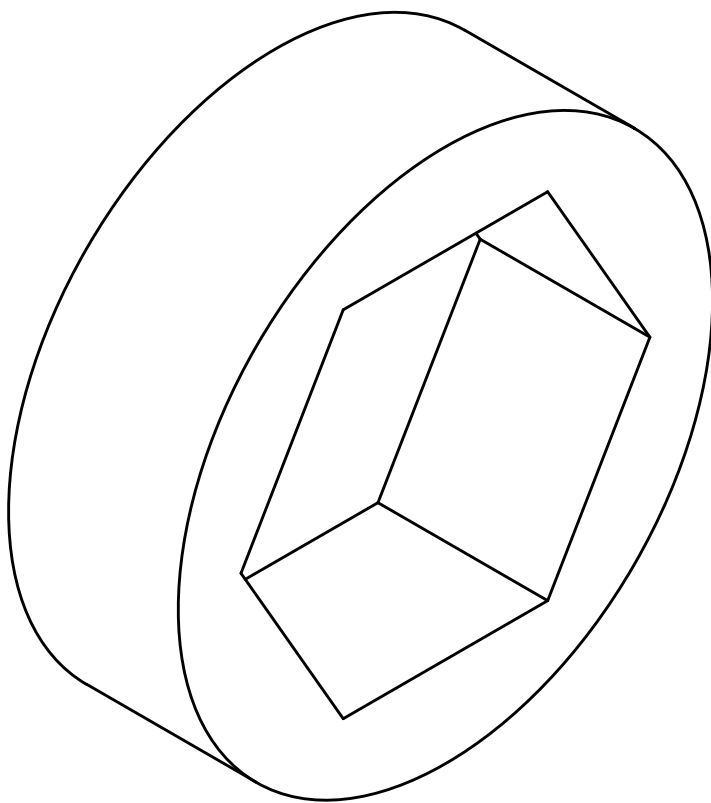
C


B

B

A

A



UNLESS OTHERWISE SPECIFIED, DIMENSIONS ARE IN MILLIMETERS .XX = ±.25 ANGULAR = ± 1° .XXX = ±.13	VEND	NAME	DATE	
	DRAWN	JO	12/10/2025	
DO NOT SCALE DRAWING	MATERIAL			TITLE
BREAK ALL SHARP EDGES AND REMOVE BURRS	PLA 3D PRINTED, PVC, OR COTS			1/4" LONG HEX SPACER
PROPRIETARY AND CONFIDENTIAL THE INFORMATION CONTAINED IN THIS DRAWING IS THE SOLE PROPERTY OF FIRST . ANY REPRODUCTION IN PART OR AS A WHOLE WITHOUT THE WRITTEN PERMISSION OF FIRST IS PROHIBITED.				SIZE
	C	KB-26020		
	SCALE	5:1	SHEET 1 of 1	

4

3

2

1