

4

3

2

1

D

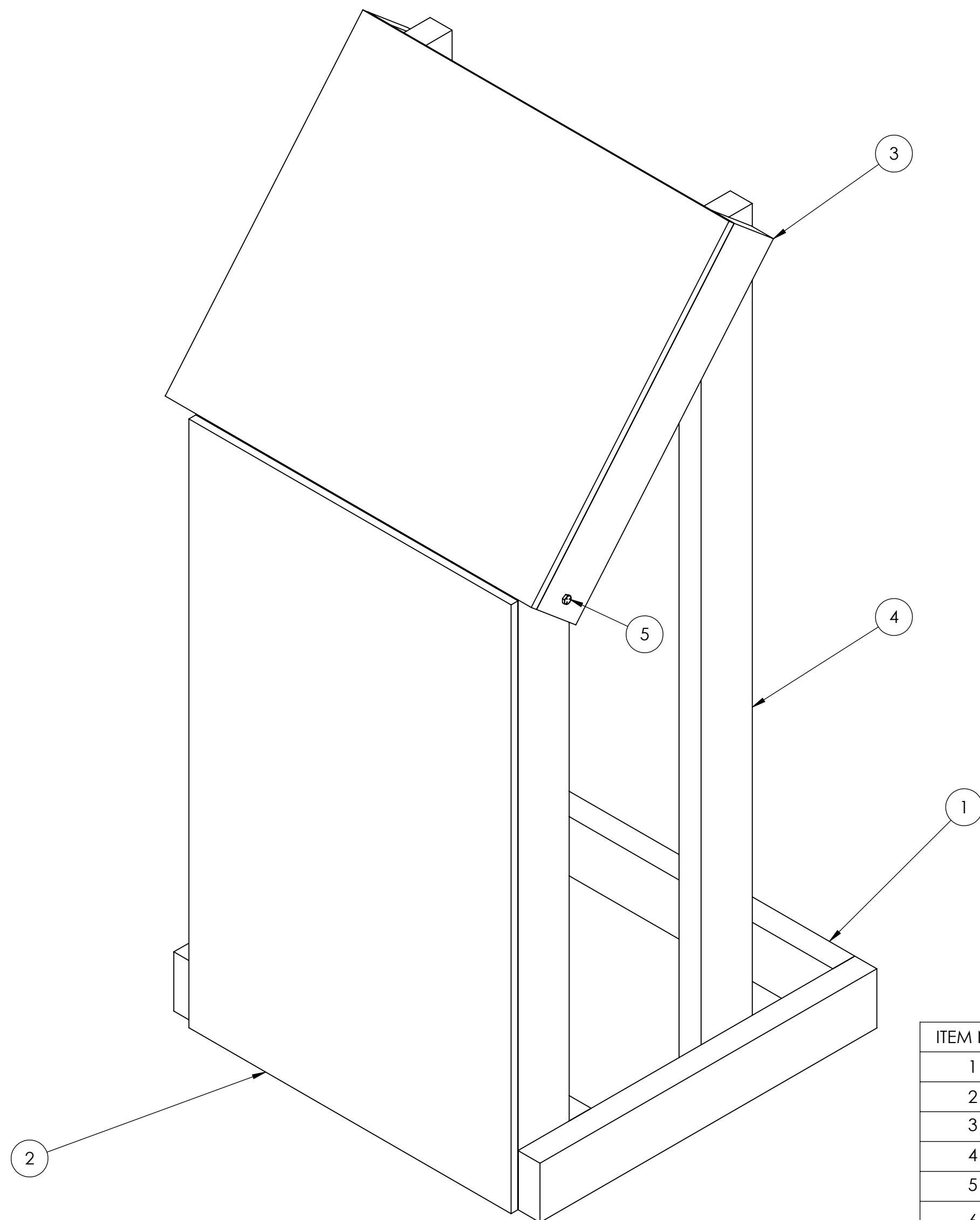
D

C



C

B

B



ITEM NO.	PART NUMBER	DESCRIPTION	QTY.
1	TE-24001	Floor Frame	1
2	TE-24004	Front Frame	1
3	TE-24007	Ramp Frame	1
4	TE-24010	Back Height Beam	2
5	Configurable Bolt	1/4-20 Hex Head 3.5" Long	2
6	wing_.25_20	Steel Wing Nut, 1/4"-20, 31/64" Base Diameter	2

UNLESS OTHERWISE SPECIFIED: DIMENSIONS ARE IN INCHES TOLERANCES: FRACTIONAL ±1/16 ANGULAR: MACH±1° BEND ±1° TWO PLACE DECIMAL ±.13 THREE PLACE DECIMAL ±.125 MATERIAL/FINISH: DO NOT SCALE DRAWING	TEAM	NAME	DATE	 	
	DRAWN	JO	12/11/2023		
	PROPRIETARY AND CONFIDENTIAL THE INFORMATION CONTAINED IN THIS DRAWING IS THE SOLE PROPERTY OF FIRST® . ANY REPRODUCTION IN PART OR AS A WHOLE WITHOUT THE WRITTEN PERMISSION OF FIRST® IS PROHIBITED.			TITLE: <h1>TE Source</h1>	
	COMMENTS: REMOVE ALL BURRS AND SHARP EDGES.			SIZE <h1>C</h1>	DWG. NO. <h1>TE-24000</h1>
		SCALE: 1:5		REV 	
			SHEET 1 OF 2		

4

3

2

1

A

A

4

3

2

1

D

D

C

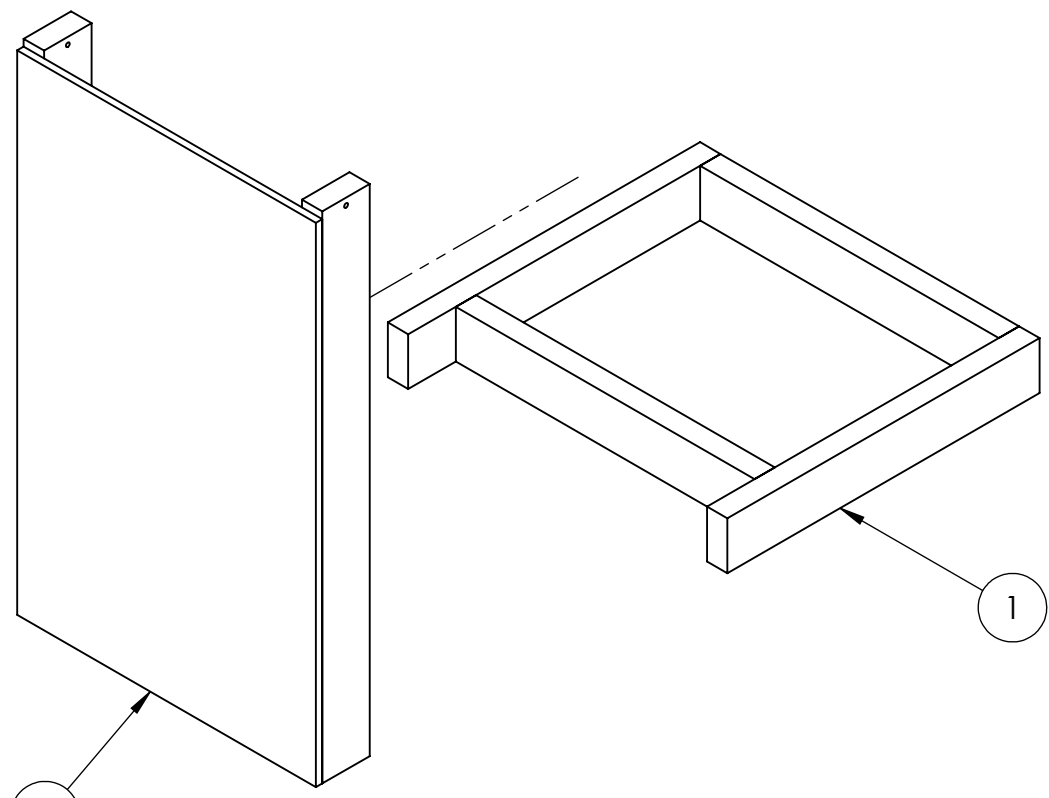
C

B

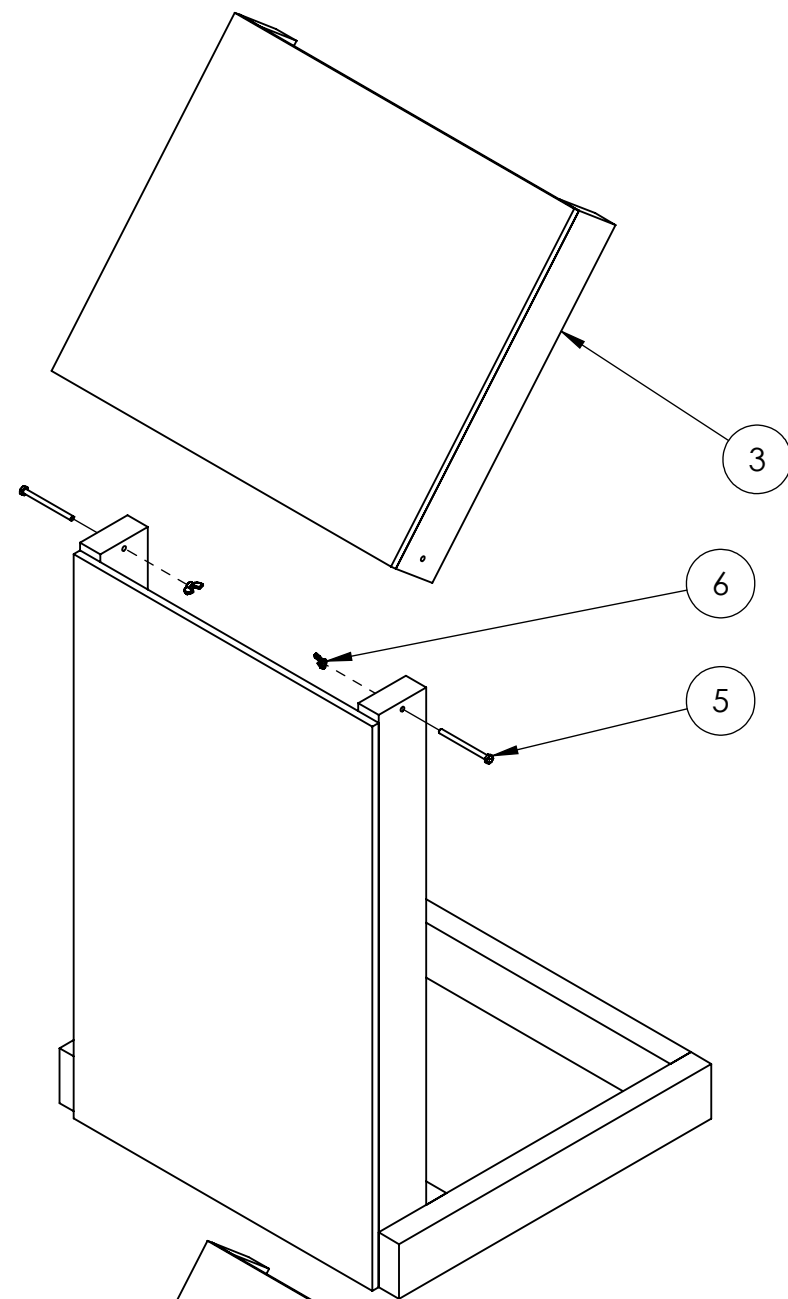
B

A

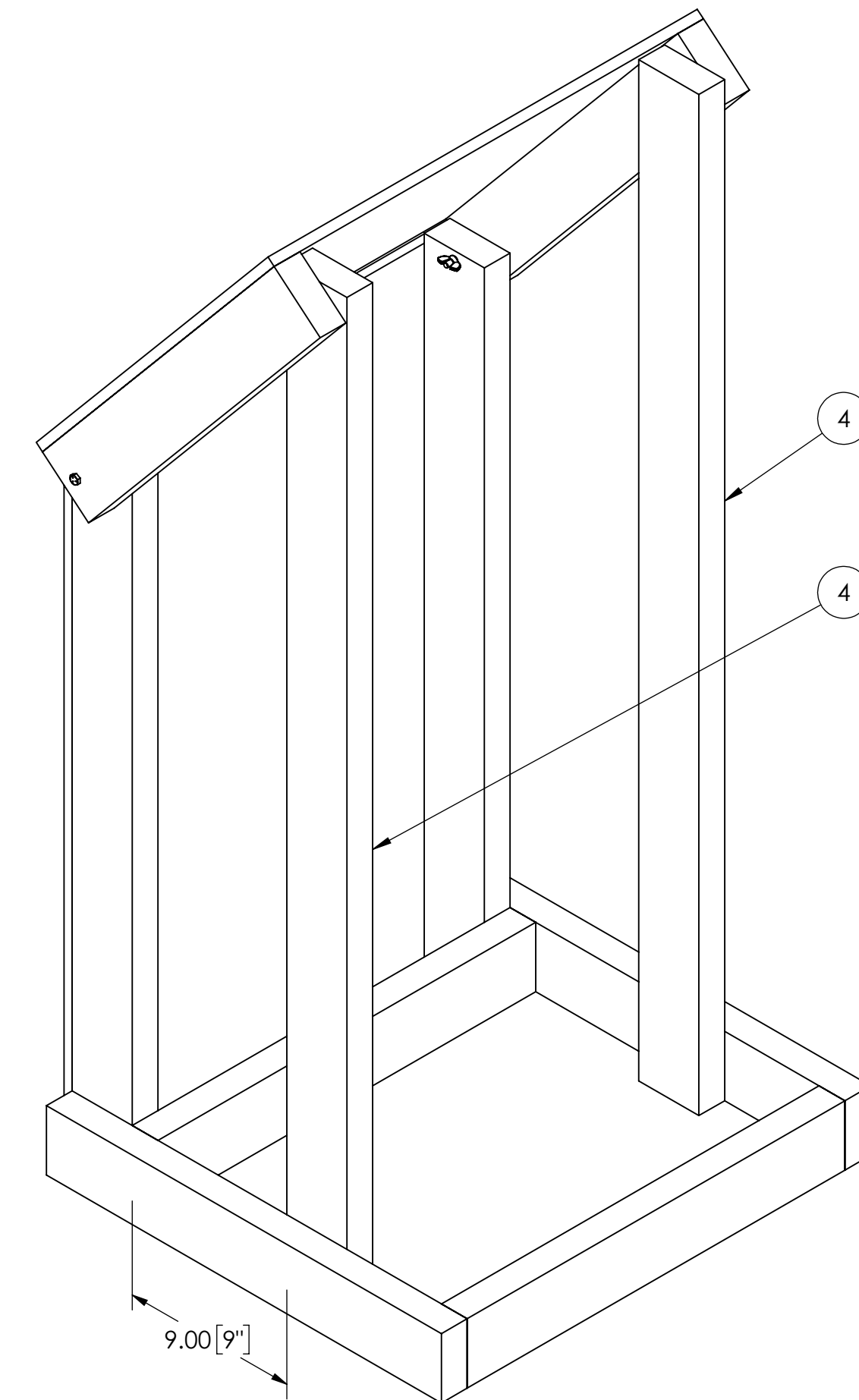
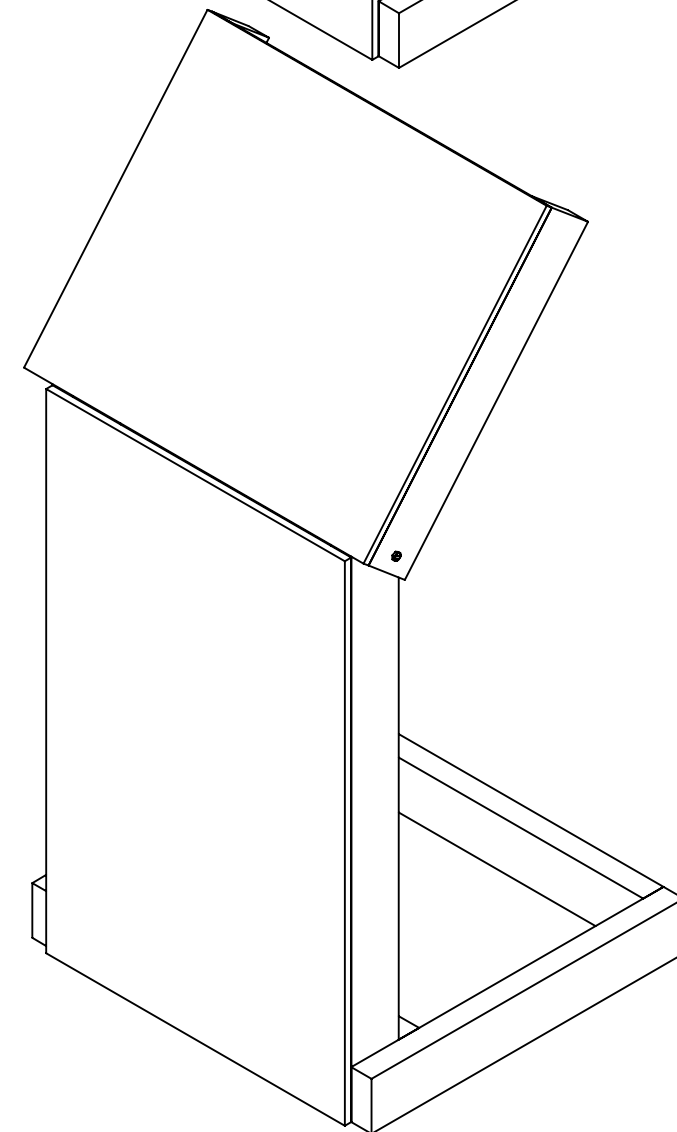
A



Step 1: Attach (2) to (1) using wood screws as shown, with hole side of (2) on top





Step 2: Attach (3) to the assembly using (5) and (6)



Step 3: Attach (4) to the assembly on the floor frame with wood screws, keeping 9" between them and the front frame beams

Step 4: Using a Protractor or angle finding app, get (3) to be 50 degrees from the floor and then wood screw the top of it to (4)

UNLESS OTHERWISE SPECIFIED: DIMENSIONS ARE IN INCHES TOLERANCES: FRACTIONAL ±1/16 ANGULAR: MACH±1° BEND ±1° TWO PLACE DECIMAL ±.13 THREE PLACE DECIMAL ±.125 MATERIAL/FINISH: DO NOT SCALE DRAWING	TEAM	NAME	DATE	 	
	DRAWN	JO	12/11/2023		
	PROPRIETARY AND CONFIDENTIAL THE INFORMATION CONTAINED IN THIS DRAWING IS THE SOLE PROPERTY OF FIRST® . ANY REPRODUCTION IN PART OR AS A WHOLE WITHOUT THE WRITTEN PERMISSION OF FIRST® IS PROHIBITED.			TITLE:	TE Source
	COMMENTS: REMOVE ALL BURRS AND SHARP EDGES.			SIZE	DWG. NO.
			C	TE-24000	
			SCALE: 1:10	SHEET 2 OF 2	

4

3

2

1

2X 3.50 [3 1/2"]

Notes:
Assemble as shown with wood screws

ITEM NO.	PART NUMBER	DESCRIPTION	QTY.
1	TE-24002	Floor Depth Beam	2
2	TE-24003	Floor Width Beam	2

UNLESS OTHERWISE SPECIFIED:
 DIMENSIONS ARE IN INCHES
 TOLERANCES:
 FRACTIONAL ±1/16
 ANGULAR: MACH ±1° BEND ±1°
 TWO PLACE DECIMAL ±.13
 THREE PLACE DECIMAL ±.125

MATERIAL/FINISH:


DO NOT SCALE DRAWING

TEAM	NAME	DATE
DRAWN	JO	12/11/2023

PROPRIETARY AND CONFIDENTIAL

THE INFORMATION CONTAINED IN THIS DRAWING IS THE SOLE PROPERTY OF **FIRST®**. ANY REPRODUCTION IN PART OR AS A WHOLE WITHOUT THE WRITTEN PERMISSION OF **FIRST®** IS PROHIBITED.

COMMENTS:
REMOVE ALL BURRS AND SHARP EDGES.



TITLE: **Floor Frame**

SIZE	DWG. NO.	REV
C	TE-24001	

SCALE: 1:2.5 SHEET 1 OF 1

4

3

2

1

D

D

C

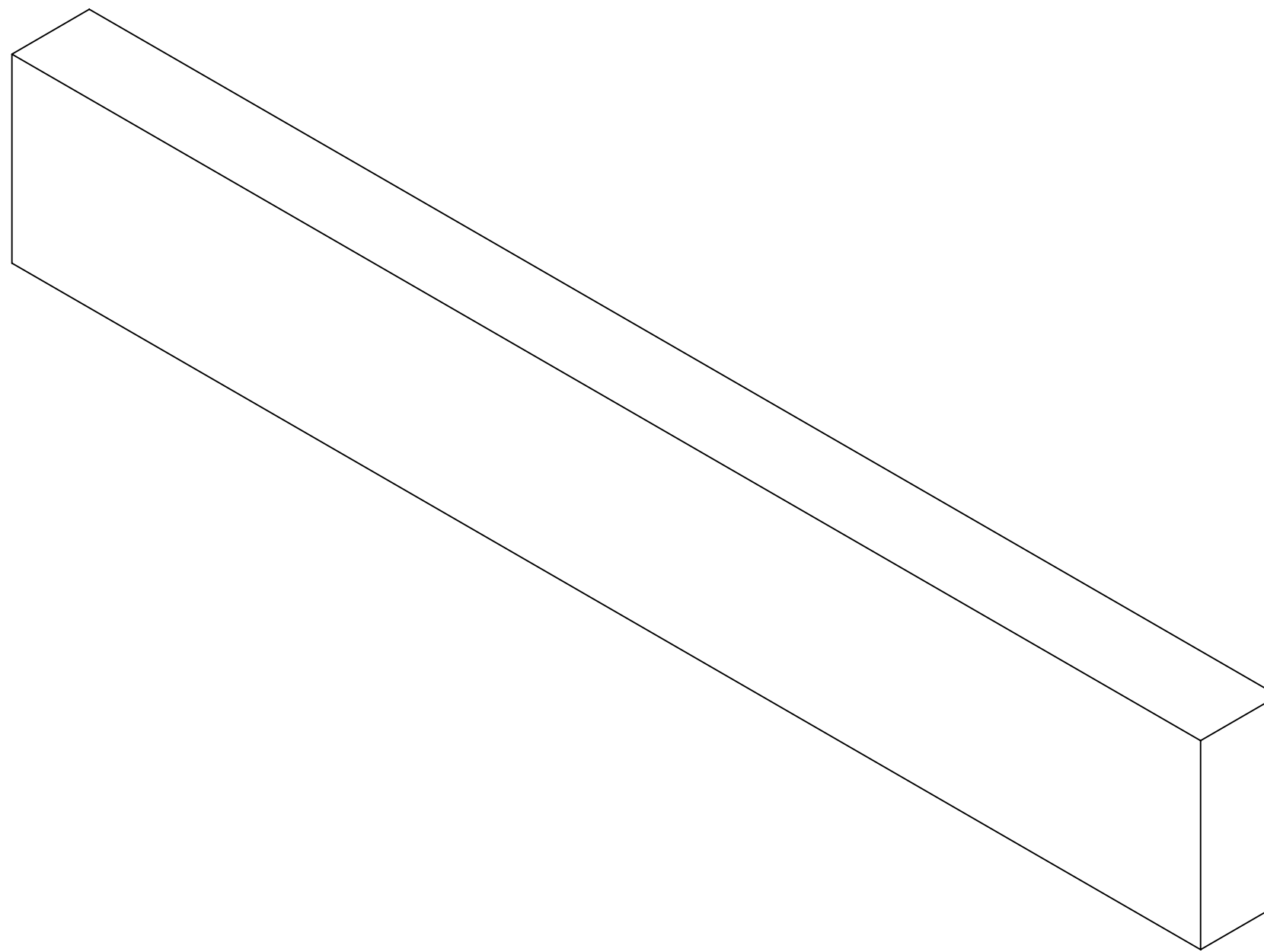
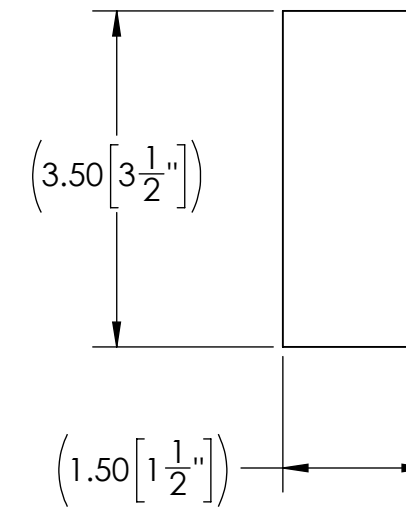
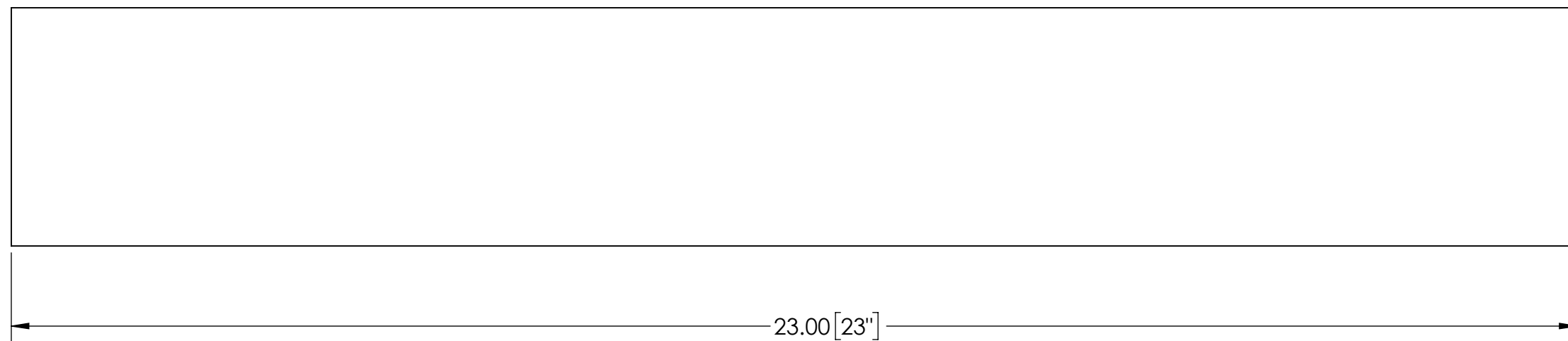
C



B

B

A

A



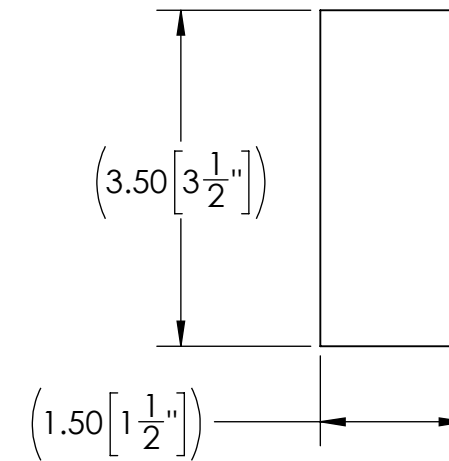
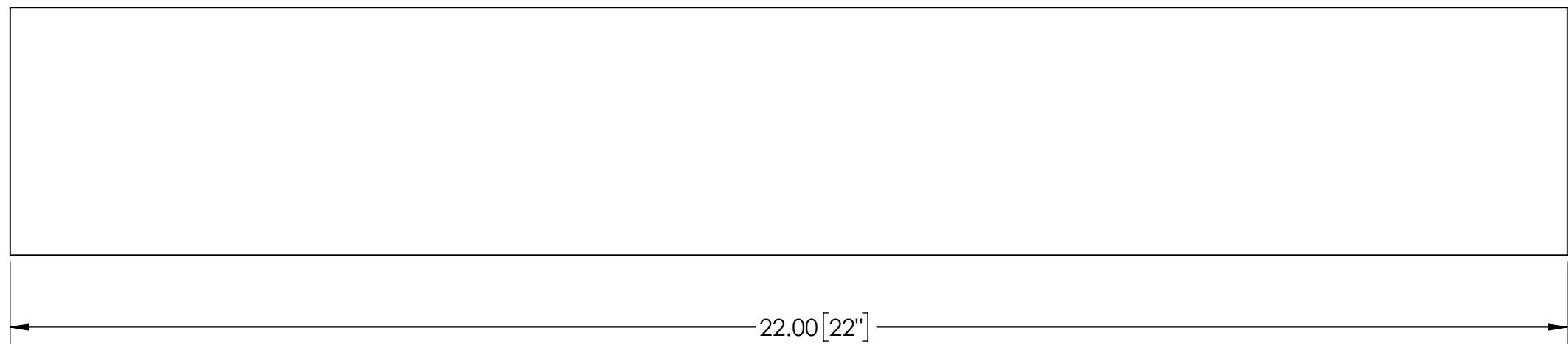
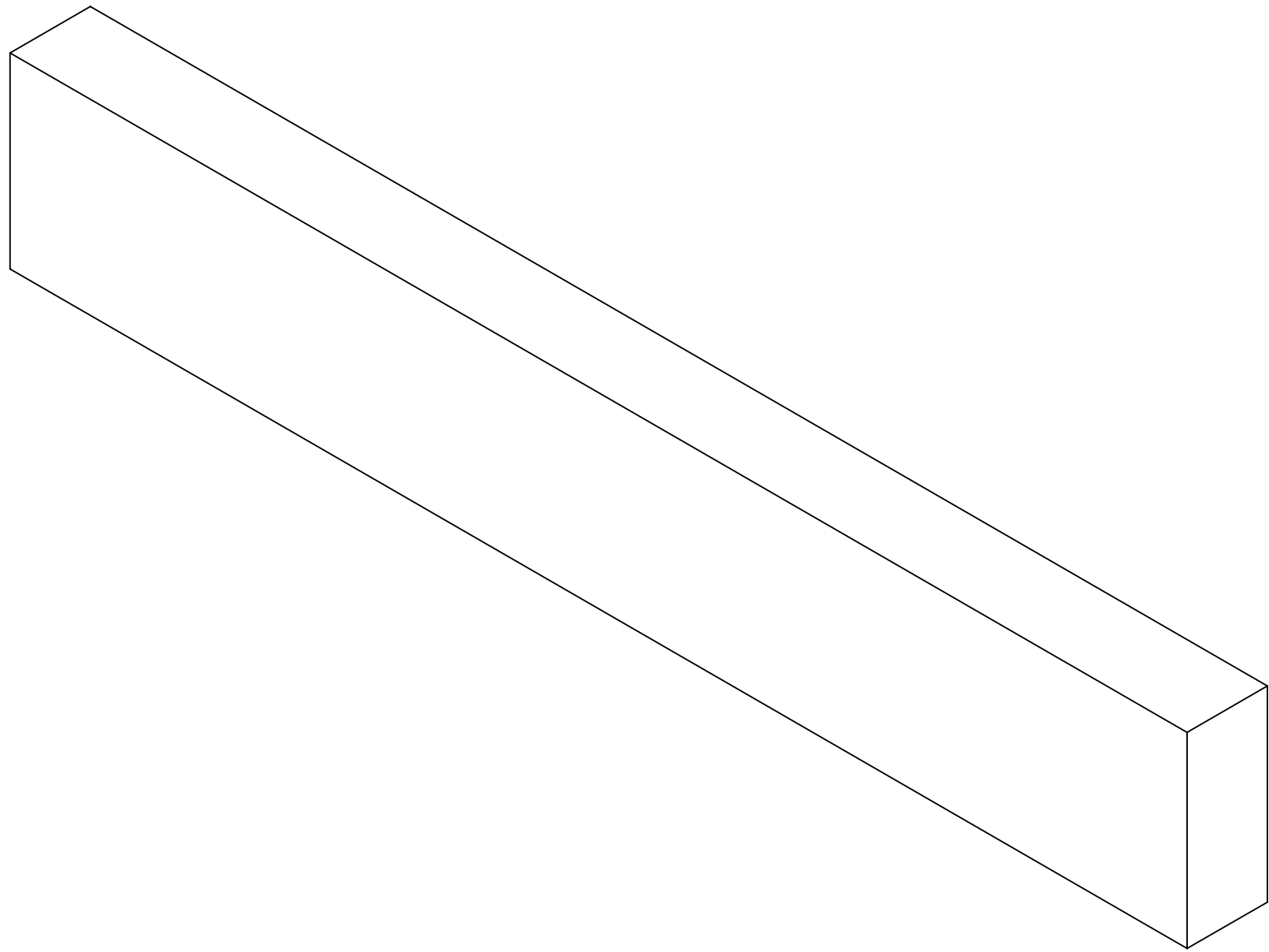
UNLESS OTHERWISE SPECIFIED: DIMENSIONS ARE IN INCHES TOLERANCES: FRACTIONAL $\pm 1/16$ ANGULAR: MACH $\pm 1^\circ$ BEND $\pm 1^\circ$ TWO PLACE DECIMAL $\pm .13$ THREE PLACE DECIMAL $\pm .125$	TEAM	NAME	DATE	 
	DRAWN	JO	12/11/2023	
MATERIAL/FINISH: 2x4 Lumber	PROPRIETARY AND CONFIDENTIAL THE INFORMATION CONTAINED IN THIS DRAWING IS THE SOLE PROPERTY OF FIRST . ANY REPRODUCTION IN PART OR AS A WHOLE WITHOUT THE WRITTEN PERMISSION OF FIRST IS PROHIBITED.			TITLE: Floor Depth Beam
DO NOT SCALE DRAWING	COMMENTS: REMOVE ALL BURRS AND SHARP EDGES.			SIZE C DWG. NO. TE-24002 REV SCALE: 1:2 SHEET 1 OF 1



4

3

2

1



UNLESS OTHERWISE SPECIFIED: DIMENSIONS ARE IN INCHES TOLERANCES: FRACTIONAL $\pm 1/16$ ANGULAR: MACH $\pm 1^\circ$ BEND $\pm 1^\circ$ TWO PLACE DECIMAL $\pm .13$ THREE PLACE DECIMAL $\pm .125$ MATERIAL/FINISH: 2x4 Lumber DO NOT SCALE DRAWING	TEAM	NAME	DATE	 
	DRAWN	JO	12/11/2023	
	PROPRIETARY AND CONFIDENTIAL THE INFORMATION CONTAINED IN THIS DRAWING IS THE SOLE PROPERTY OF FIRST . ANY REPRODUCTION IN PART OR AS A WHOLE WITHOUT THE WRITTEN PERMISSION OF FIRST IS PROHIBITED.			TITLE:
	COMMENTS: REMOVE ALL BURRS AND SHARP EDGES.			Floor Width Beam
SIZE		DWG. NO.	REV	
C		TE-24003		
SCALE: 1:2		SHEET 1 OF 1		

4

3

2

1

D

D

C

C

B

B

A

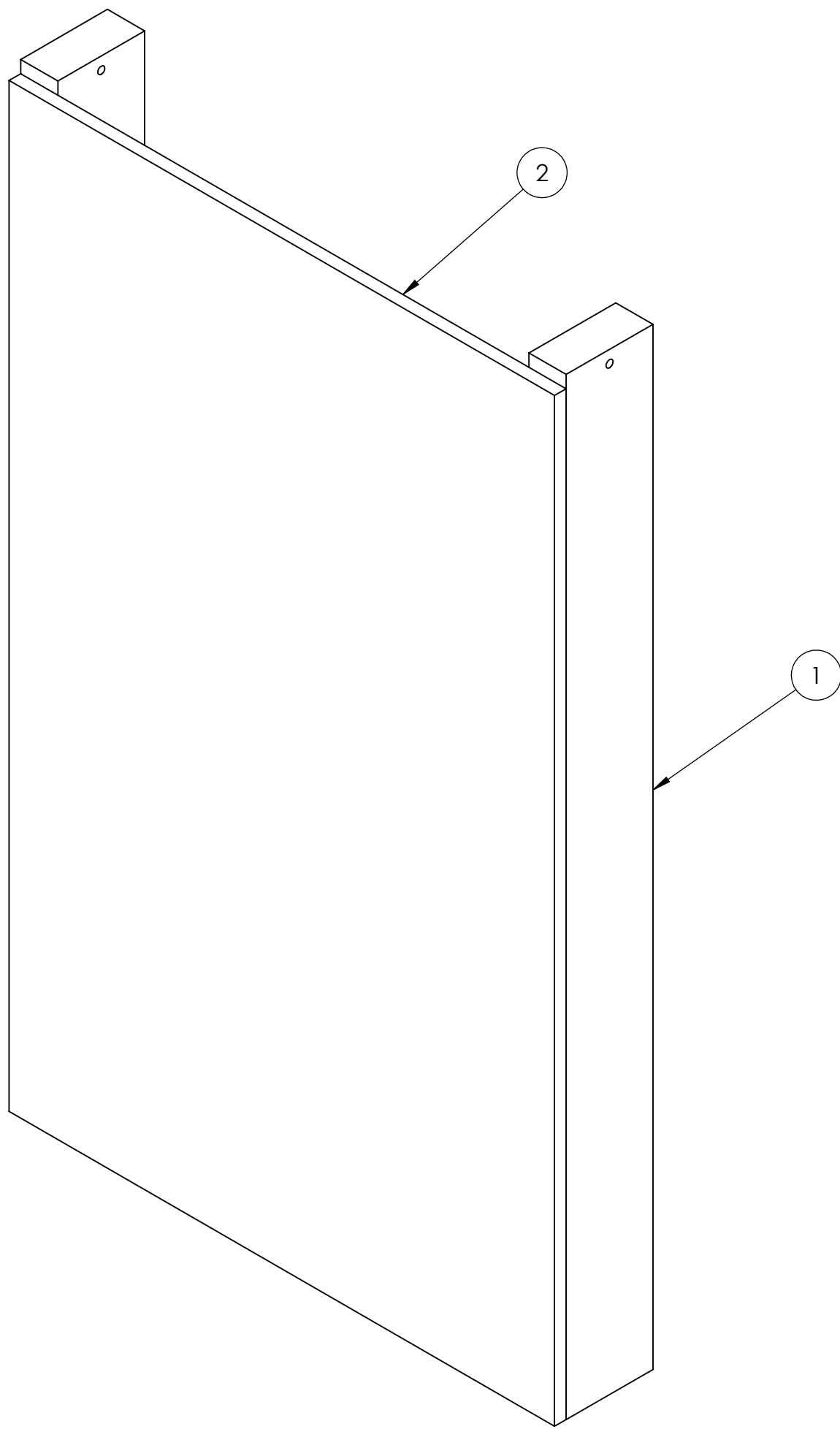
A

4

3

2

1





Notes:

Assemble as shown, (2) should be flush with the side of (1) that does not have a hole

ITEM NO.	PART NUMBER	DESCRIPTION	QTY.
1	TE-24005	Front Height Beam	2
2	TE-24006	Front Wall	1

UNLESS OTHERWISE SPECIFIED:		TEAM	NAME	DATE
DIMENSIONS ARE IN INCHES TOLERANCES: FRACTIONAL ±1/16 ANGULAR: MACH ±1° BEND ±1° TWO PLACE DECIMAL ±.13 THREE PLACE DECIMAL ±.125		DRAWN	JO	12/11/2023
MATERIAL/FINISH:		PROPRIETARY AND CONFIDENTIAL		
DO NOT SCALE DRAWING		THE INFORMATION CONTAINED IN THIS DRAWING IS THE SOLE PROPERTY OF FIRST® . ANY REPRODUCTION IN PART OR AS A WHOLE WITHOUT THE WRITTEN PERMISSION OF FIRST® IS PROHIBITED.		
		COMMENTS: REMOVE ALL BURRS AND SHARP EDGES.		

TITLE:

Front Frame

SIZE	DWG. NO.	REV
C	TE-24004	
SCALE: 1:4		SHEET 1 OF 1

D

D

C

C

B

B

A

A

4

3

2

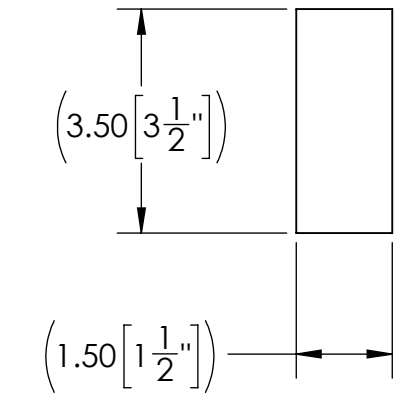
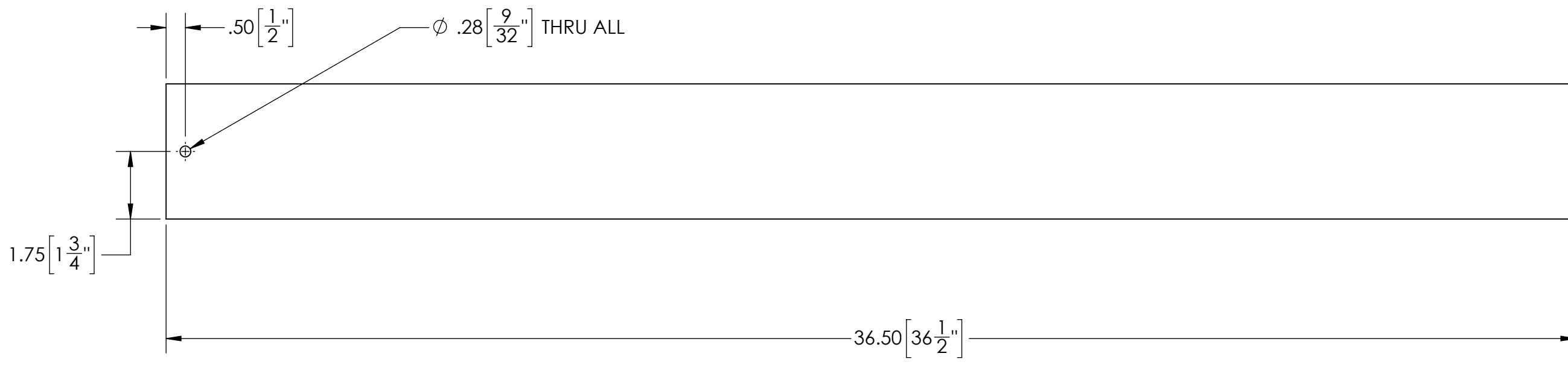
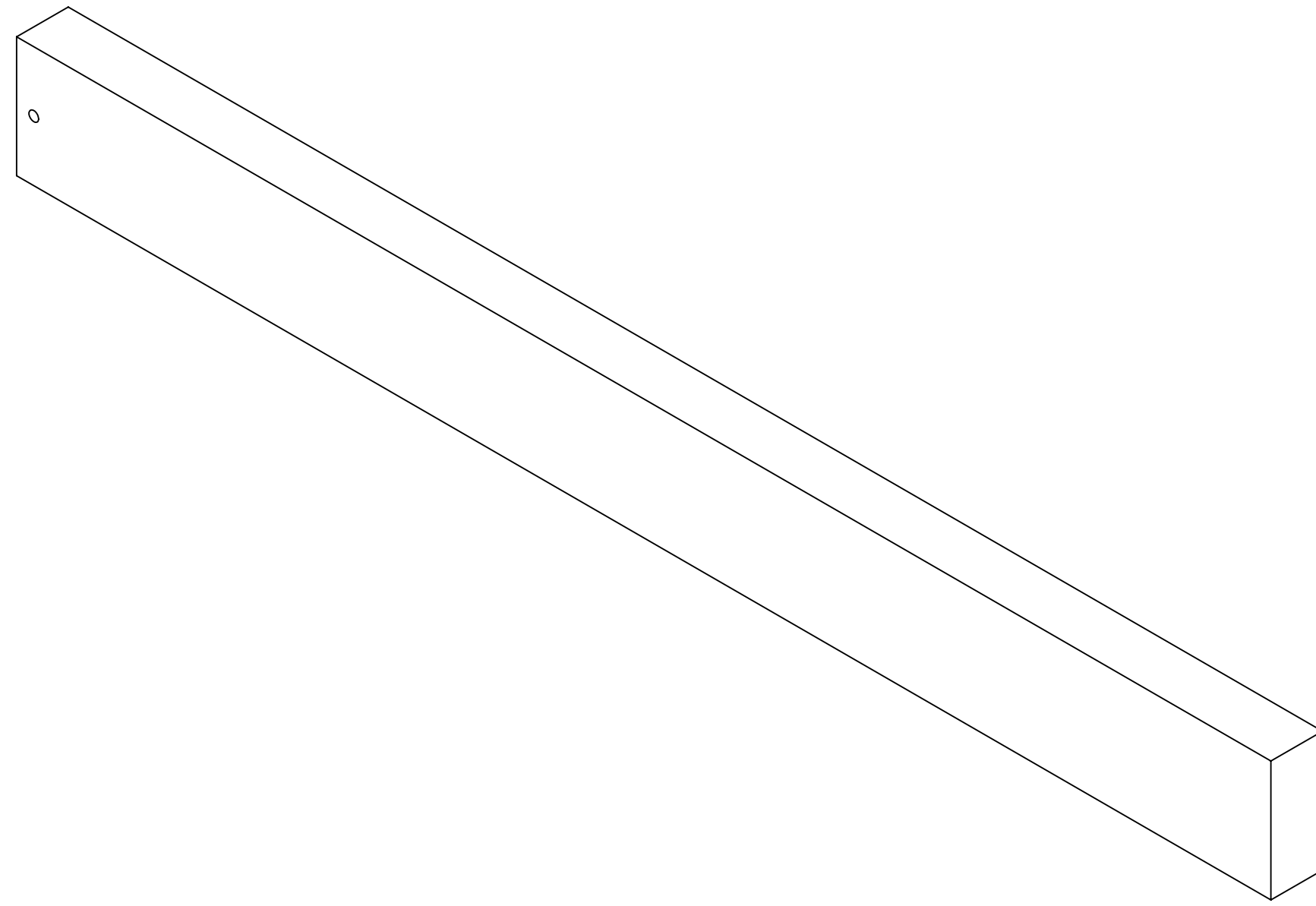
1


4

3

2

1



UNLESS OTHERWISE SPECIFIED: DIMENSIONS ARE IN INCHES TOLERANCES: FRACTIONAL $\pm 1/16$ ANGULAR: MACH $\pm 1^\circ$ BEND $\pm 1^\circ$ TWO PLACE DECIMAL $\pm .13$ THREE PLACE DECIMAL $\pm .125$ MATERIAL/FINISH: 2x4 Lumber DO NOT SCALE DRAWING	TEAM	NAME	DATE		
	DRAWN	JO	12/11/2023		
	PROPRIETARY AND CONFIDENTIAL THE INFORMATION CONTAINED IN THIS DRAWING IS THE SOLE PROPERTY OF FIRST . ANY REPRODUCTION IN PART OR AS A WHOLE WITHOUT THE WRITTEN PERMISSION OF FIRST IS PROHIBITED.			TITLE:	Front Height Beam
	COMMENTS: REMOVE ALL BURRS AND SHARP EDGES.			SIZE C DWG. NO. TE-24005 REV	
SCALE: 1:3		SHEET 1 OF 1			

4

3

2

1

D

D

C

C

B

B

A

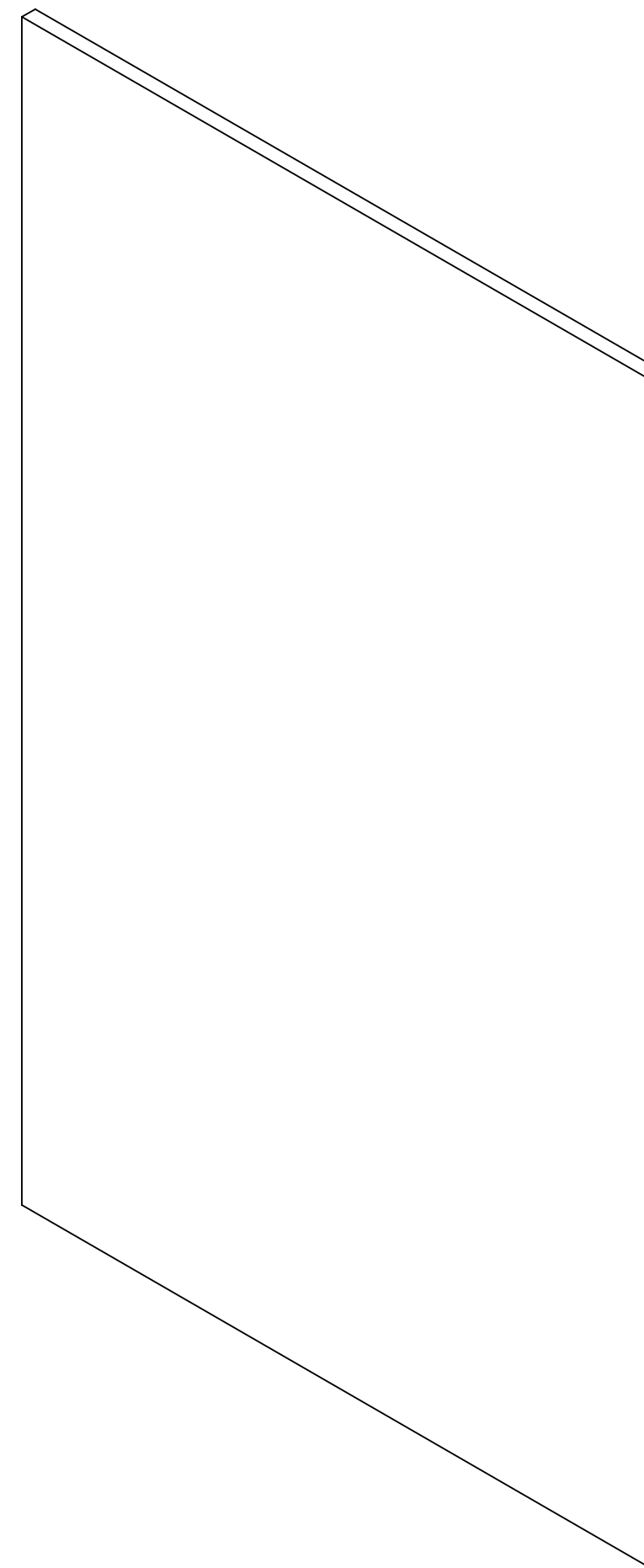
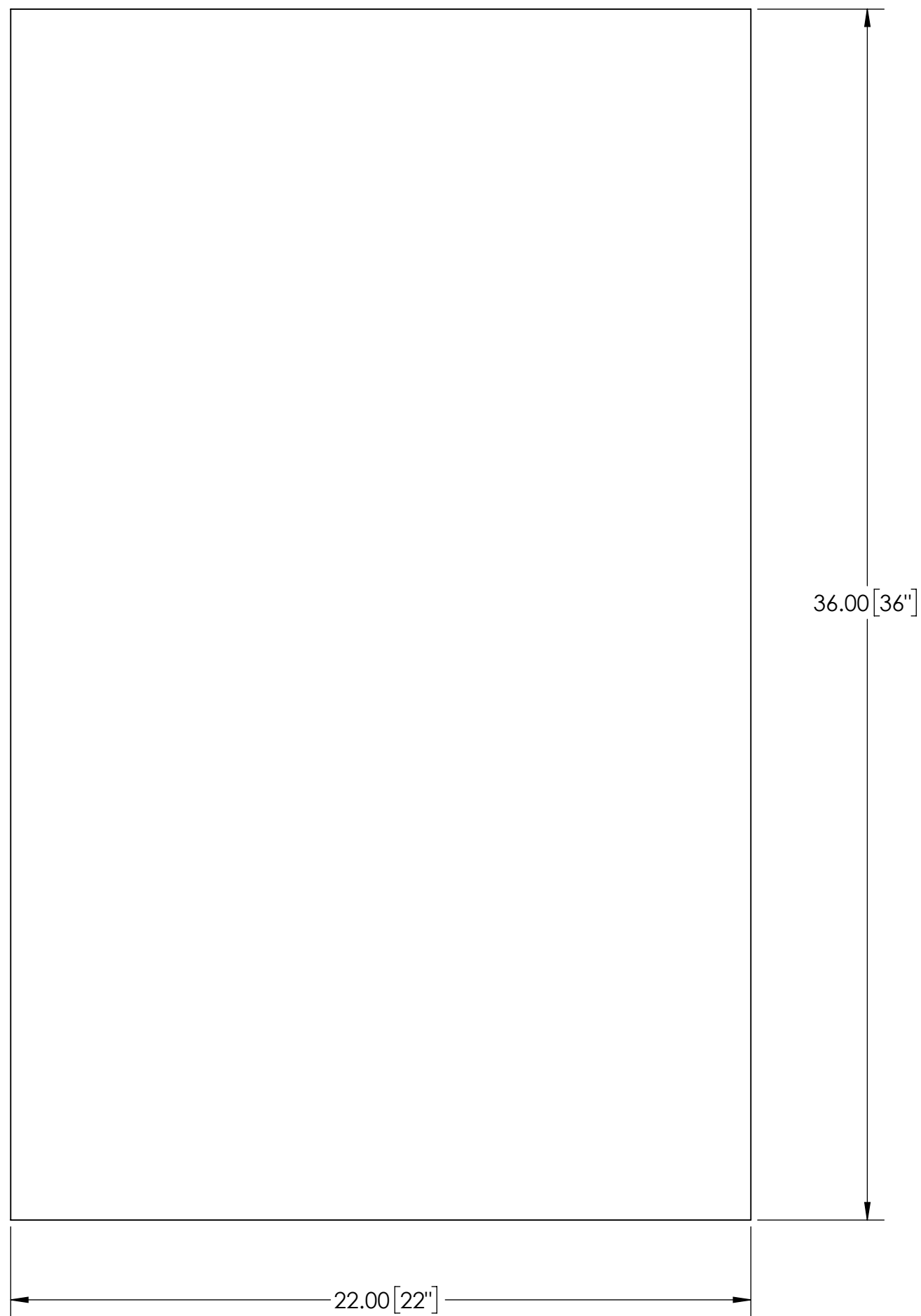
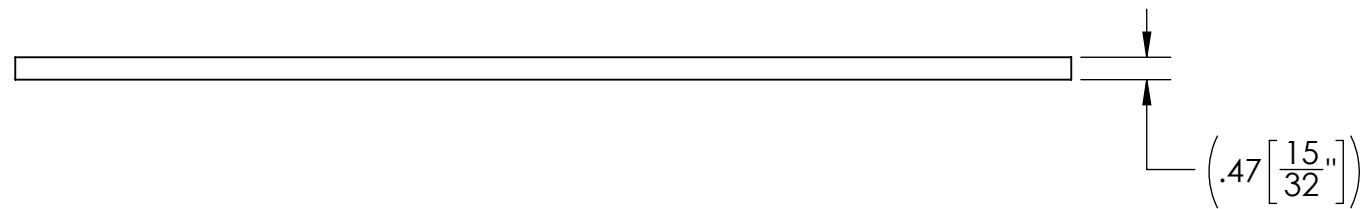
A

4

3

2

1



UNLESS OTHERWISE SPECIFIED:

DIMENSIONS ARE IN INCHES
 TOLERANCES:
 FRACTIONAL $\pm 1/16$
 ANGULAR: MACH $\pm 1^\circ$ BEND $\pm 1^\circ$
 TWO PLACE DECIMAL $\pm .13$
 THREE PLACE DECIMAL $\pm .125$

MATERIAL/FINISH:
 1/2" Plywood (15/32")

DO NOT SCALE DRAWING

TEAM	NAME	DATE
DRAWN	JO	12/11/2023

PROPRIETARY AND CONFIDENTIAL
 THE INFORMATION CONTAINED IN THIS DRAWING IS THE SOLE PROPERTY OF **FIRST**. ANY REPRODUCTION IN PART OR AS A WHOLE WITHOUT THE WRITTEN PERMISSION OF **FIRST** IS PROHIBITED.

COMMENTS:
 REMOVE ALL BURRS AND SHARP EDGES.



TITLE: **Front Wall**

SIZE	DWG. NO.	REV
C	TE-24006	

SCALE: 1:4	SHEET 1 OF 1
------------	--------------

4

3

2

1

A

A

A

A

D

D

D

D

C

C

C

C

B

B

B

B

A

A

A

A

4

3

2

1

D

D

C

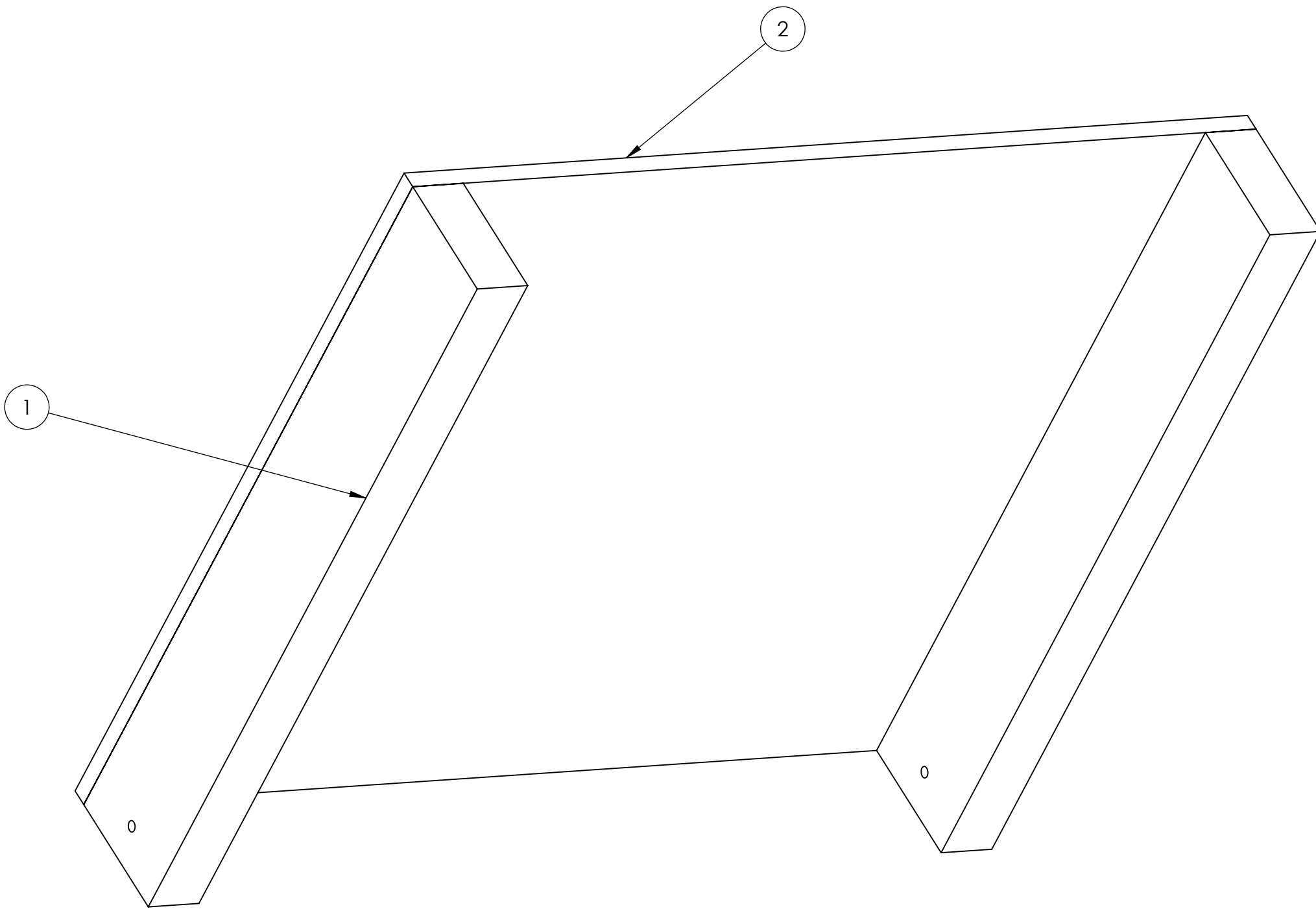
C

B

B

A

A



Notes:
Assemble as shown with wood screws

ITEM NO.	PART NUMBER	DESCRIPTION	QTY.
1	TE-24008	Ramp Beam	2
2	TE-24009	Ramp Panel	1

UNLESS OTHERWISE SPECIFIED:
 DIMENSIONS ARE IN INCHES
 TOLERANCES:
 FRACTIONAL $\pm 1/16$
 ANGULAR: MACH $\pm 1^\circ$ BEND $\pm 1^\circ$
 TWO PLACE DECIMAL $\pm .13$
 THREE PLACE DECIMAL $\pm .125$



MATERIAL/FINISH:

COMMENTS:
 REMOVE ALL BURRS AND SHARP EDGES.

DO NOT SCALE DRAWING

TEAM	NAME	DATE
DRAWN	JO	12/11/2023

PROPRIETARY AND CONFIDENTIAL
 THE INFORMATION CONTAINED IN THIS DRAWING IS THE SOLE PROPERTY OF **FIRST®**. ANY REPRODUCTION IN PART OR AS A WHOLE WITHOUT THE WRITTEN PERMISSION OF **FIRST®** IS PROHIBITED.

TITLE: **Ramp Frame**

SIZE	DWG. NO.	REV
C	TE-24007	

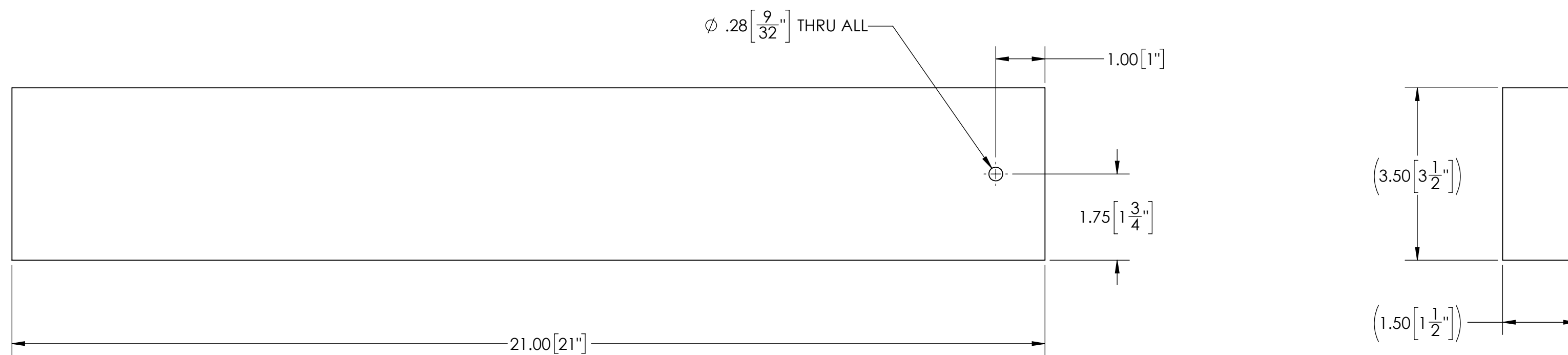
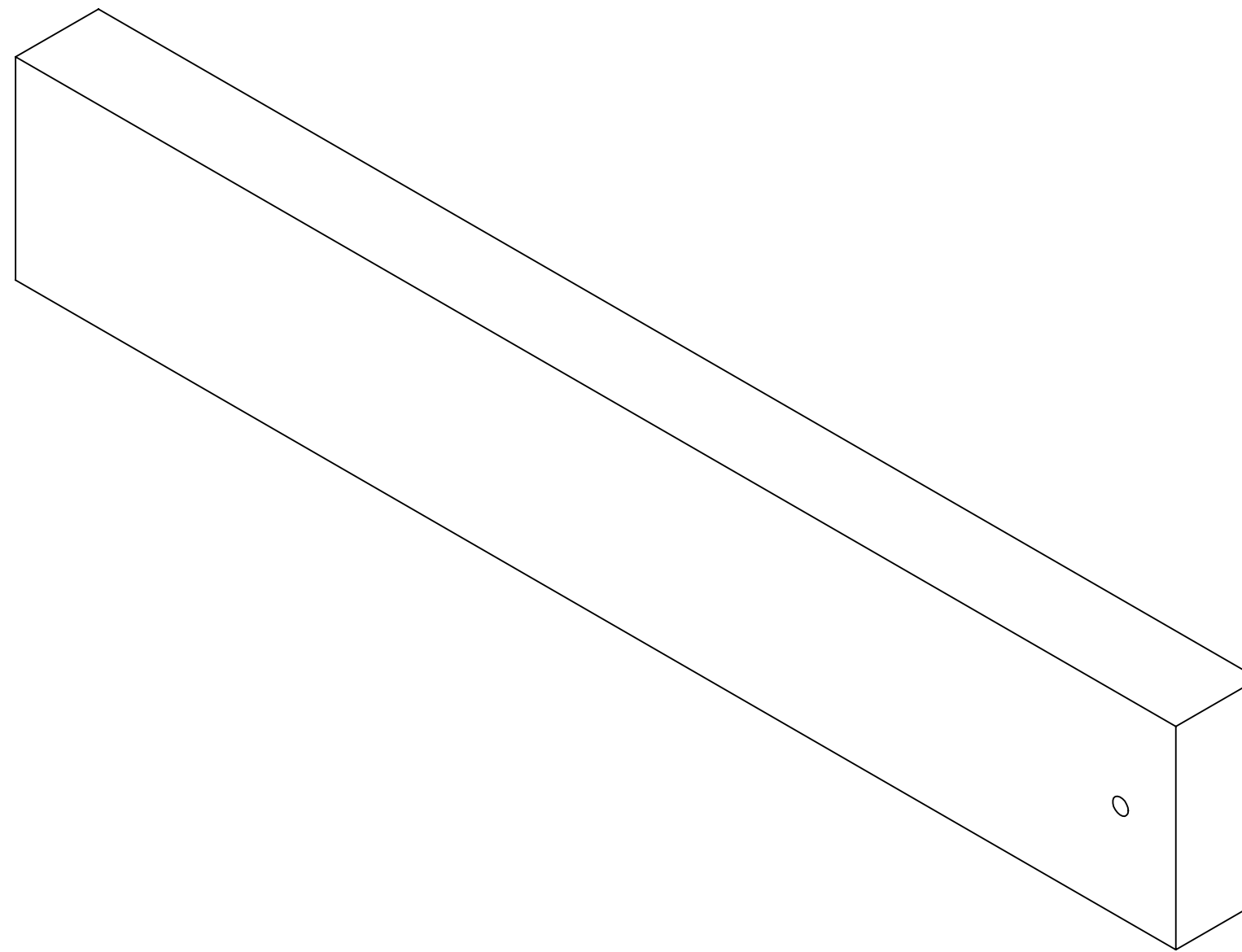
SCALE: 1:3 SHEET 1 OF 1

4

3

2

1



UNLESS OTHERWISE SPECIFIED:

DIMENSIONS ARE IN INCHES
 TOLERANCES:
 FRACTIONAL $\pm 1/16$
 ANGULAR: MACH $\pm 1^\circ$ BEND $\pm 1^\circ$
 TWO PLACE DECIMAL $\pm .13$
 THREE PLACE DECIMAL $\pm .125$

MATERIAL/FINISH:
 2x4 Lumber

DO NOT SCALE DRAWING

TEAM	NAME	DATE
DRAWN	JO	12/11/2023

PROPRIETARY AND CONFIDENTIAL
 THE INFORMATION CONTAINED IN THIS DRAWING IS THE SOLE PROPERTY OF **FIRST**. ANY REPRODUCTION IN PART OR AS A WHOLE WITHOUT THE WRITTEN PERMISSION OF **FIRST** IS PROHIBITED.

COMMENTS:
 REMOVE ALL BURRS AND SHARP EDGES.



TITLE: Ramp Beam

SIZE	DWG. NO.	REV
C	TE-24008	

SCALE: 1:2	SHEET 1 OF 1
------------	--------------

4

3

2

1

D

D

C

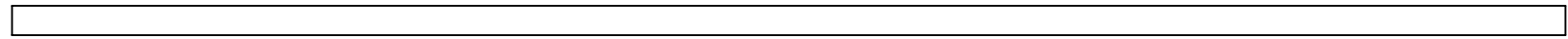
C

B

B

A

A

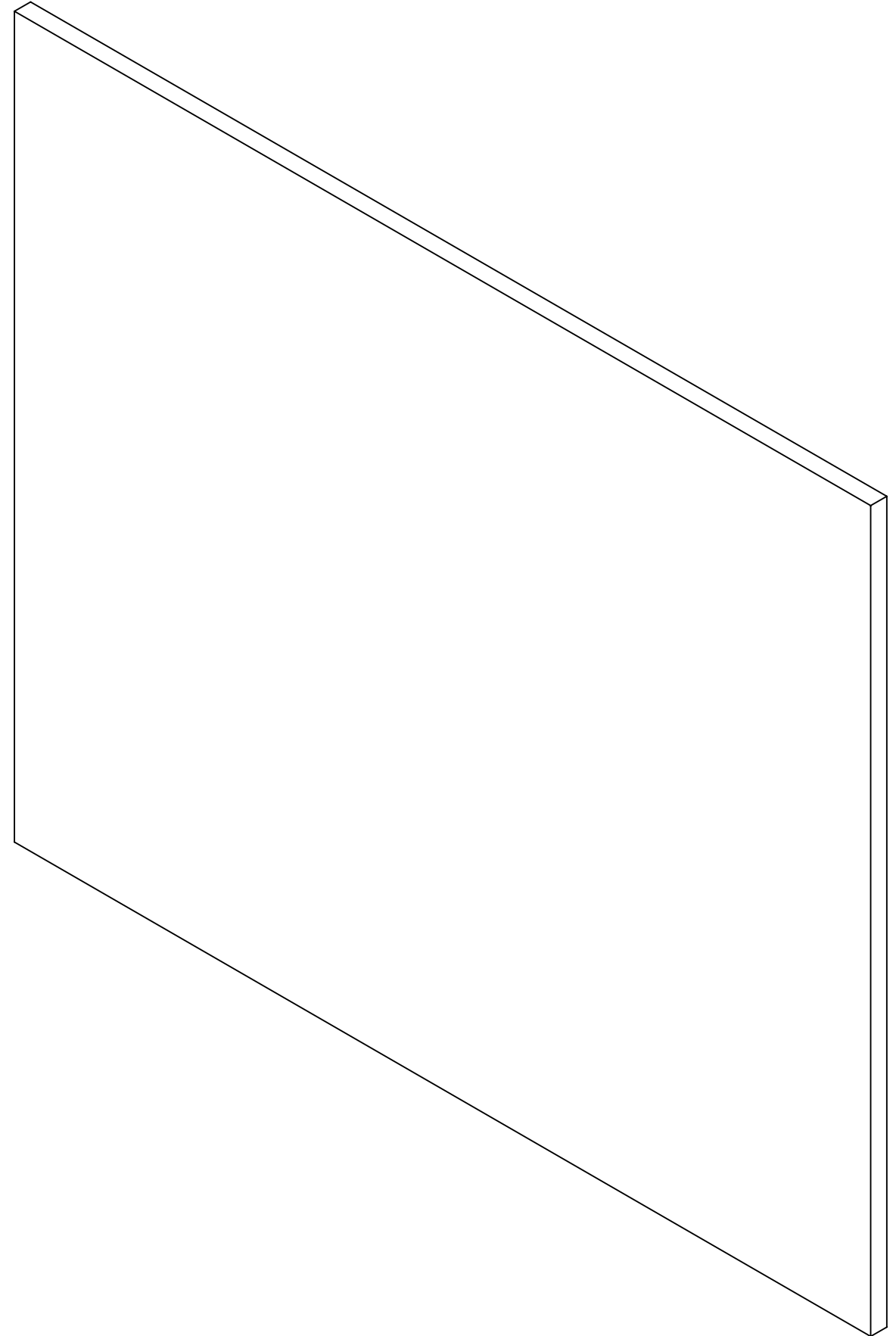




(.47 [$\frac{15}{32}$ "])



25.00 [25"]

21.00 [21"]



UNLESS OTHERWISE SPECIFIED: DIMENSIONS ARE IN INCHES TOLERANCES: FRACTIONAL $\pm 1/16$ ANGULAR: MACH $\pm 1^\circ$ BEND $\pm 1^\circ$ TWO PLACE DECIMAL $\pm .13$ THREE PLACE DECIMAL $\pm .125$ MATERIAL/FINISH: 1/2" Plywood (15/32") DO NOT SCALE DRAWING	TEAM	NAME	DATE	 	
	DRAWN	JO	12/11/2023		
	PROPRIETARY AND CONFIDENTIAL THE INFORMATION CONTAINED IN THIS DRAWING IS THE SOLE PROPERTY OF FIRST . ANY REPRODUCTION IN PART OR AS A WHOLE WITHOUT THE WRITTEN PERMISSION OF FIRST IS PROHIBITED.				TITLE: <h1>Ramp Panel</h1>
	COMMENTS: REMOVE ALL BURRS AND SHARP EDGES.				SIZE: C DWG. NO.: TE-24009 SCALE: 1:3
				REV: SHEET 1 OF 1	

4

3

2

1

D

D

C

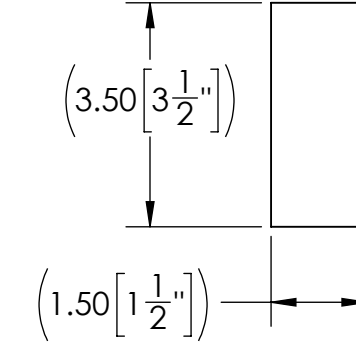
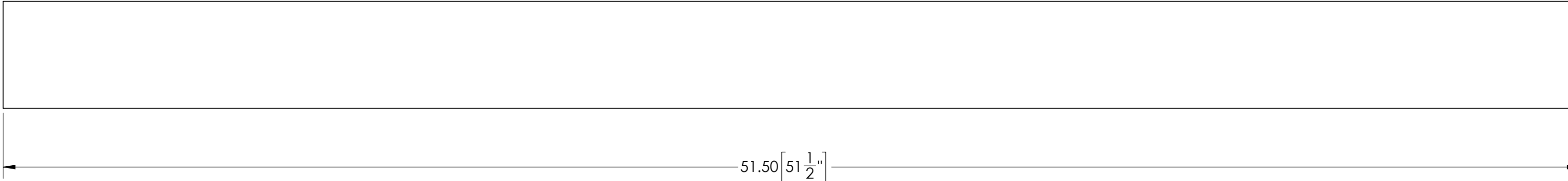
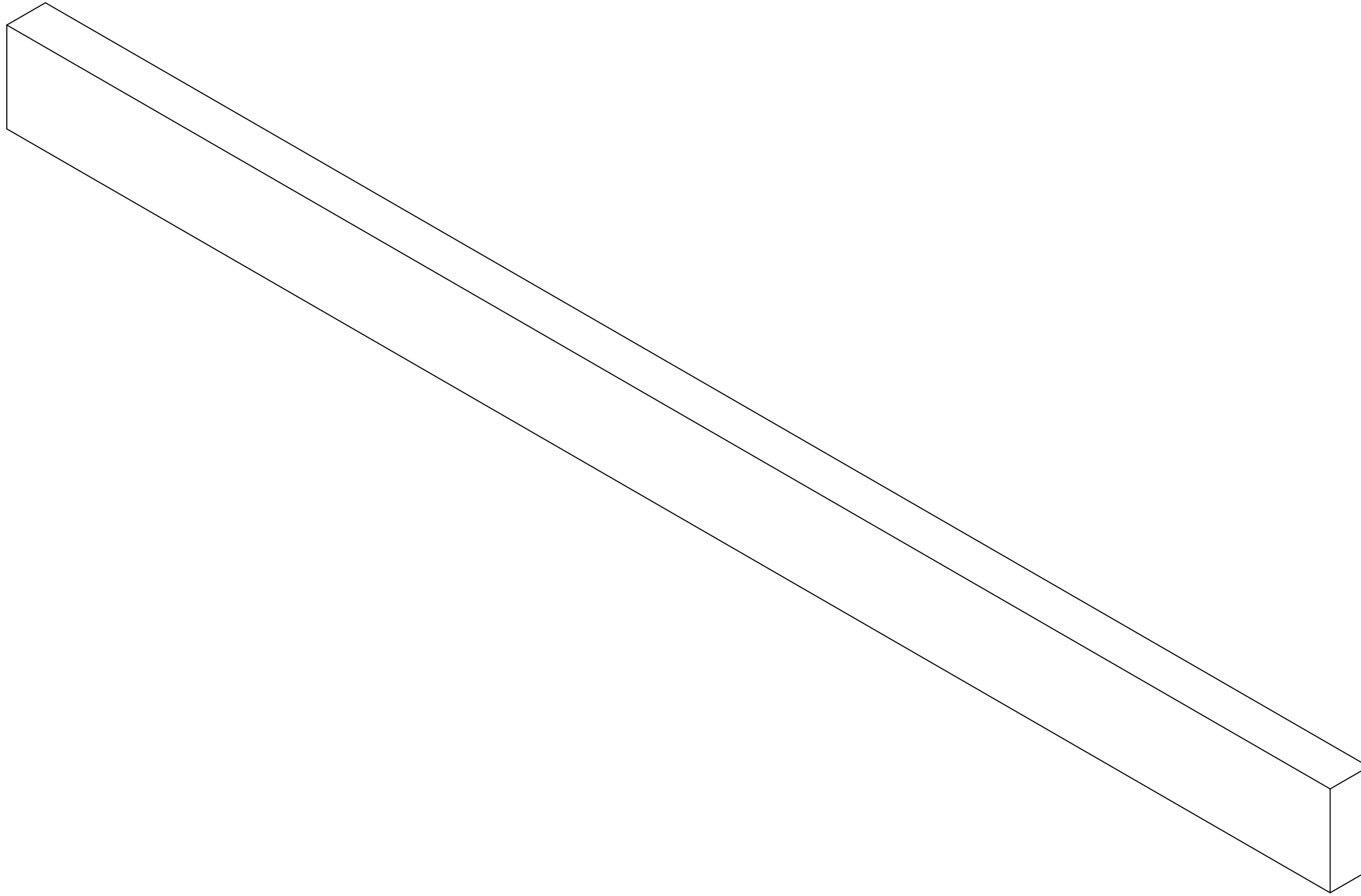
C



B

B

A

A



UNLESS OTHERWISE SPECIFIED: DIMENSIONS ARE IN INCHES TOLERANCES: FRACTIONAL $\pm 1/16$ ANGULAR: MACH $\pm 1^\circ$ BEND $\pm 1^\circ$ TWO PLACE DECIMAL $\pm .13$ THREE PLACE DECIMAL $\pm .125$	TEAM	NAME	DATE	 
	DRAWN	JO	12/11/2023	
MATERIAL/FINISH: 2x4 Lumber	PROPRIETARY AND CONFIDENTIAL THE INFORMATION CONTAINED IN THIS DRAWING IS THE SOLE PROPERTY OF FIRST . ANY REPRODUCTION IN PART OR AS A WHOLE WITHOUT THE WRITTEN PERMISSION OF FIRST IS PROHIBITED.			TITLE: Back Height Beam
COMMENTS: REMOVE ALL BURRS AND SHARP EDGES.	DO NOT SCALE DRAWING			SIZE: C DWG. NO.: TE-24010 REV:
SCALE: 1:3			SHEET 1 OF 1	