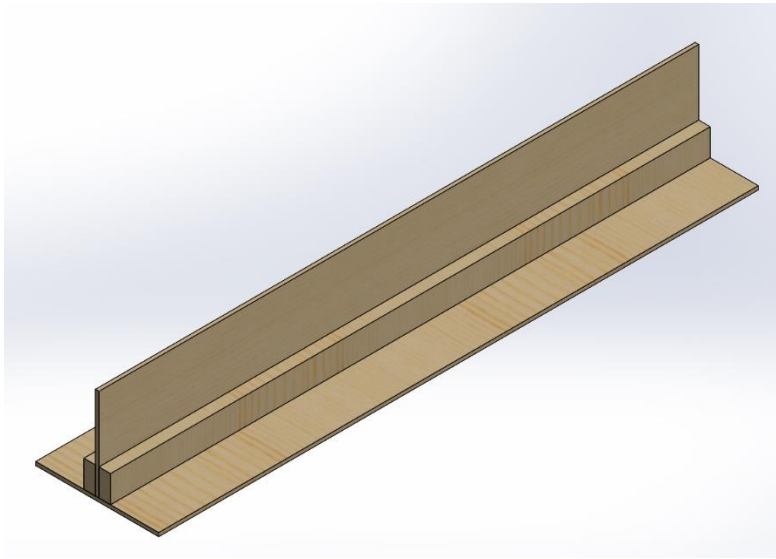


## TE-23050 BARRIER



**Description:** This is a Barrier, designed so that teams can complete a full side of the field for practice.

### FILES INCLUDED

In this compressed folder, you will find all of the drawings, CAD Files and STEP Files for this design.

**Drawings:** For your convenience, all drawing files have been exported to PDF Format. Each major field assembly will have both assembly drawings and component drawings.

**CAD Files:** All SOLIDWORKS files required to build or modify the assembly.

**STEP files:** STEP files of the assembly are included for the convenience of non-SOLIDWORKS users.

### SHOPPING LIST

#### Plywood and Lumber (Example Cut List is at end of Readme):

- 4' x 8' x 1/2" Thick Plywood – 1 Sheet
  - o 1x 78"x12" cut, 1x 78"x16" cut
- 2" x 4" x 8' Lumber – 2 Pieces
  - o 2x 78" pieces (this could be cut down to some smaller segments to fit into on 8' length).

#### Hardware:

- #8 Wood Screws – Approximately 20 Pieces

#### **Notes about materials:**

- Plywood and Hardboard Sheets – quality of plywood is up to the user. Plywood of lower qualities may contain voids and may warp more than high quality plywood. All dimensions listed are “nominal”. For example, 1/2" plywood is typically 15/32".
- Lumber - quality of lumber is up to the user. Please keep in mind that lumber of lower qualities may warp more than high quality lumber. All dimensions below are the “mill cut” dimensions. For example, 2" x 4" lumber is really 1 1/2" x 3 1/2".