

4

3

2

1

D

D

C

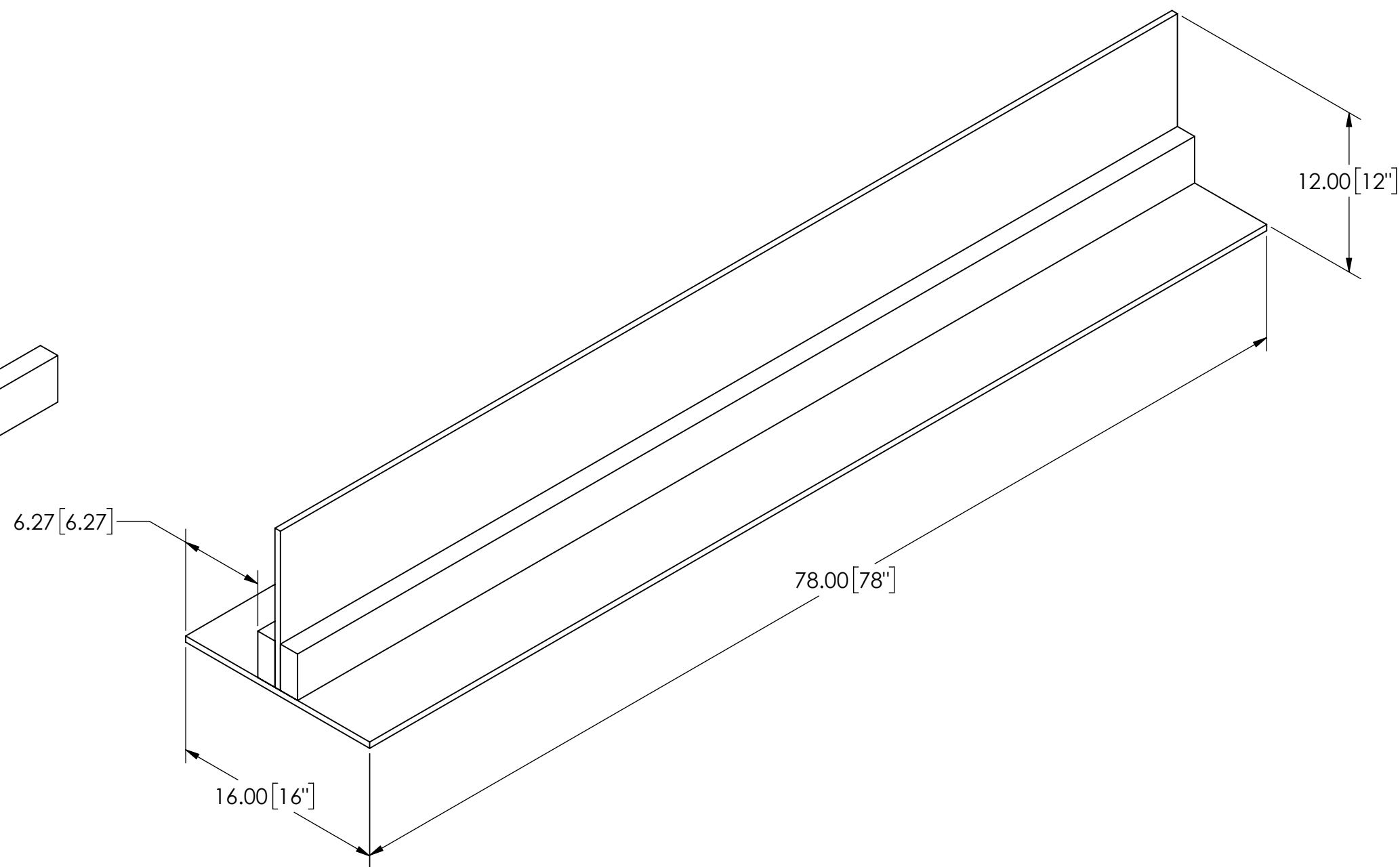
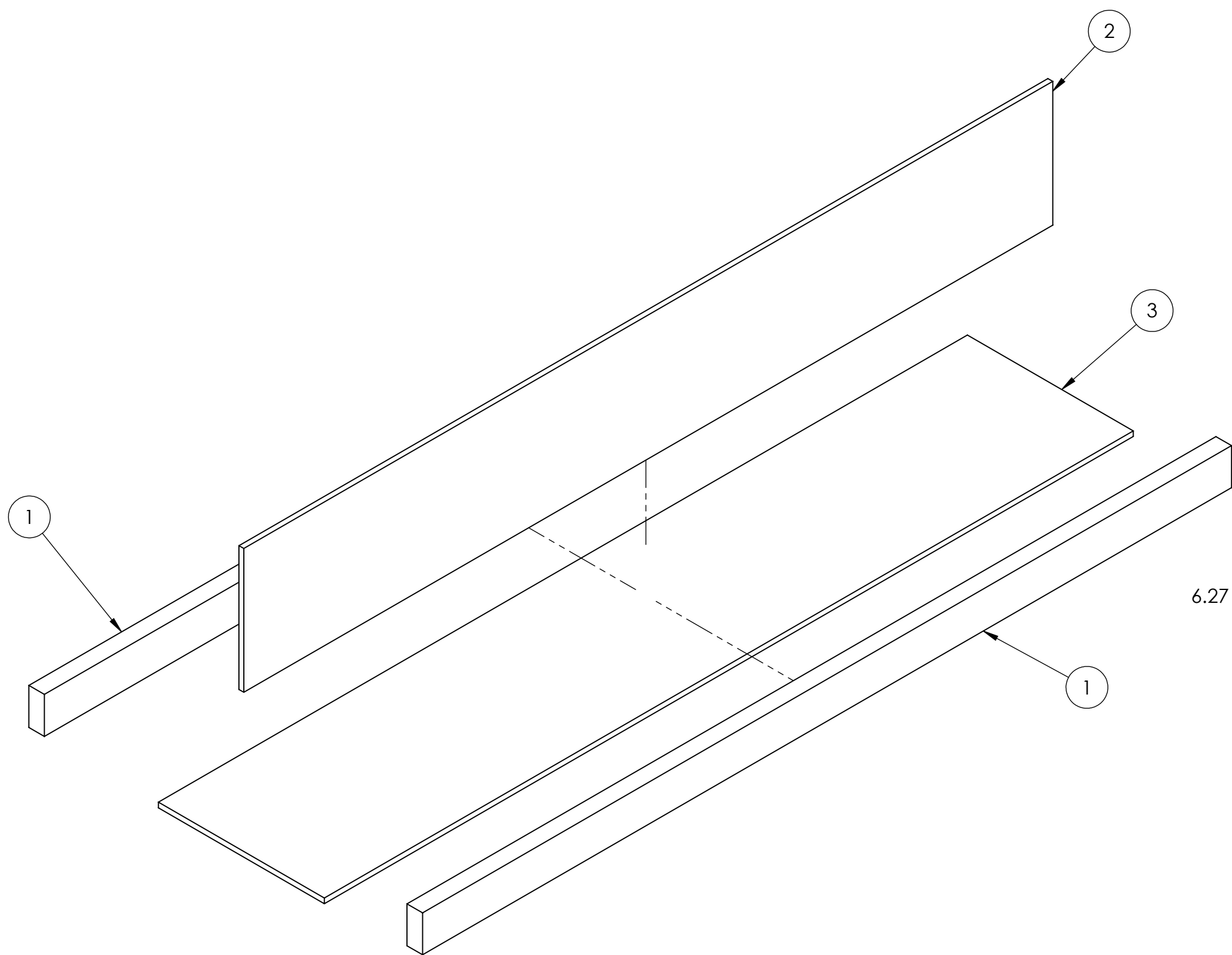
C

B

B

A

A



Assemble with #8 wood screws

ITEM NO.	PART NUMBER	DESCRIPTION	QTY.
1	TE-23051	Barrier 2x4	2
2	TE-23052	Barrier Wall	1
3	TE-23053	Barrier Floor	1

UNLESS OTHERWISE SPECIFIED:

DIMENSIONS ARE IN INCHES  
 TOLERANCES:  
 FRACTIONAL ±1/16  
 ANGULAR: MACH ±1° BEND ±1°  
 TWO PLACE DECIMAL ±.13  
 THREE PLACE DECIMAL ±.125

MATERIAL/FINISH:

DO NOT SCALE DRAWING

TEAM	NAME	DATE
DRAWN	JO	12/22/2022

**PROPRIETARY AND CONFIDENTIAL**  
 THE INFORMATION CONTAINED IN THIS DRAWING IS THE SOLE PROPERTY OF **FIRST®**. ANY REPRODUCTION IN PART OR AS A WHOLE WITHOUT THE WRITTEN PERMISSION OF **FIRST®** IS PROHIBITED.

**COMMENTS:**  
 REMOVE ALL BURRS AND SHARP EDGES.



TITLE: Barrier Assembly

SIZE	DWG. NO.	REV
<b>C</b>	TE-23050	

SCALE: 1:8 SHEET 1 OF 1

4

3

2

1

D

D

C

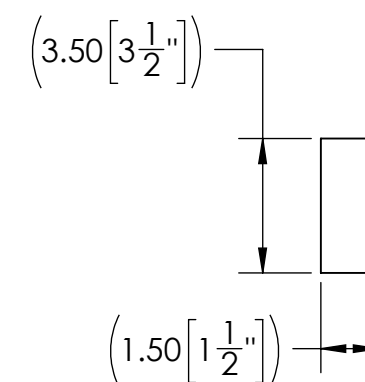
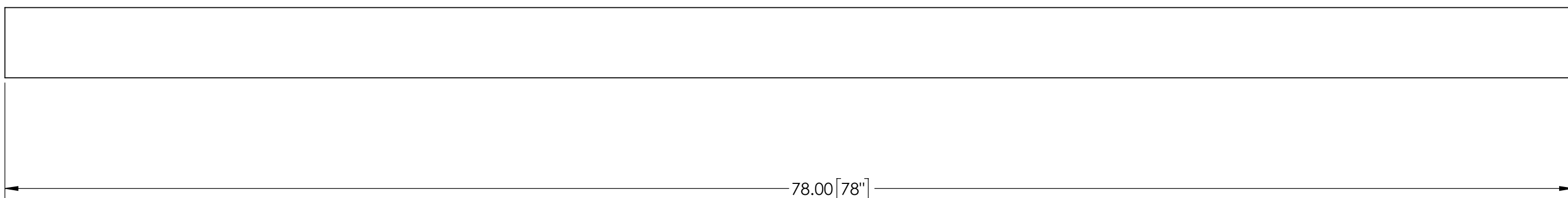
C



B

B

A

A



UNLESS OTHERWISE SPECIFIED:  DIMENSIONS ARE IN INCHES TOLERANCES: FRACTIONAL $\pm 1/16$ ANGULAR: MACH $\pm 1^\circ$ BEND $\pm 1^\circ$ TWO PLACE DECIMAL $\pm .13$ THREE PLACE DECIMAL $\pm .125$  <b>MATERIAL/FINISH:</b> 2 x 4 Lumber  DO NOT SCALE DRAWING	TEAM	NAME	DATE	 
	DRAWN	JO	12/22/2022	
	<b>PROPRIETARY AND CONFIDENTIAL</b>			TITLE: <h2 style="text-align: center;">Barrier 2x4</h2>
	THE INFORMATION CONTAINED IN THIS DRAWING IS THE SOLE PROPERTY OF <b>FIRST</b> . ANY REPRODUCTION IN PART OR AS A WHOLE WITHOUT THE WRITTEN PERMISSION OF <b>FIRST</b> IS PROHIBITED.			
	<b>COMMENTS:</b>			SIZE <b>C</b>
	REMOVE ALL BURRS AND SHARP EDGES.			DWG. NO. <h2 style="text-align: center;">TE-23051</h2>
	SCALE: 1:5		SHEET 1 OF 1	

4

3

2

1

4

3

2

1

D

D

C

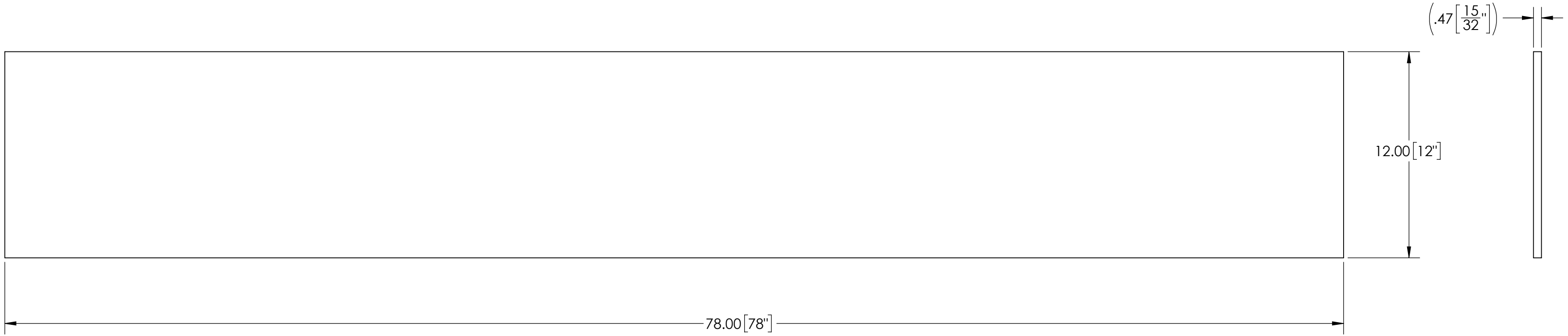
C



B

B

A

A



UNLESS OTHERWISE SPECIFIED:  DIMENSIONS ARE IN INCHES TOLERANCES: FRACTIONAL ±1/16 ANGULAR: MACH ±1° BEND ±1° TWO PLACE DECIMAL ±.13 THREE PLACE DECIMAL ±.125  <b>MATERIAL/FINISH:</b> 1/2" Plywood  DO NOT SCALE DRAWING	TEAM	NAME	DATE	 
	DRAWN	JO	12/22/2022	
	<b>PROPRIETARY AND CONFIDENTIAL</b>			TITLE:
	THE INFORMATION CONTAINED IN THIS DRAWING IS THE SOLE PROPERTY OF <b>FIRST®</b> . ANY REPRODUCTION IN PART OR AS A WHOLE WITHOUT THE WRITTEN PERMISSION OF <b>FIRST®</b> IS PROHIBITED.			Barrier Wall
	<b>COMMENTS:</b> REMOVE ALL BURRS AND SHARP EDGES.			SIZE: <b>C</b> DWG. NO.: TE-23052 REV:
	SCALE: 1:5		SHEET 1 OF 1	

4

3

2

1

16.00 [16"]

(.47 [15/32"])

78.00 [78"]

D

D

C



C

B

B

A

A

UNLESS OTHERWISE SPECIFIED:  DIMENSIONS ARE IN INCHES TOLERANCES: FRACTIONAL ± 1/16 ANGULAR: MACH ± 1° BEND ± 1° TWO PLACE DECIMAL ± .13 THREE PLACE DECIMAL ± .125  <b>MATERIAL/FINISH:</b> 1/2" Plywood  DO NOT SCALE DRAWING	TEAM	NAME	DATE	 
	DRAWN	JO	12/22/2022	
<b>PROPRIETARY AND CONFIDENTIAL</b> THE INFORMATION CONTAINED IN THIS DRAWING IS THE SOLE PROPERTY OF <b>FIRST®</b> . ANY REPRODUCTION IN PART OR AS A WHOLE WITHOUT THE WRITTEN PERMISSION OF <b>FIRST®</b> IS PROHIBITED.				TITLE: <b>Barrier Floor</b>
		COMMENTS: REMOVE ALL BURRS AND SHARP EDGES.	SIZE <b>C</b>	DWG. NO. <b>TE-23053</b>
			SCALE: 1:7	REV SHEET 1 OF 1

4

3

2

1