



ITEM NO.	PART NUMBER	DESCRIPTION	QTY.
1	TE-23005	Cube Shelf Divider Beam	2
2	TE-23018	Cube Shelf Bottom Horizontal	2
3	TE-23019	Cube Shelf Front Vertical	2
4	TE-23020	Cube Shelf Rear Vertical	2
5	TE-23021	Cube Shelf Middle Horizontal	2
6	TE-23022	Cube Shelf Front Short Vertical	2
7	TE-23023	Cube Shelf Top Horizontal	2
8	TE-23024	Cube Shelf Lower Side Panel	2
9	TE-23025	Cube Shelf Upper Side Panel	2
10	TE-23026	Cube Shelf Front Panel	1
11	TE-23027	Cube Shelf Scoring Platform	2
12	TE-23028	Cube Shelf Upper Panel	2
13	hex_.25_20_2	Steel Hex Head Bolt 1/4"-20 x 2" long, fully threaded	20
14	TeeNut_.25_20	Soft wood fiber tee nut	20
15	washer_flat_.25	Flat Washer for 1/4" Screw	20

NOTE: All holes shown are for bolt/t-nut connections that are included to make it easier to store this assembly. If storage of this assembly is not a concern, wood screws could be used instead of bolts and t-nuts and all drilled holes can be skipped.

UNLESS OTHERWISE SPECIFIED:  
 DIMENSIONS ARE IN INCHES  
 TOLERANCES:  
 FRACTIONAL ±1/16  
 ANGULAR: MACH ±1° BEND ±1°  
 TWO PLACE DECIMAL ±.13  
 THREE PLACE DECIMAL ±.125  
 MATERIAL/FINISH:  
 DO NOT SCALE DRAWING

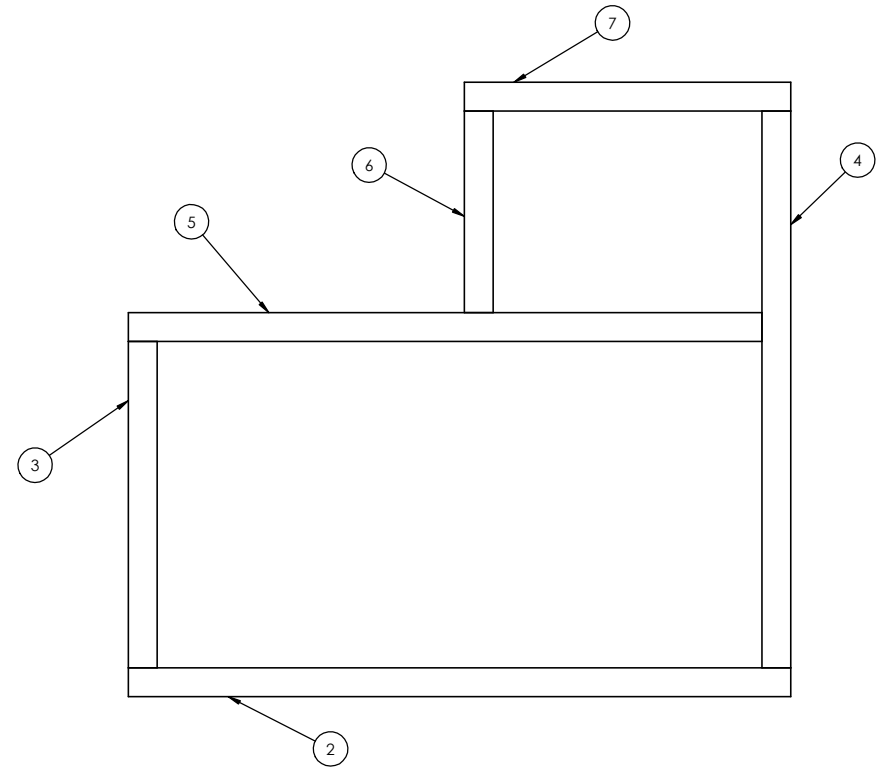
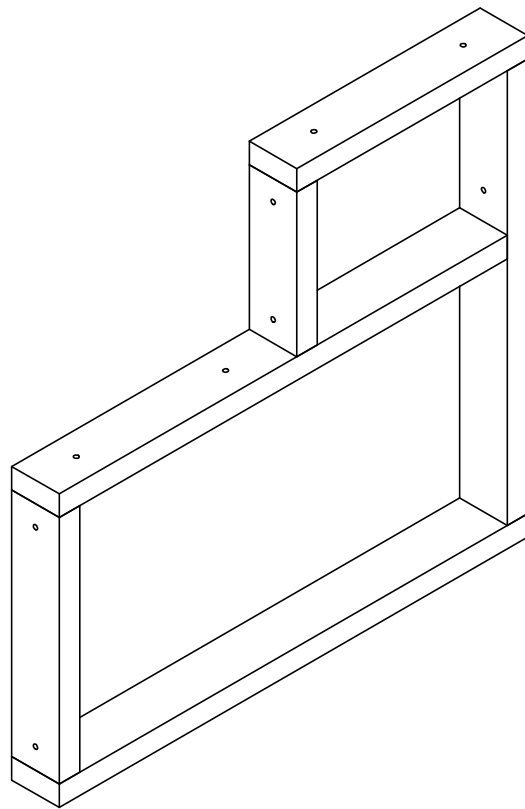
TEAM	NAME	DATE
DRAWN	JO	12/16/2022
<b>PROPRIETARY AND CONFIDENTIAL</b>		
THE INFORMATION CONTAINED IN THIS DRAWING IS THE SOLE PROPERTY OF FIRST®. ANY REPRODUCTION IN PART OR AS A WHOLE WITHOUT THE WRITTEN PERMISSION OF FIRST® IS PROHIBITED.		
<b>COMMENTS:</b>		
REMOVE ALL BURRS AND SHARP EDGES.		



TITLE: **Cube Shelf**

SIZE	DWG. NO.	REV
<b>C</b>	TE-23004	

SCALE: 1:5 SHEET 1 OF 5



Step 1: Assemble 2x Cube Shelf Side Frames using #8 wood screws. Match orientation of t-nut holes as shown above if you are using them.

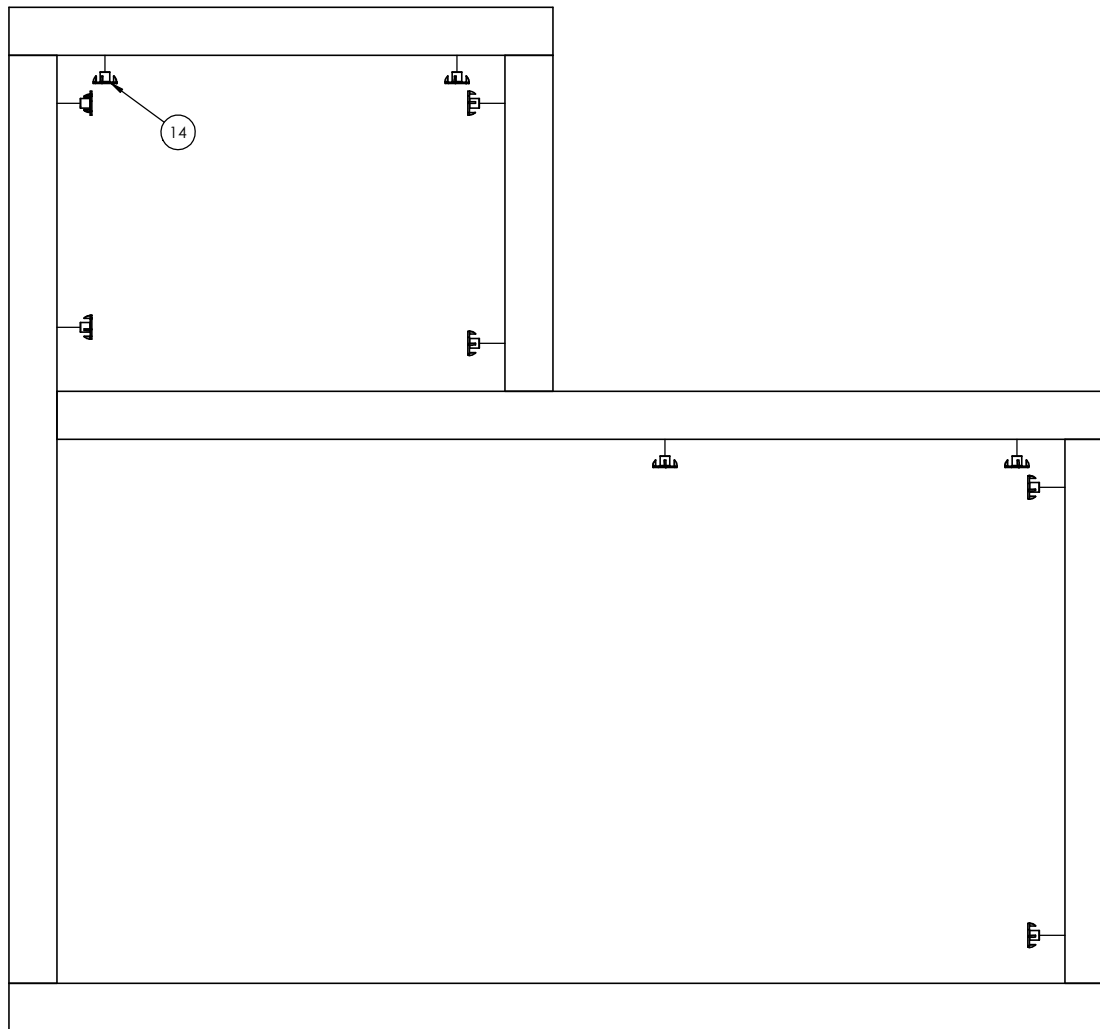
UNLESS OTHERWISE SPECIFIED:	TEAM	NAME	DATE	 
	DRAWN	JO	12/16/2022	
DIMENSIONS ARE IN INCHES TOLERANCES: FRACTIONAL $\pm 1/16$ ANGULAR: MACH $\pm 1^\circ$ BEND $\pm 1^\circ$ TWO PLACE DECIMAL $\pm .13$ THREE PLACE DECIMAL $\pm .125$	<b>PROPRIETARY AND CONFIDENTIAL</b>			TITLE:
<b>MATERIAL/FINISH:</b>	THE INFORMATION CONTAINED IN THIS DRAWING IS THE SOLE PROPERTY OF FIRST®. ANY REPRODUCTION IN PART OR AS A WHOLE WITHOUT THE WRITTEN PERMISSION OF FIRST® IS PROHIBITED.			Cube Shelf
DO NOT SCALE DRAWING	<b>COMMENTS:</b>			SIZE DWG. NO. REV <b>C</b> TE-23004
	REMOVE ALL BURRS AND SHARP EDGES.			SCALE: 1:5 SHEET 2 OF 5

4

3

2

1



Step 2: Install (14) t-nuts as shown if you are using them for storage.

UNLESS OTHERWISE SPECIFIED:	TEAM	NAME	DATE
	DRAWN	JO	12/16/2022
DIMENSIONS ARE IN INCHES TOLERANCES: FRACTIONAL $\pm 1/16$ ANGULAR: MACH $\pm 1^\circ$ BEND $\pm 1^\circ$ TWO PLACE DECIMAL $\pm .13$ THREE PLACE DECIMAL $\pm .125$	<b>PROPRIETARY AND CONFIDENTIAL</b>		
	THE INFORMATION CONTAINED IN THIS DRAWING IS THE SOLE PROPERTY OF FIRST®. ANY REPRODUCTION IN PART OR AS A WHOLE WITHOUT THE WRITTEN PERMISSION OF FIRST® IS PROHIBITED.		
	<b>COMMENTS:</b> REMOVE ALL BURRS AND SHARP EDGES.		
<b>MATERIAL/FINISH:</b>			
TITLE:		Cube Shelf	
SIZE	DWG. NO.	REV	
<b>C</b>	TE-23004		
SCALE: 1:3		SHEET 3 OF 5	
DO NOT SCALE DRAWING			

4

3

2

1

A

B

C

D

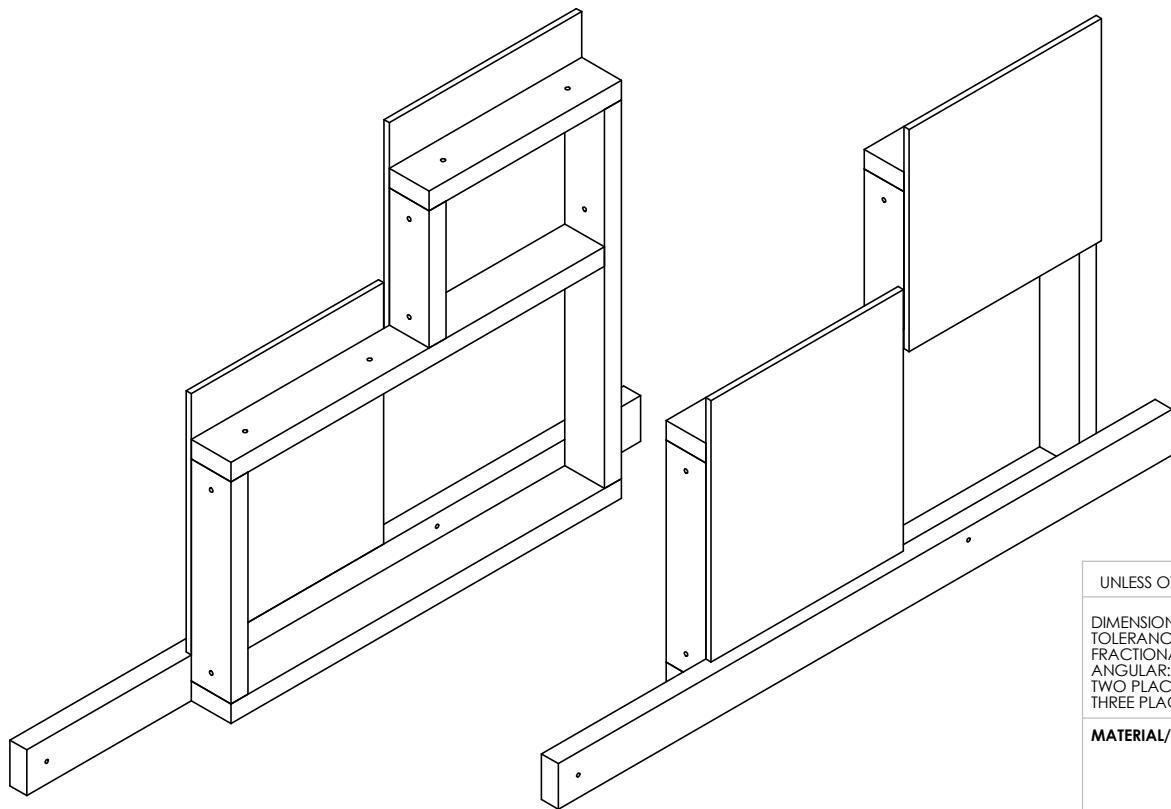
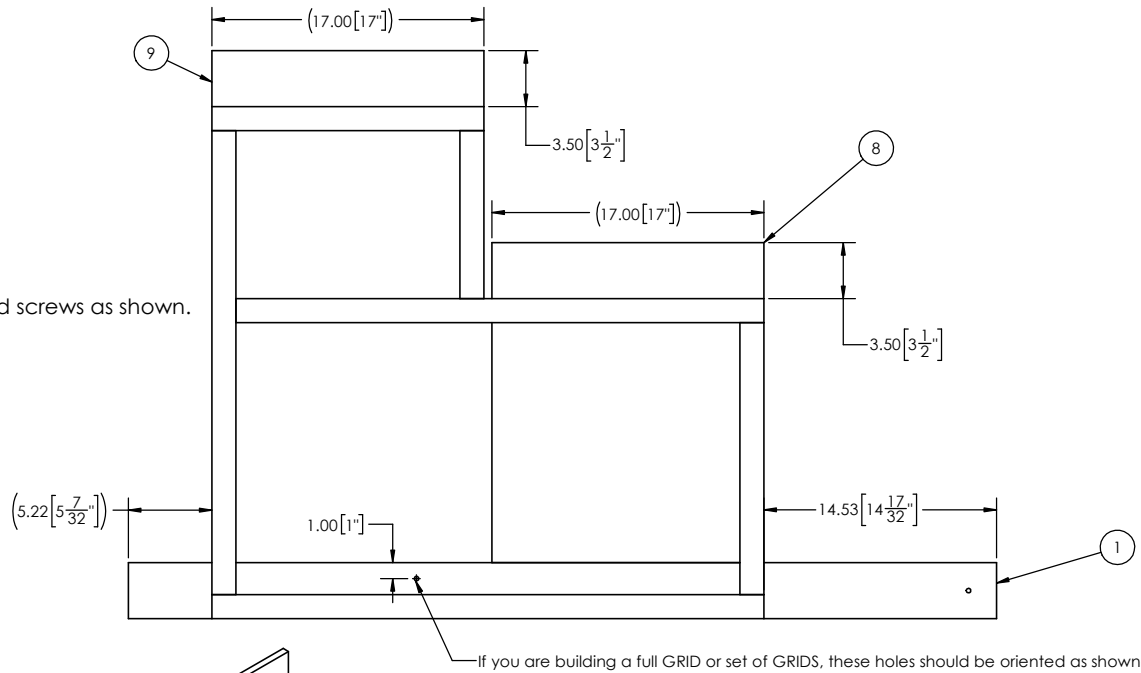
4

3

2

1

Step 3: Attach **1**, **8** and **9** to the Cube Shelf Side Frames with #8 wood screws as shown.  
 Create a left and right version, as shown below.



UNLESS OTHERWISE SPECIFIED:	TEAM	NAME	DATE
	DRAWN	JO	12/16/2022
DIMENSIONS ARE IN INCHES TOLERANCES: FRACTIONAL ± 1/16 ANGULAR: MACH ± 1° BEND ± 1° TWO PLACE DECIMAL ± .13 THREE PLACE DECIMAL ± .125	<b>PROPRIETARY AND CONFIDENTIAL</b>		
	THE INFORMATION CONTAINED IN THIS DRAWING IS THE SOLE PROPERTY OF FIRST®. ANY REPRODUCTION IN PART OR AS A WHOLE WITHOUT THE WRITTEN PERMISSION OF FIRST® IS PROHIBITED.		
	<b>COMMENTS:</b>		
	REMOVE ALL BURRS AND SHARP EDGES.		
DO NOT SCALE DRAWING	TITLE:		Cube Shelf
	SIZE	DWG. NO.	REV
	<b>C</b>	TE-23004	
	SCALE: 1:6	SHEET 4 OF 5	

4

3

2

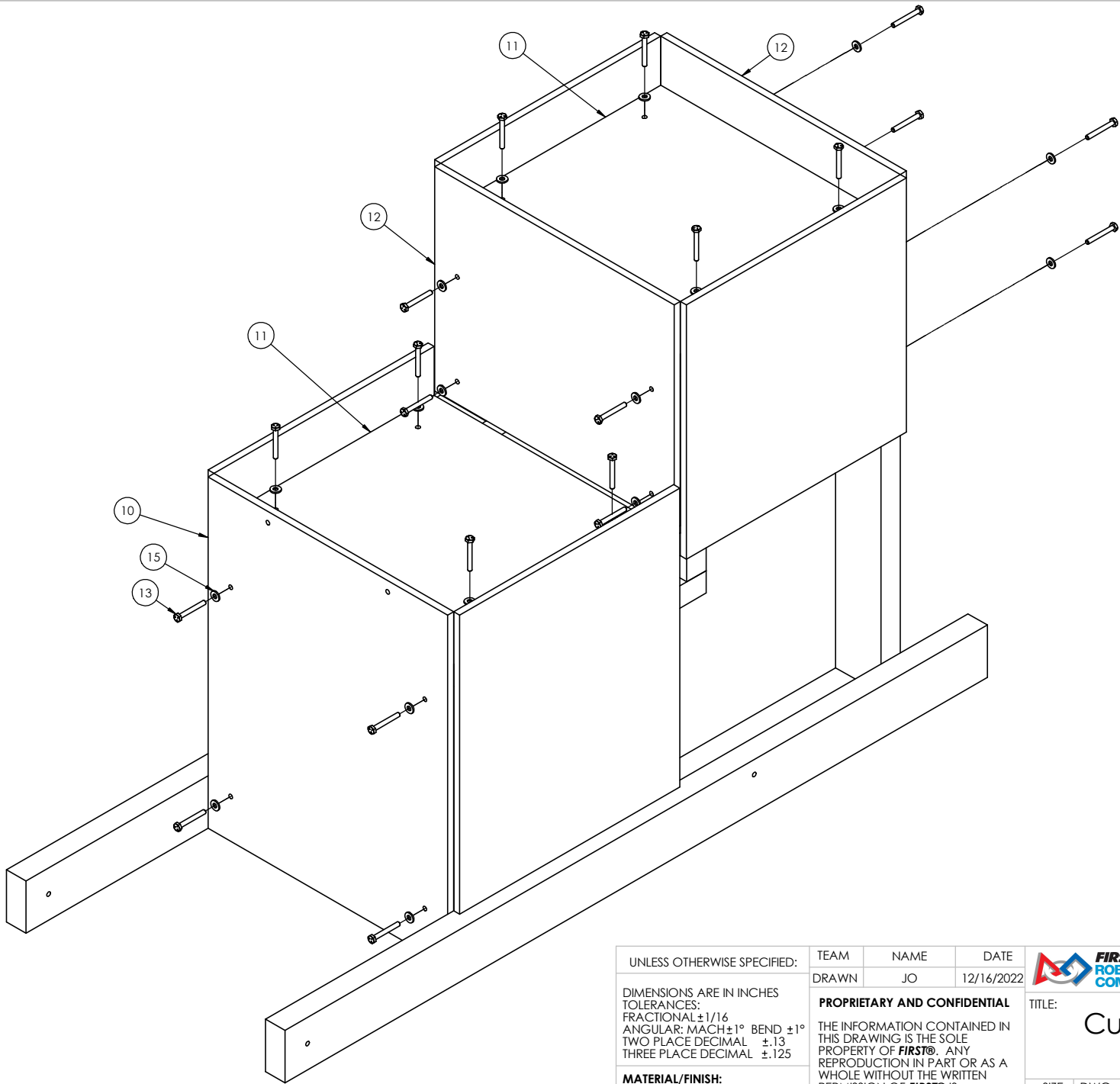
1

4



3

2

1



Step 4: Attach (10), (11) and (12) panels to the frames with 1/4-20 x 2" Long Hex Head Bolts (13) into t-nuts as shown (or #8 wood screws), washers (15) are optional. Panels should end up flush with each other at the top edges.

UNLESS OTHERWISE SPECIFIED: DIMENSIONS ARE IN INCHES TOLERANCES: FRACTIONAL ±1/16 ANGULAR: MACH ±1° BEND ±1° TWO PLACE DECIMAL ±.13 THREE PLACE DECIMAL ±.125	TEAM	NAME	DATE	 
	DRAWN	JO	12/16/2022	
MATERIAL/FINISH:	<b>PROPRIETARY AND CONFIDENTIAL</b>			TITLE:
	THE INFORMATION CONTAINED IN THIS DRAWING IS THE SOLE PROPERTY OF FIRST®. ANY REPRODUCTION IN PART OR AS A WHOLE WITHOUT THE WRITTEN PERMISSION OF FIRST® IS PROHIBITED.			Cube Shelf
DO NOT SCALE DRAWING	COMMENTS: REMOVE ALL BURRS AND SHARP EDGES.			SIZE DWG. NO. REV
				<b>C</b> TE-23004
			SCALE: 1:4	SHEET 5 OF 5

4

3

2

1

D

C

B

A

4

3

2

1

D

D

C

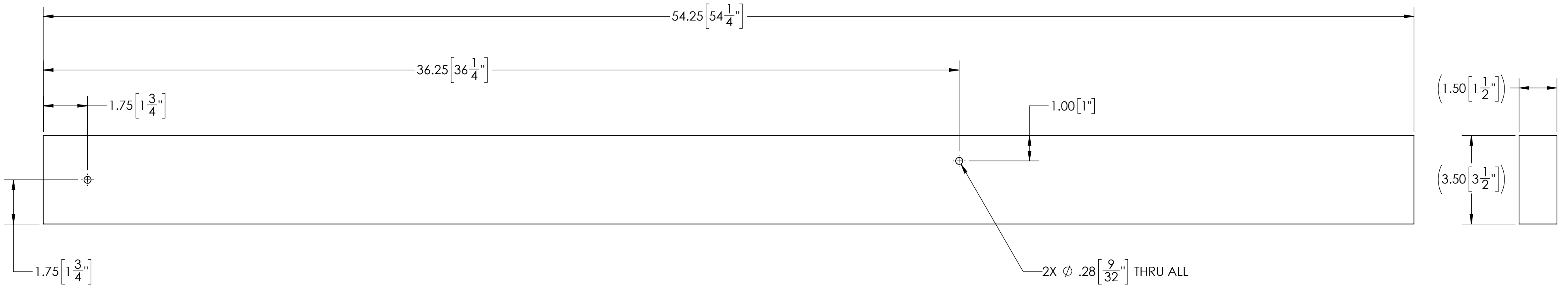
C



B

B

A

A



UNLESS OTHERWISE SPECIFIED:  DIMENSIONS ARE IN INCHES TOLERANCES: FRACTIONAL $\pm 1/16$ ANGULAR: MACH $\pm 1^\circ$ BEND $\pm 1^\circ$ TWO PLACE DECIMAL $\pm .13$ THREE PLACE DECIMAL $\pm .125$  <b>MATERIAL/FINISH:</b> 2" x 4" Lumber  DO NOT SCALE DRAWING	TEAM	NAME	DATE	 
	DRAWN	JO	11/7/2022	
<b>PROPRIETARY AND CONFIDENTIAL</b> THE INFORMATION CONTAINED IN THIS DRAWING IS THE SOLE PROPERTY OF <b>FIRST</b> . ANY REPRODUCTION IN PART OR AS A WHOLE WITHOUT THE WRITTEN PERMISSION OF <b>FIRST</b> IS PROHIBITED.				TITLE:
				Cube Shelf Divider Beam
SIZE		DWG. NO.	REV	
<b>C</b>		TE-23005		
SCALE: 1:3		SHEET 1 OF 1		

4

3

2

1

4

3

2

1

D

D

C

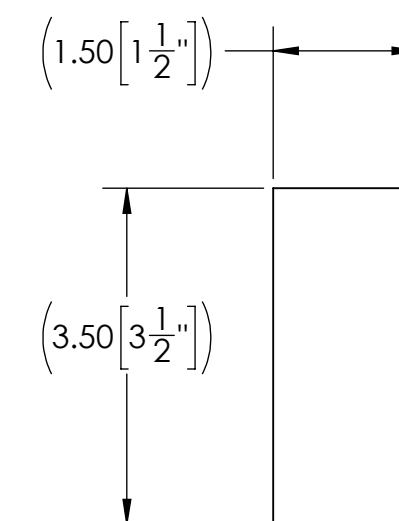
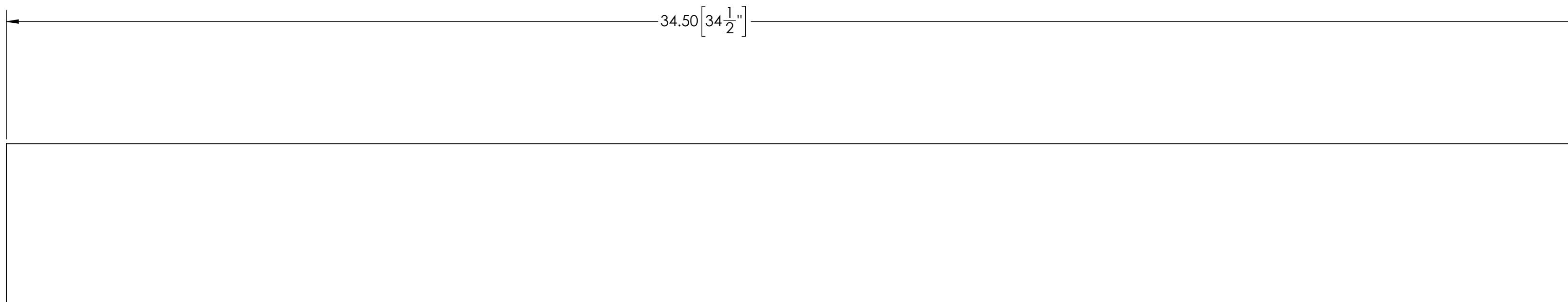
C



B

B

A

A



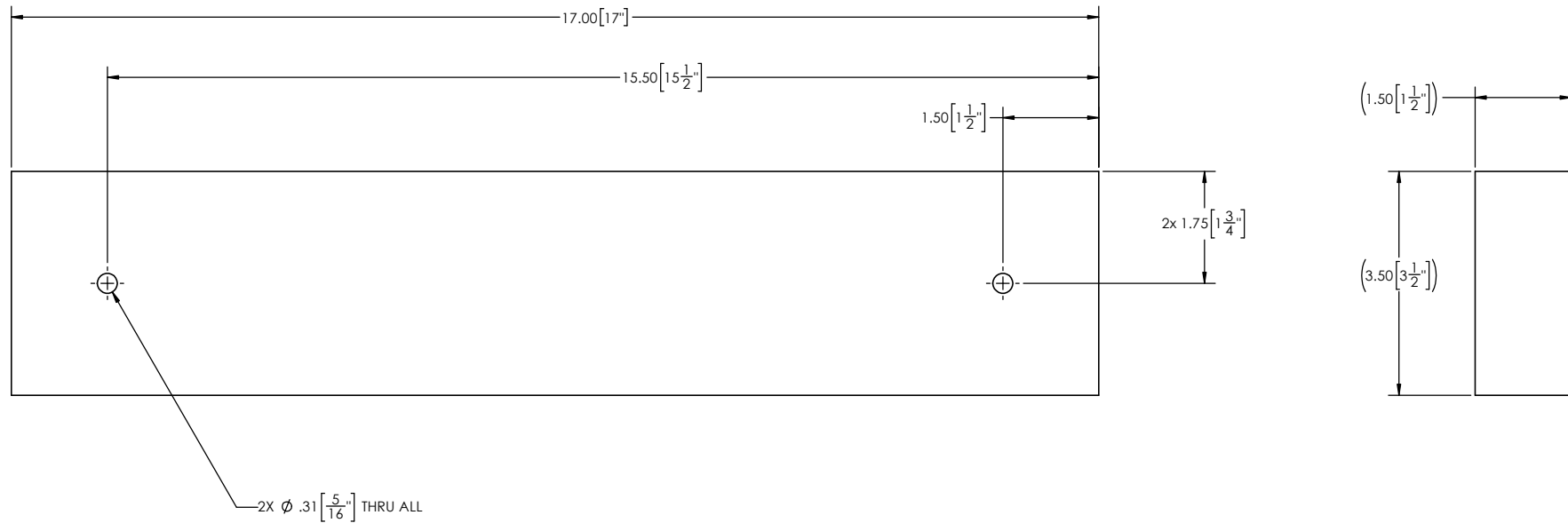
UNLESS OTHERWISE SPECIFIED:	TEAM	NAME	DATE	 
	DRAWN	JO	11/7/2022	
DIMENSIONS ARE IN INCHES TOLERANCES: FRACTIONAL $\pm 1/16$ ANGULAR: MACH $\pm 1^\circ$ BEND $\pm 1^\circ$ TWO PLACE DECIMAL $\pm .13$ THREE PLACE DECIMAL $\pm .125$	<b>PROPRIETARY AND CONFIDENTIAL</b>			TITLE: <b>Cube Shelf Bottom Horizontal</b>
	THE INFORMATION CONTAINED IN THIS DRAWING IS THE SOLE PROPERTY OF <b>FIRST®</b> . ANY REPRODUCTION IN PART OR AS A WHOLE WITHOUT THE WRITTEN PERMISSION OF <b>FIRST®</b> IS PROHIBITED.			
<b>MATERIAL/FINISH:</b>	2" x 4" Lumber			SIZE: <b>C</b> DWG. NO.: <b>TE-23018</b>
<b>COMMENTS:</b>	REMOVE ALL BURRS AND SHARP EDGES.			REV
DO NOT SCALE DRAWING	SCALE: 1:2		SHEET 1 OF 1	



4

3

2

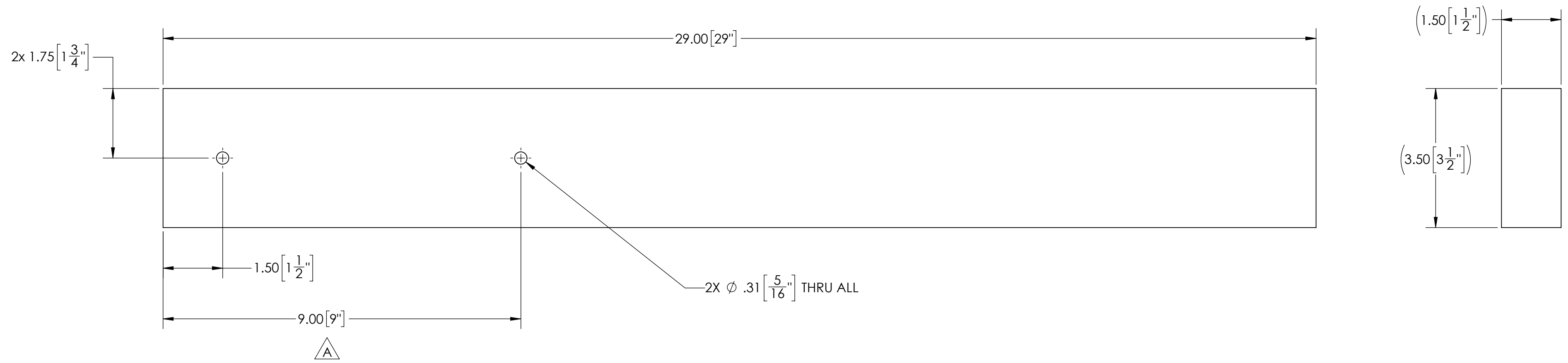
1





UNLESS OTHERWISE SPECIFIED:	TEAM	NAME	DATE
	DRAWN	JO	11/7/2022
DIMENSIONS ARE IN INCHES TOLERANCES: FRACTIONAL $\pm 1/16$ ANGULAR: MACH $\pm 1^\circ$ BEND $\pm 1^\circ$ TWO PLACE DECIMAL $\pm .13$ THREE PLACE DECIMAL $\pm .125$	<b>PROPRIETARY AND CONFIDENTIAL</b>		
	THE INFORMATION CONTAINED IN THIS DRAWING IS THE SOLE PROPERTY OF FIRST®. ANY REPRODUCTION IN PART OR AS A WHOLE WITHOUT THE WRITTEN PERMISSION OF FIRST® IS PROHIBITED.		
<b>MATERIAL/FINISH:</b>	 		
2" x 4" Lumber	<b>TITLE:</b> <h2 style="text-align: center;">Cube Shelf Front Vertical</h2>		
DO NOT SCALE DRAWING	<b>COMMENTS:</b>	SIZE	DWG. NO.
	REMOVE ALL BURRS AND SHARP EDGES.	<b>C</b>	TE-23019
		SCALE: 3:4	SHEET 1 OF 1



REVISIONS				
ZONE	REV.	DESCRIPTION	DATE	APPROVED
B4	A	Hole Location Change	1/4/2023	JO



UNLESS OTHERWISE SPECIFIED: DIMENSIONS ARE IN INCHES TOLERANCES: FRACTIONAL $\pm 1/16$ ANGULAR: MACH $\pm 1^\circ$ BEND $\pm 1^\circ$ TWO PLACE DECIMAL $\pm .13$ THREE PLACE DECIMAL $\pm .125$	TEAM	NAME	DATE	 
	DRAWN	JO	11/7/2022	
<b>MATERIAL/FINISH:</b> 2" x 4" Lumber	<b>PROPRIETARY AND CONFIDENTIAL</b> THE INFORMATION CONTAINED IN THIS DRAWING IS THE SOLE PROPERTY OF <b>FIRST</b> . ANY REPRODUCTION IN PART OR AS A WHOLE WITHOUT THE WRITTEN PERMISSION OF <b>FIRST</b> IS PROHIBITED.			TITLE: <b>Cube Shelf Rear Vertical</b>
<b>COMMENTS:</b> REMOVE ALL BURRS AND SHARP EDGES.	SCALE: 1:2	DWG. NO. <b>C TE-23020</b>	REV <b>A</b>	SHEET 1 OF 1
DO NOT SCALE DRAWING				

4

3

2

1

D

D

C

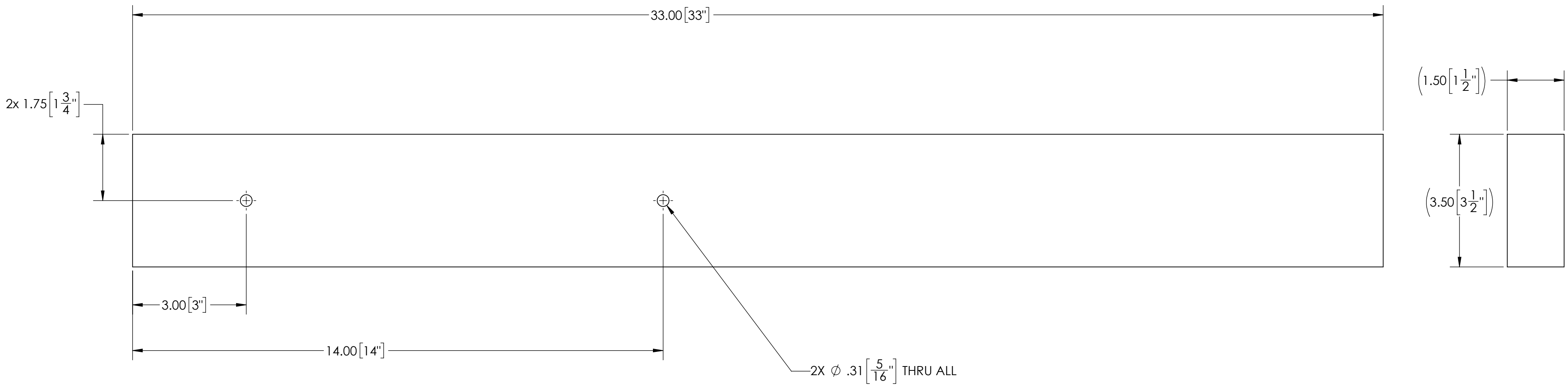
C



B

B

A

A



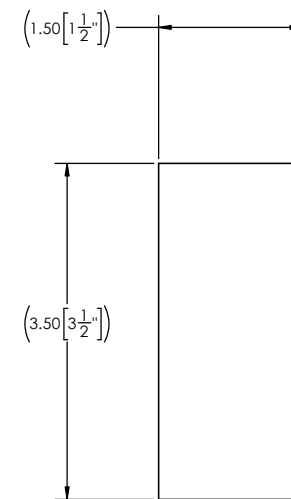
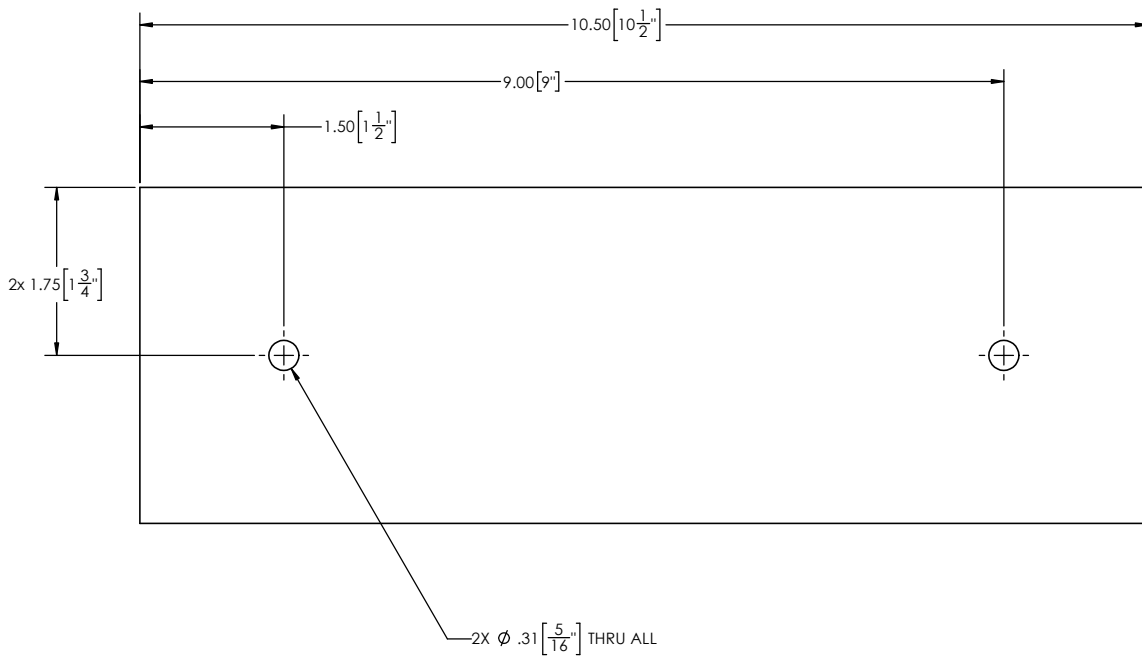
UNLESS OTHERWISE SPECIFIED:  DIMENSIONS ARE IN INCHES TOLERANCES: FRACTIONAL ± 1/16 ANGULAR: MACH ± 1° BEND ± 1° TWO PLACE DECIMAL ± .13 THREE PLACE DECIMAL ± .125  <b>MATERIAL/FINISH:</b> 2" x 4" Lumber  DO NOT SCALE DRAWING	TEAM	NAME	DATE	 
	DRAWN	JO	11/7/2022	
<b>PROPRIETARY AND CONFIDENTIAL</b>		THE INFORMATION CONTAINED IN THIS DRAWING IS THE SOLE PROPERTY OF <b>FIRST®</b> . ANY REPRODUCTION IN PART OR AS A WHOLE WITHOUT THE WRITTEN PERMISSION OF <b>FIRST®</b> IS PROHIBITED.		TITLE:
				Cube Shelf Middle Horizontal
		COMMENTS:	REMOVE ALL BURRS AND SHARP EDGES.	SIZE
				DWG. NO.
				REV
				<b>C</b> TE-23021
				SCALE: 1:2
				SHEET 1 OF 1

4

3

2

1



UNLESS OTHERWISE SPECIFIED:	TEAM	NAME	DATE
	DRAWN	JO	11/7/2022
DIMENSIONS ARE IN INCHES TOLERANCES: FRACTIONAL ±1/16 ANGULAR: MACH ±1° BEND ±1° TWO PLACE DECIMAL ±.13 THREE PLACE DECIMAL ±.125	<b>PROPRIETARY AND CONFIDENTIAL</b>		
	THE INFORMATION CONTAINED IN THIS DRAWING IS THE SOLE PROPERTY OF FIRST®. ANY REPRODUCTION IN PART OR AS A WHOLE WITHOUT THE WRITTEN PERMISSION OF FIRST® IS PROHIBITED.		
	<b>COMMENTS:</b> REMOVE ALL BURRS AND SHARP EDGES.		
<b>MATERIAL/FINISH:</b> 2" x 4" Lumber	TITLE:		<b>Cube Shelf Front Short Vertical</b>
DO NOT SCALE DRAWING	SIZE	DWG. NO.	REV
	<b>C</b>	TE-23022	
SCALE: 1:1		SHEET 1 OF 1	



4

3

2

1

D

D

C

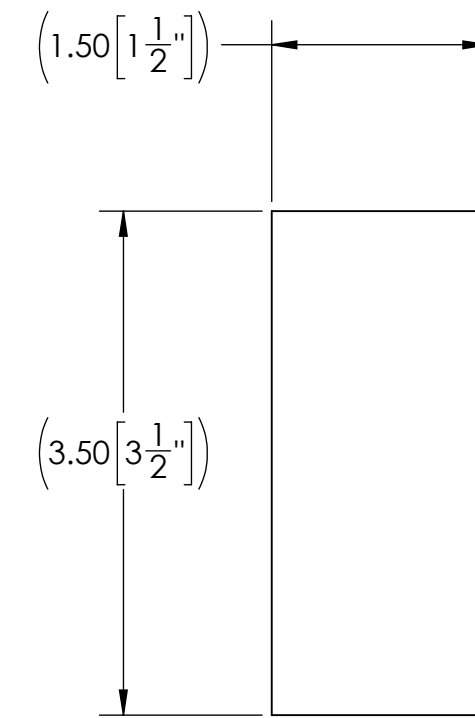
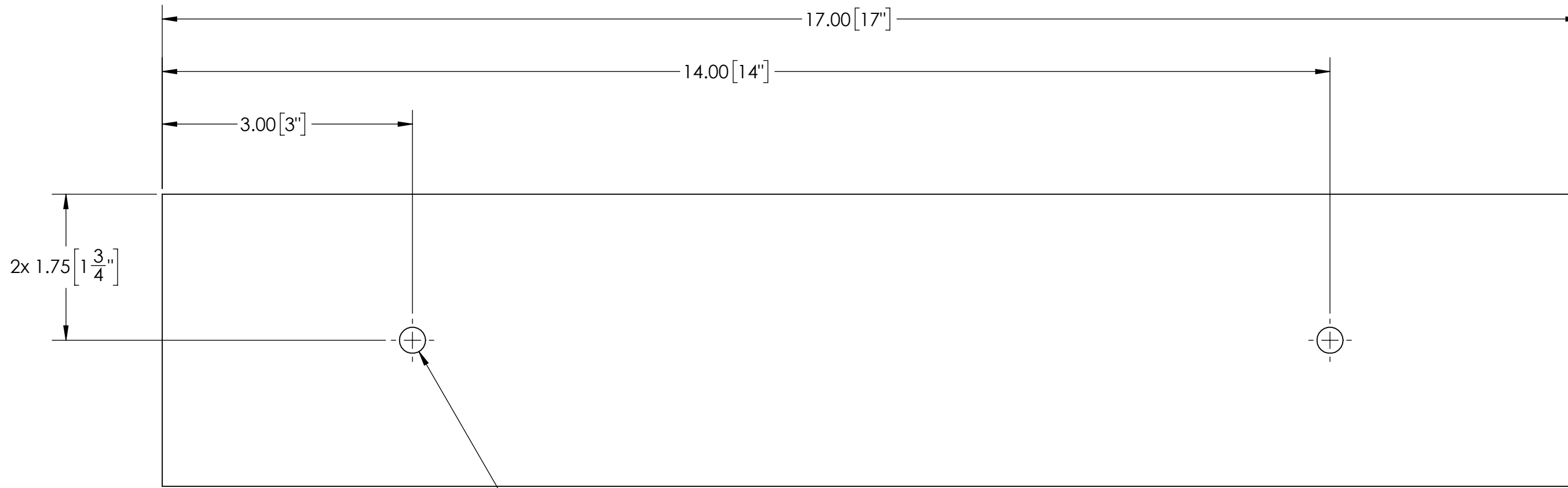
C

B



B

A

A



2X  $\phi$  .31 [ $\frac{5}{16}$ "] THRU ALL

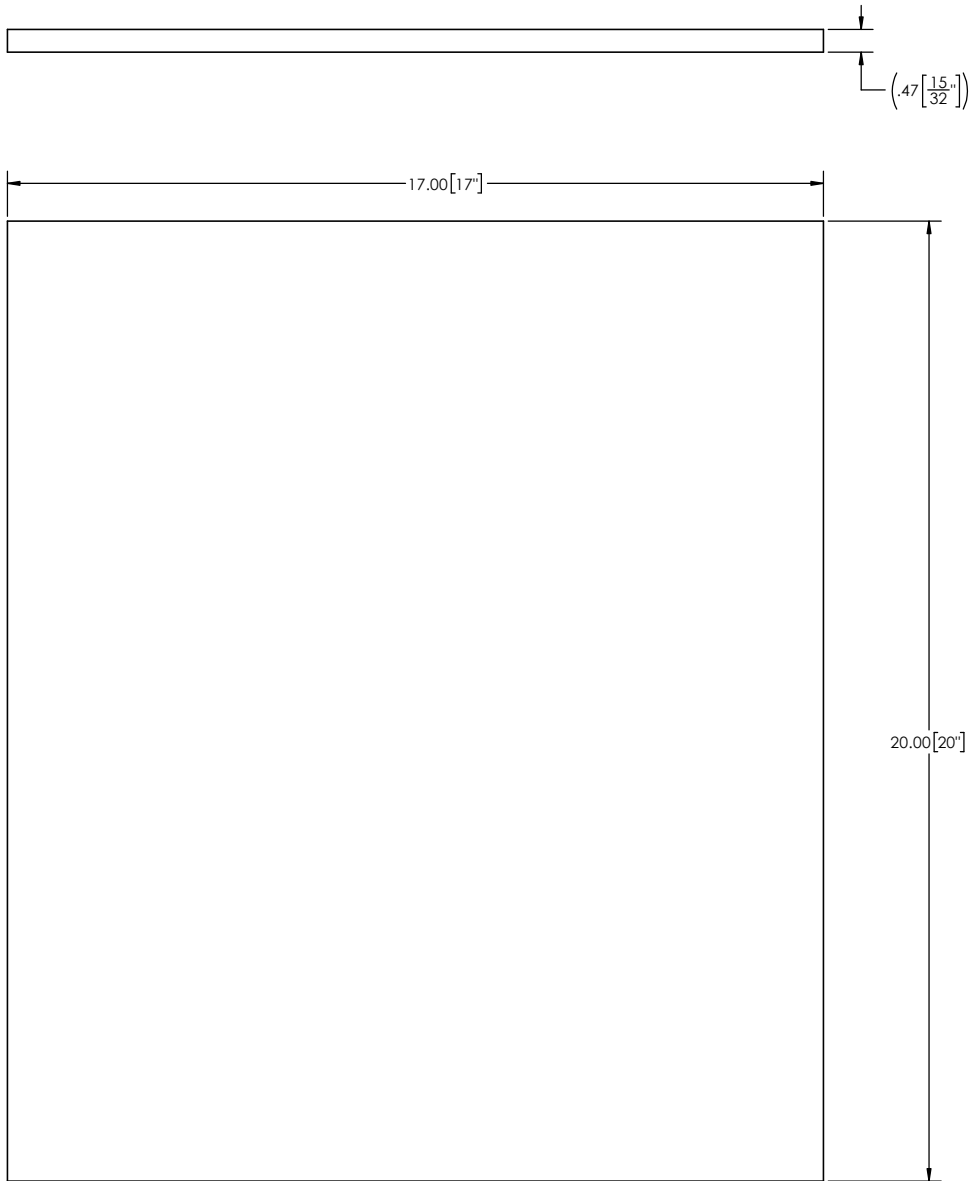
UNLESS OTHERWISE SPECIFIED:  DIMENSIONS ARE IN INCHES TOLERANCES: FRACTIONAL $\pm 1/16$ ANGULAR: MACH $\pm 1^\circ$ BEND $\pm 1^\circ$ TWO PLACE DECIMAL $\pm .13$ THREE PLACE DECIMAL $\pm .125$  <b>MATERIAL/FINISH:</b> 2" x 4" Lumber  DO NOT SCALE DRAWING	TEAM	NAME	DATE	 
	DRAWN	JO	11/7/2022	
<b>PROPRIETARY AND CONFIDENTIAL</b> THE INFORMATION CONTAINED IN THIS DRAWING IS THE SOLE PROPERTY OF <b>FIRST</b> . ANY REPRODUCTION IN PART OR AS A WHOLE WITHOUT THE WRITTEN PERMISSION OF <b>FIRST</b> IS PROHIBITED.				TITLE: <h3>Cube Shelf Top Horizontal</h3>
<b>COMMENTS:</b> REMOVE ALL BURRS AND SHARP EDGES.			SIZE <b>C</b>	
		DWG. NO.	REV	
		TE-23023		
SCALE: 3:4			SHEET 1 OF 1	

4

3

2

1



UNLESS OTHERWISE SPECIFIED:	TEAM	NAME	DATE
	DRAWN	JO	11/7/2022
DIMENSIONS ARE IN INCHES TOLERANCES: FRACTIONAL $\pm 1/16$ ANGULAR: MACH $\pm 1^\circ$ BEND $\pm 1^\circ$ TWO PLACE DECIMAL $\pm .13$ THREE PLACE DECIMAL $\pm .125$	<b>PROPRIETARY AND CONFIDENTIAL</b>		
	THE INFORMATION CONTAINED IN THIS DRAWING IS THE SOLE PROPERTY OF FIRST®. ANY REPRODUCTION IN PART OR AS A WHOLE WITHOUT THE WRITTEN PERMISSION OF FIRST® IS PROHIBITED.		
	<b>COMMENTS:</b> REMOVE ALL BURRS AND SHARP EDGES.		
<b>MATERIAL/FINISH:</b>	1/2" Plywood		
DO NOT SCALE DRAWING			
TITLE: Cube Shelf Lower Side Panel			
SIZE	DWG. NO.	REV	
<b>C</b>	TE-23024		
SCALE: 1:2		SHEET 1 OF 1	

4

3

2

1

D

D

C

C

B

B

A

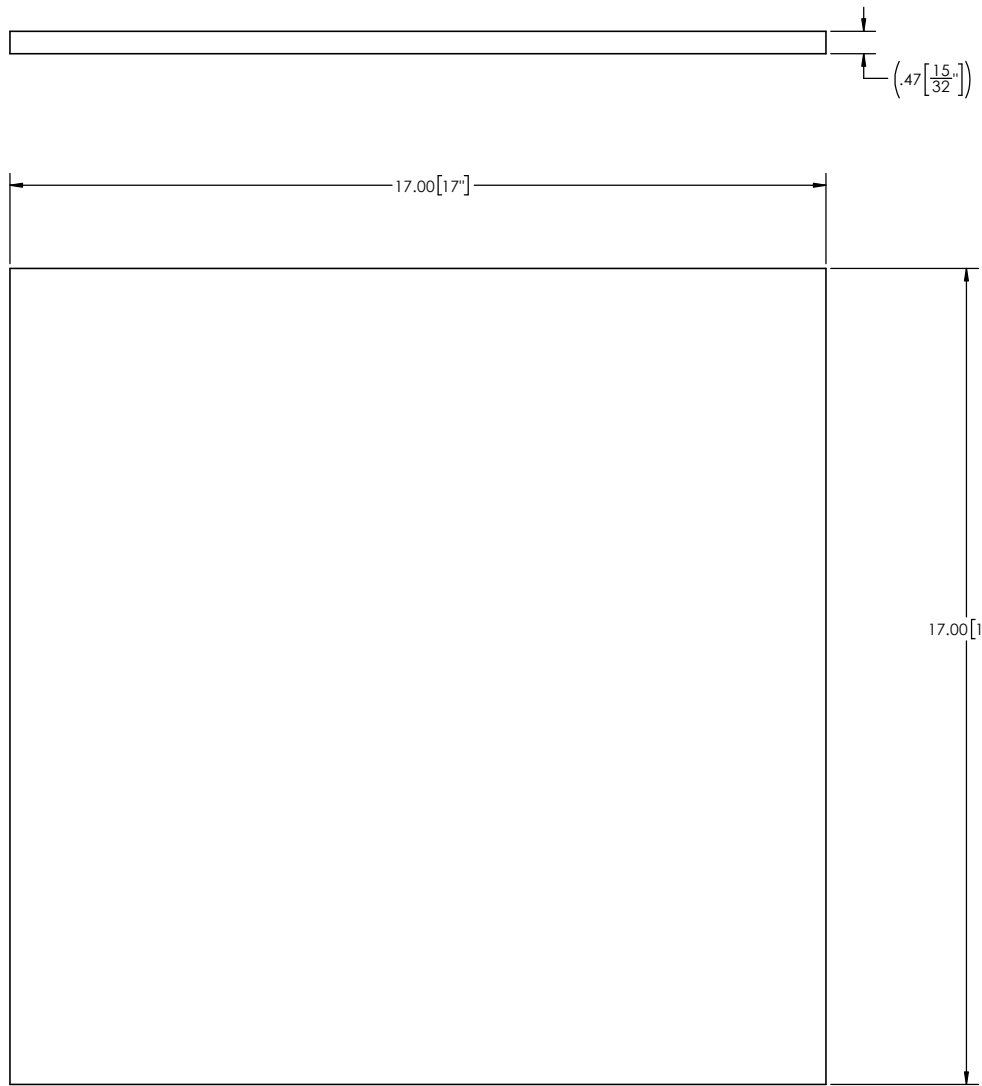
A

4

3

2

1



UNLESS OTHERWISE SPECIFIED:	TEAM	NAME	DATE
	DRAWN	JO	11/7/2022
DIMENSIONS ARE IN INCHES TOLERANCES: FRACTIONAL ±1/16 ANGULAR: MACH ±1° BEND ±1° TWO PLACE DECIMAL ±.13 THREE PLACE DECIMAL ±.125	<b>PROPRIETARY AND CONFIDENTIAL</b>		
	THE INFORMATION CONTAINED IN THIS DRAWING IS THE SOLE PROPERTY OF FIRST®. ANY REPRODUCTION IN PART OR AS A WHOLE WITHOUT THE WRITTEN PERMISSION OF FIRST® IS PROHIBITED.		
	<b>COMMENTS:</b> REMOVE ALL BURRS AND SHARP EDGES.		
<b>MATERIAL/FINISH:</b>	1/2" Plywood		
DO NOT SCALE DRAWING			
TITLE: Cube Shelf Upper Side Panel			
SIZE	DWG. NO.	REV	
<b>C</b>	TE-23025		
SCALE: 1:2		SHEET 1 OF 1	

4

3

2

1

D

D

C

C

B

B

A

A

4

3

2

1

D

D

C

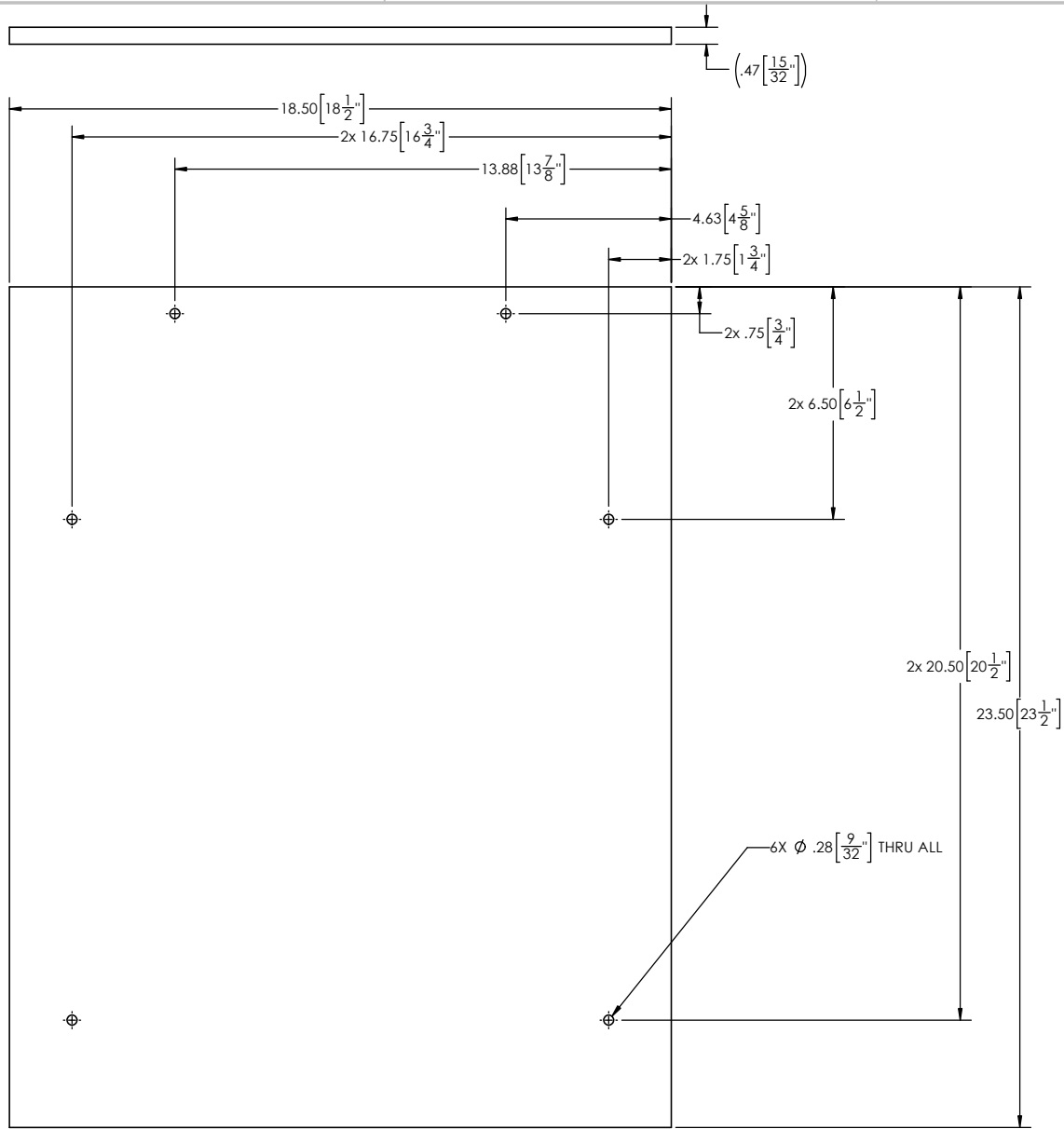
C

B

B

A

A



UNLESS OTHERWISE SPECIFIED:	TEAM	NAME	DATE
	DRAWN	JO	11/7/2022
DIMENSIONS ARE IN INCHES TOLERANCES: FRACTIONAL $\pm 1/16$ ANGULAR: MACH $\pm 1^\circ$ BEND $\pm 1^\circ$ TWO PLACE DECIMAL $\pm .13$ THREE PLACE DECIMAL $\pm .125$	<b>PROPRIETARY AND CONFIDENTIAL</b>		
	THE INFORMATION CONTAINED IN THIS DRAWING IS THE SOLE PROPERTY OF FIRST®. ANY REPRODUCTION IN PART OR AS A WHOLE WITHOUT THE WRITTEN PERMISSION OF FIRST® IS PROHIBITED.		
	<b>COMMENTS:</b> REMOVE ALL BURRS AND SHARP EDGES.		
<b>MATERIAL/FINISH:</b>	TITLE: <h1>Cube Shelf Front Panel</h1>		
1/2" Plywood	SIZE	DWG. NO.	REV
	<b>C</b>	TE-23026	
DO NOT SCALE DRAWING	SCALE: 2:5		SHEET 1 OF 1

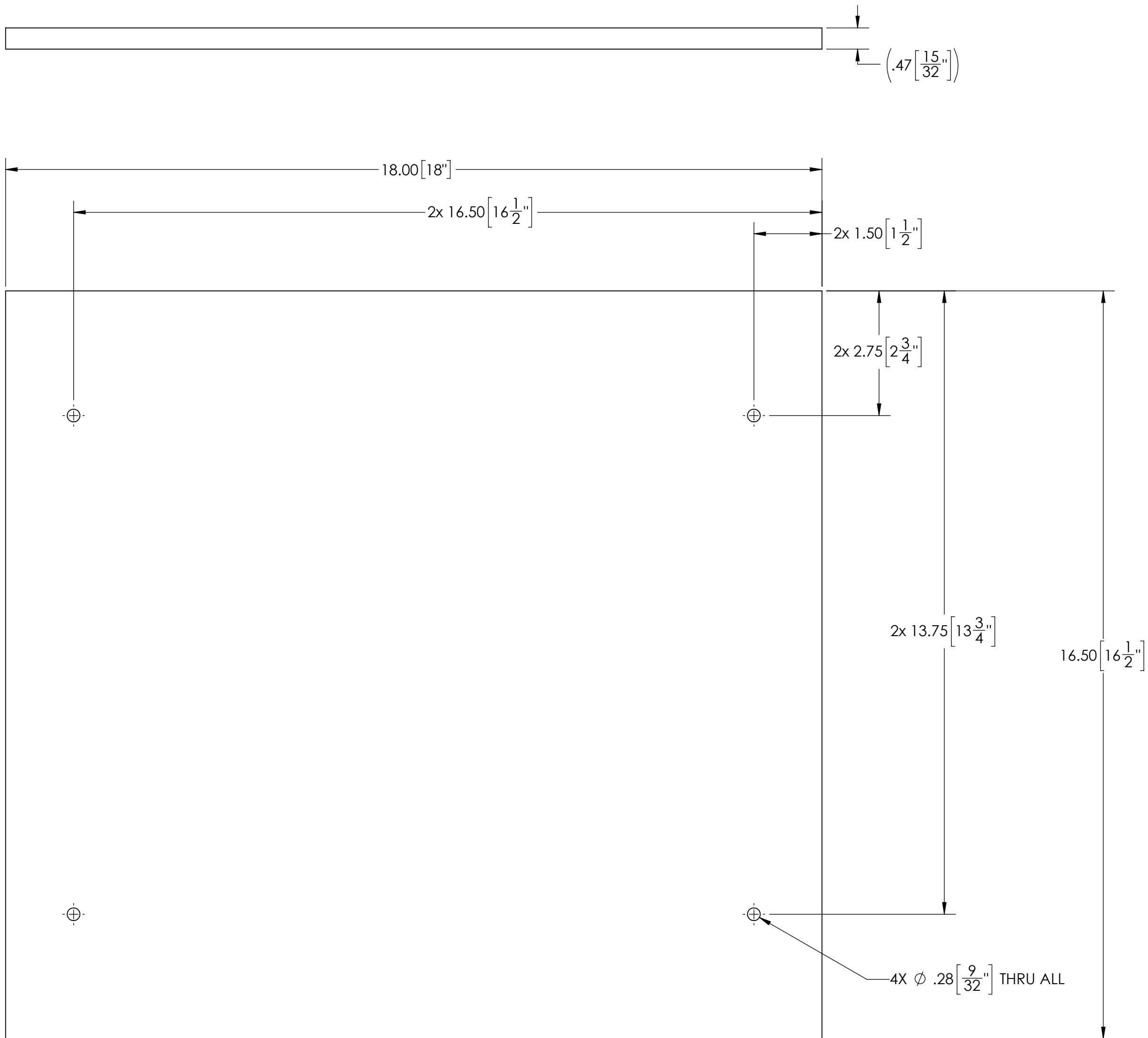


4

3

2

1



UNLESS OTHERWISE SPECIFIED:

DIMENSIONS ARE IN INCHES  
 TOLERANCES:  
 FRACTIONAL ± 1/16  
 ANGULAR: MACH ± 1° BEND ± 1°  
 TWO PLACE DECIMAL ± .13  
 THREE PLACE DECIMAL ± .125

**MATERIAL/FINISH:**  
 1/2" Plywood

DO NOT SCALE DRAWING

TEAM	NAME	DATE
DRAWN	JO	11/7/2022

**PROPRIETARY AND CONFIDENTIAL**  
 THE INFORMATION CONTAINED IN THIS DRAWING IS THE SOLE PROPERTY OF **FIRST®**. ANY REPRODUCTION IN PART OR AS A WHOLE WITHOUT THE WRITTEN PERMISSION OF **FIRST®** IS PROHIBITED.

**COMMENTS:**  
 REMOVE ALL BURRS AND SHARP EDGES.



TITLE:  
**Cube Shelf Scoring Panel**

SIZE	DWG. NO.	REV
<b>C</b>	TE-23027	

SCALE: 1:2 SHEET 1 OF 1

4

3

2

1

D

D

C

C

B

B

A

A



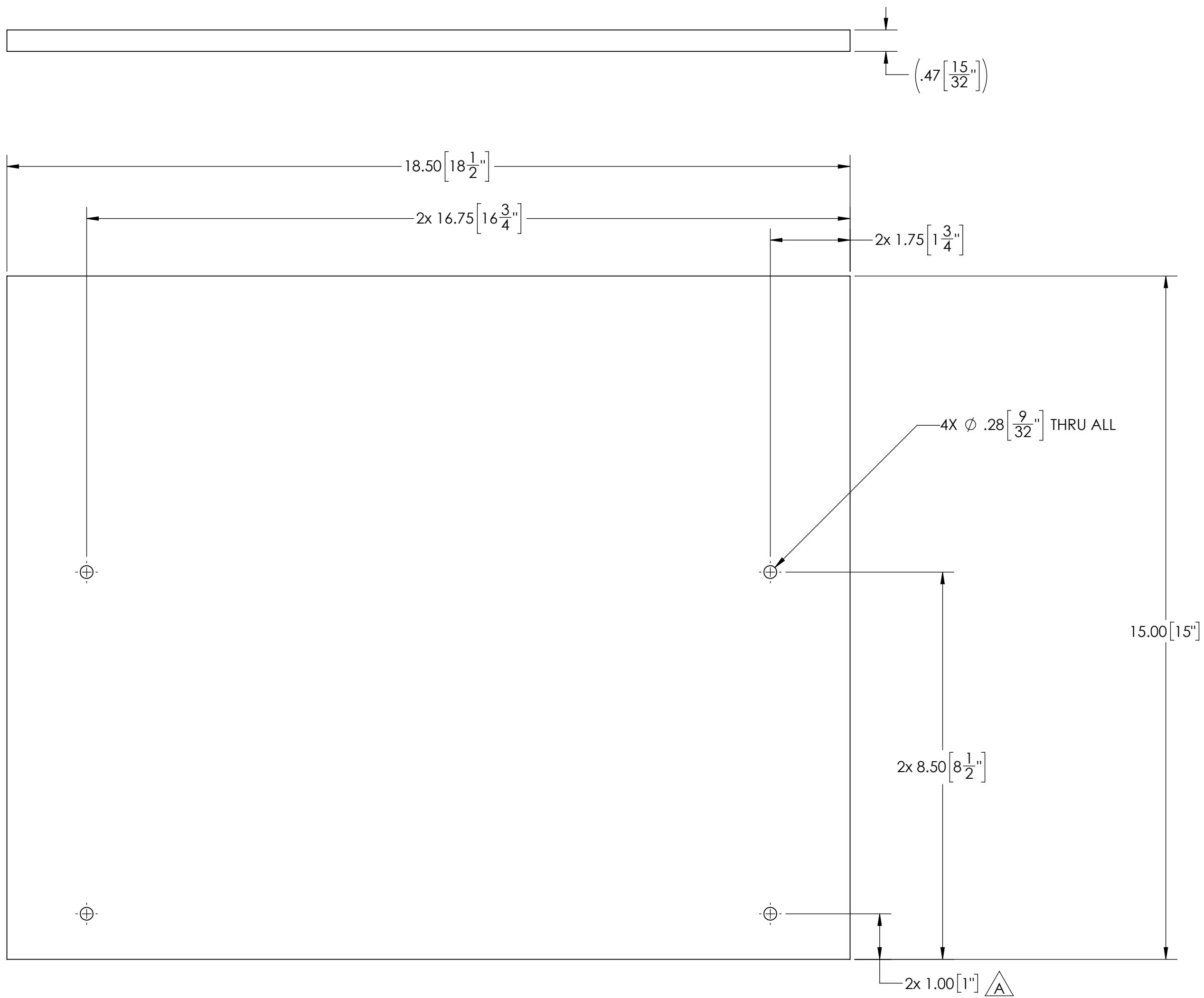
4

3

2

1

REVISIONS				
ZONE	REV.	DESCRIPTION	DATE	APPROVED
A2	A	Hole Location Change	1/4/2023	JO



UNLESS OTHERWISE SPECIFIED:  DIMENSIONS ARE IN INCHES TOLERANCES: FRACTIONAL $\pm$ 1/16 ANGULAR: MACH $\pm$ 1° BEND $\pm$ 1° TWO PLACE DECIMAL $\pm$ .13 THREE PLACE DECIMAL $\pm$ .125  <b>MATERIAL/FINISH:</b> 1/2" Plywood  DO NOT SCALE DRAWING	TEAM	NAME	DATE
	DRAWN	JO	11/7/2022
	<b>PROPRIETARY AND CONFIDENTIAL</b>		
	THE INFORMATION CONTAINED IN THIS DRAWING IS THE SOLE PROPERTY OF <b>FIRST®</b> . ANY REPRODUCTION IN PART OR AS A WHOLE WITHOUT THE WRITTEN PERMISSION OF <b>FIRST®</b> IS PROHIBITED.		
<b>COMMENTS:</b>			
REMOVE ALL BURRS AND SHARP EDGES.			



TITLE:		
Cube Shelf Upper Panel		
SIZE	DWG. NO.	REV
<b>C</b>	TE-23028	<b>A</b>
SCALE: 1:2		SHEET 1 OF 1

4

3

2

1

D

D

C

C

B

B

A

A