



ITEM NO.	PART NUMBER	DESCRIPTION	QTY.
1	TE-23005	Cube Shelf Divider Beam	1
2	TE-23006	Spacer Plywood	2
3	TE-23007	Shark Fin	1
4	TE-23008	Cone Ramp Horizontal	2
5	TE-23009	Wide Cone Ramp Crossbeams	4
6	TE-23011	Cone Ramp Vertical	2
7	TE-23012	Cone Ramp Gusset	2
8	TE-23013	Cone Ramp Diagonal Beam	2
9	TE-23014	Wide Cone Ramp Diagonal Panel	1
10	TE-23016	Lower Pole	1
11	TE-23017	Upper Pole	1
12	CCF-RT-13-1	Pole Cap	2
13	tape_VISIONTARGET	tape_VISIONTARGET	4
14	hex_.25_20_2.5_partial	Steel Hex Head Screw, 1/4"-20 x 2-1/2" long, partially threaded	6
15	hex_.25_20_3.5_partial	Steel Hex Head Bolt, 1/4"-20 x 3.5", partially threaded	2
16	hex_.25_20_4_partial	Steel Hex Head Bolt, 1/4"-20 x 4", partially threaded	2
17	hex.25_20_5.5	Steel Hex Head Bolt, 1/4"-20 x 5.5", partially threaded	4
18	wing_.25_20	Steel Wing Nut, 1/4"-20, 31/64" Base Diameter	14
19	washer_flat_.25	Flat Washer for 1/4" Screw	28

NOTE: All holes shown are for bolt/wing nut connections that are included to make it easier to store this assembly. If storage of this assembly is not a concern, wood screws could be used instead of bolts and wing nuts, and all drilled holes can be skipped except for the bolts that hold the poles and the holes in TE-23003.

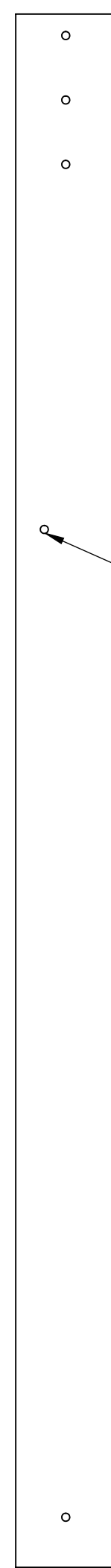
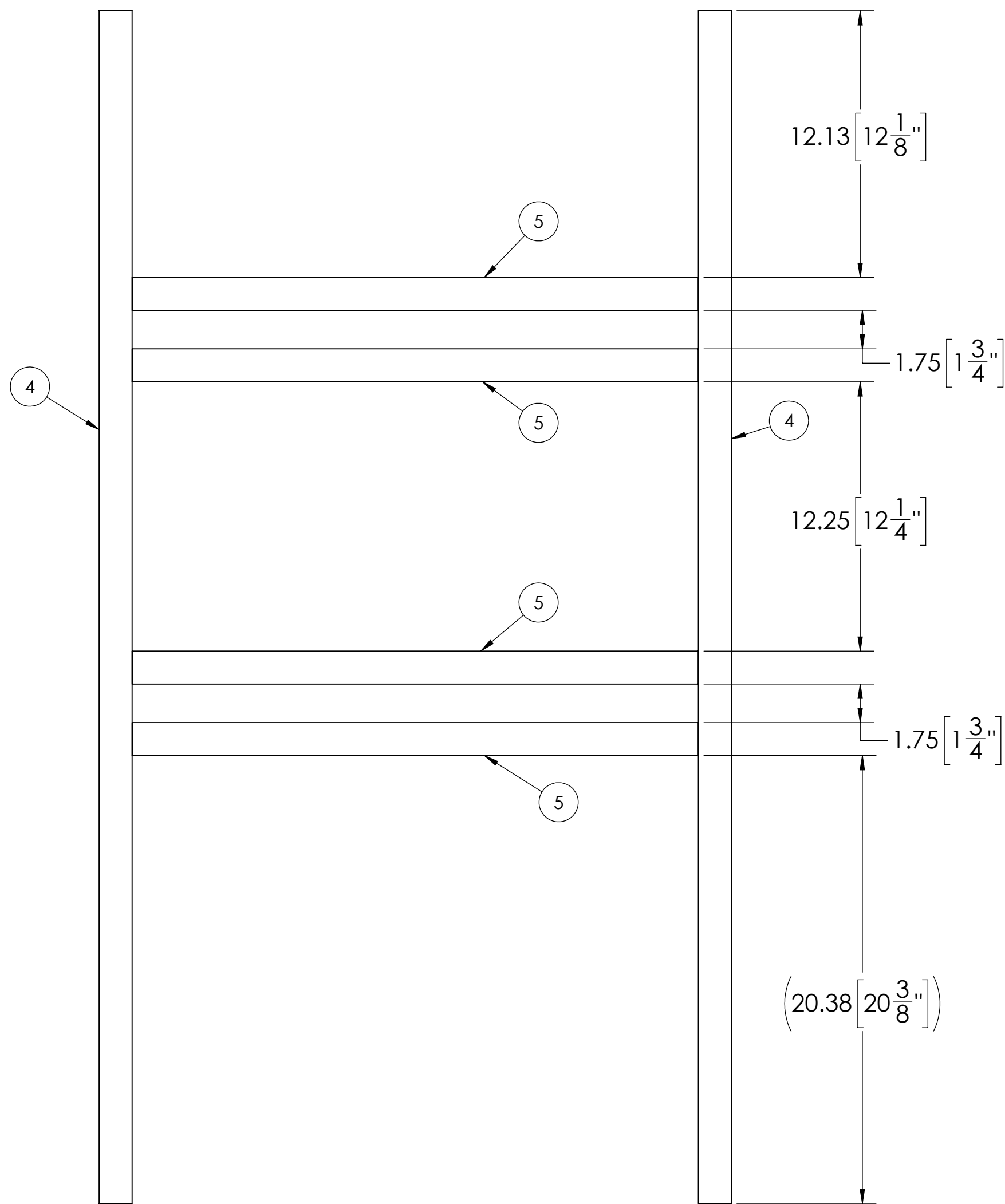
UNLESS OTHERWISE SPECIFIED:		TEAM	NAME	DATE
DIMENSIONS ARE IN INCHES TOLERANCES: FRACTIONAL $\pm 1/16$ ANGULAR: MACH $\pm 1^\circ$ BEND $\pm 1^\circ$ TWO PLACE DECIMAL $\pm .13$ THREE PLACE DECIMAL $\pm .125$		DRAWN	JO	12/16/2022
MATERIAL/FINISH:		PROPRIETARY AND CONFIDENTIAL		
DO NOT SCALE DRAWING		THE INFORMATION CONTAINED IN THIS DRAWING IS THE SOLE PROPERTY OF FIRST . ANY REPRODUCTION IN PART OR AS A WHOLE WITHOUT THE WRITTEN PERMISSION OF FIRST IS PROHIBITED.		
		COMMENTS: REMOVE ALL BURRS AND SHARP EDGES.		
		 		
		TITLE: End Cone Ramp (Right)		
		SIZE	DWG. NO.	REV
		C	TE-23002	
		SCALE: 1:5		SHEET 1 OF 10

4

3


2

1



Please note orientation of all holes in (4) while assembling. The holes in the two side beams should match up.

Step 1: Assemble floor frame of Cone Ramp with #8 wood screws as shown.

UNLESS OTHERWISE SPECIFIED: DIMENSIONS ARE IN INCHES TOLERANCES: FRACTIONAL ±1/16 ANGULAR: MACH ±1° BEND ±1° TWO PLACE DECIMAL ±.13 THREE PLACE DECIMAL ±.125	TEAM	NAME	DATE	
	DRAWN	JO	12/16/2022	
MATERIAL/FINISH:	PROPRIETARY AND CONFIDENTIAL THE INFORMATION CONTAINED IN THIS DRAWING IS THE SOLE PROPERTY OF FIRST® . ANY REPRODUCTION IN PART OR AS A WHOLE WITHOUT THE WRITTEN PERMISSION OF FIRST® IS PROHIBITED.			TITLE:
	COMMENTS: REMOVE ALL BURRS AND SHARP EDGES.			End Cone Ramp (Right)
DO NOT SCALE DRAWING	SCALE: 1:5		SHEET 2 OF 10	SIZE DWG. NO. REV C TE-23002

4

3

2

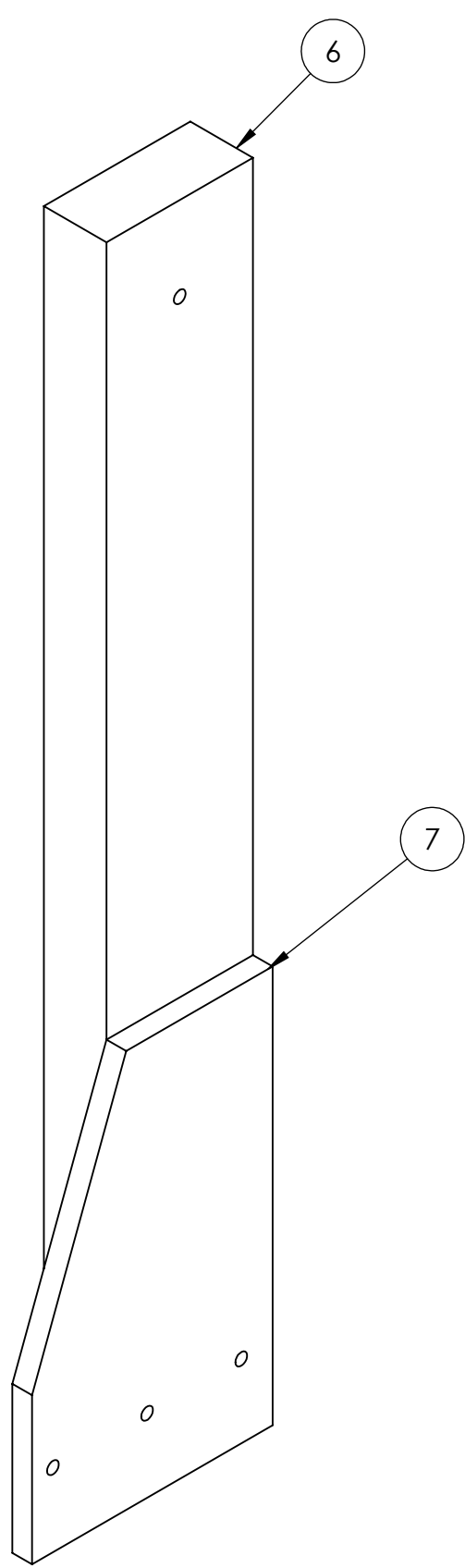
1

4

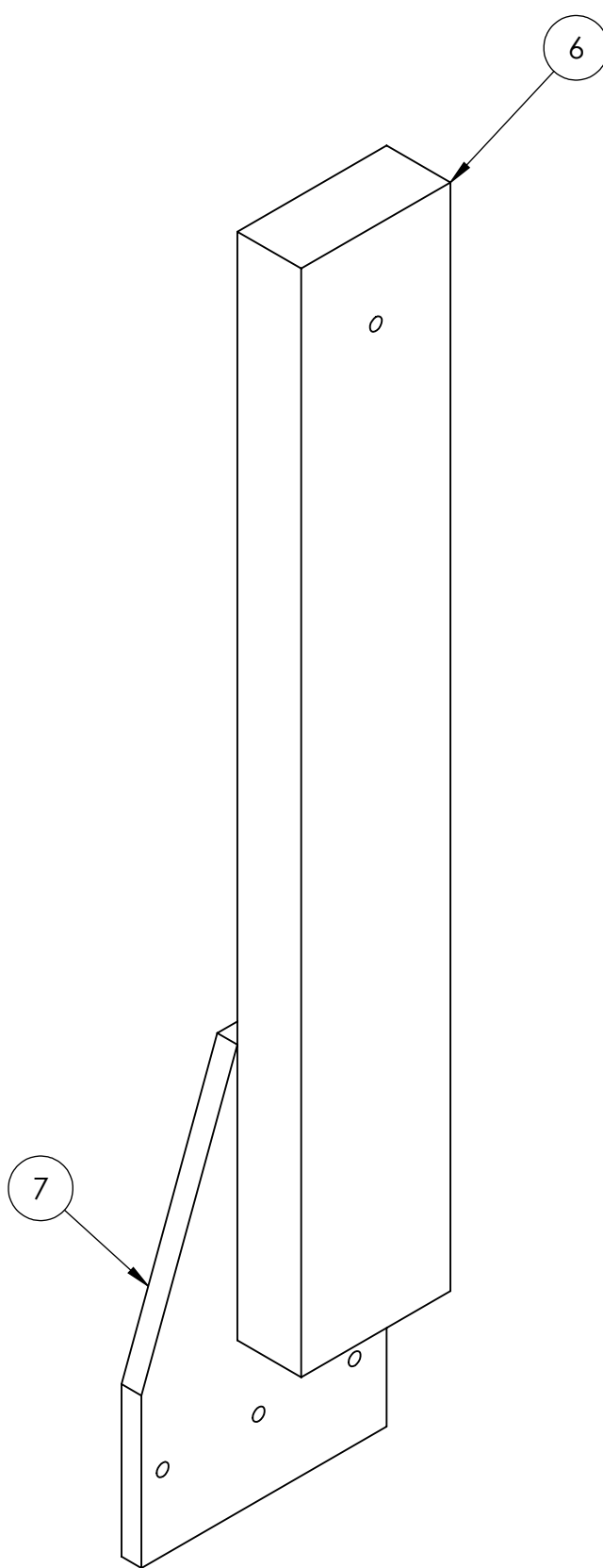
3

2

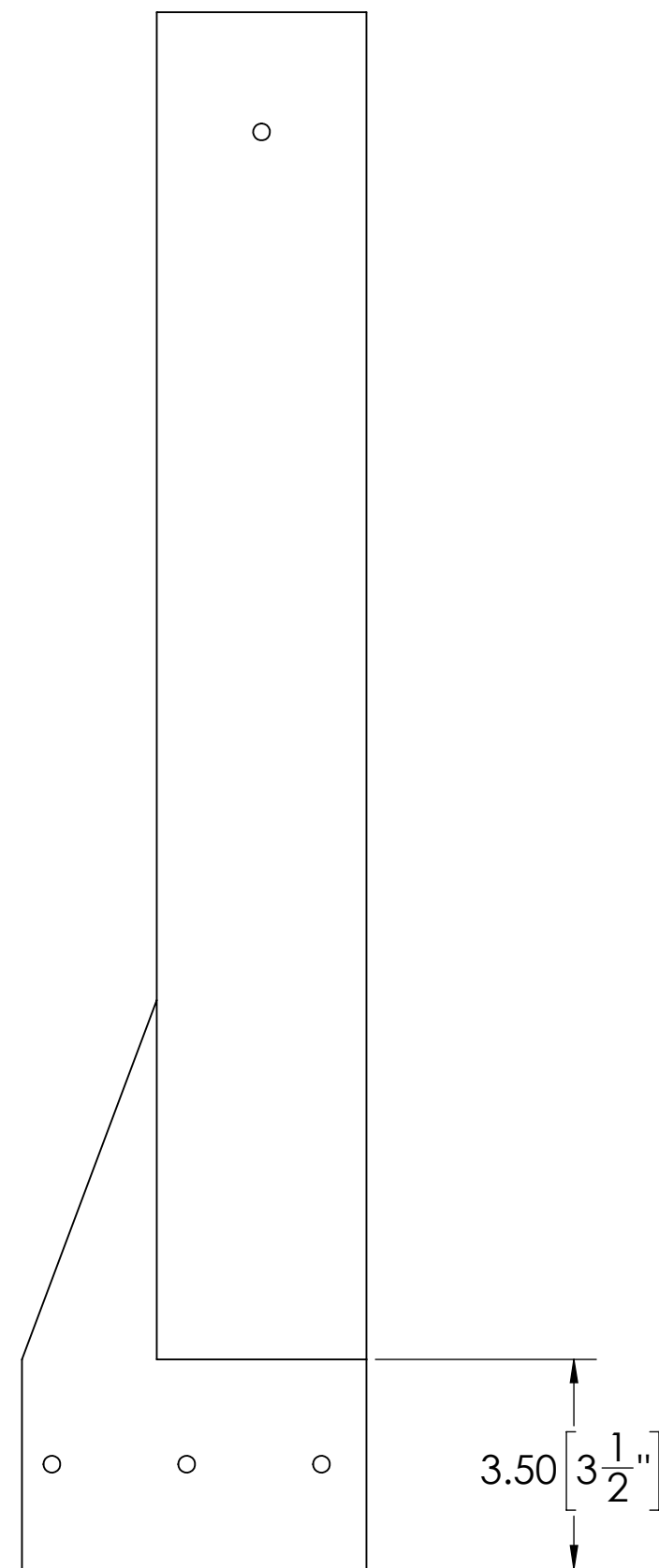
1





Left hand



Right hand



Step 2: Assemble 2x Cone Ramp Vertical assemblies using #8 wood screws as shown. Make a "left hand" and "right hand" version as shown.

UNLESS OTHERWISE SPECIFIED: DIMENSIONS ARE IN INCHES TOLERANCES: FRACTIONAL ±1/16 ANGULAR: MACH ±1° BEND ±1° TWO PLACE DECIMAL ±.13 THREE PLACE DECIMAL ±.125	TEAM	NAME	DATE	 
	DRAWN	JO	12/16/2022	
MATERIAL/FINISH:	PROPRIETARY AND CONFIDENTIAL			TITLE:
	THE INFORMATION CONTAINED IN THIS DRAWING IS THE SOLE PROPERTY OF FIRST® . ANY REPRODUCTION IN PART OR AS A WHOLE WITHOUT THE WRITTEN PERMISSION OF FIRST® IS PROHIBITED.			<h1>End Cone Ramp (Right)</h1>
COMMENTS:	REMOVE ALL BURRS AND SHARP EDGES.			SIZE DWG. NO. REV C TE-23002
DO NOT SCALE DRAWING				SCALE: 1:3 SHEET 3 OF 10

4

3

2

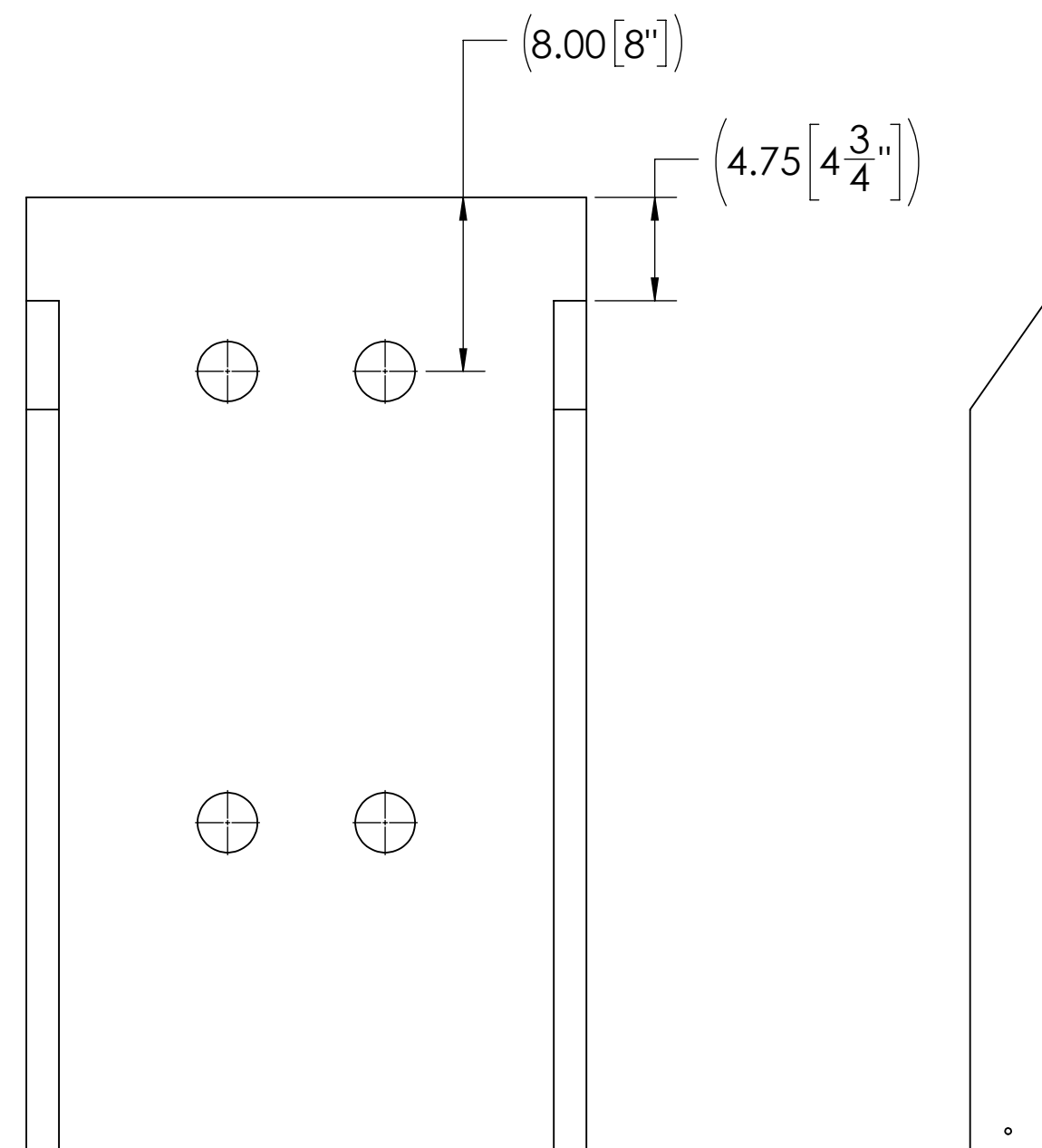
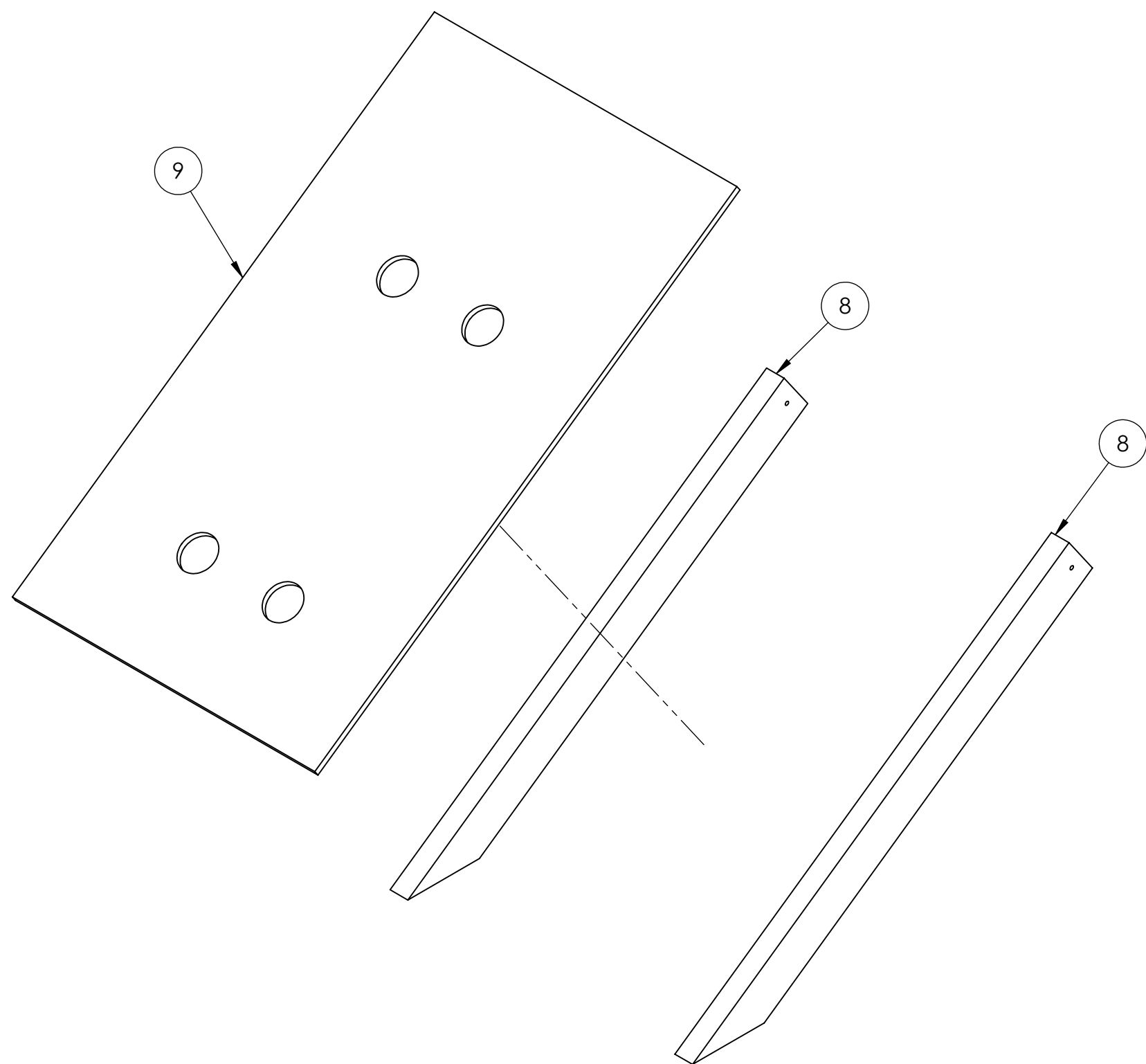
1

4

3

2

1



Step 3: Assemble Cone Ramp Diagonal Assembly with #8 wood screws as shown.
 Note orientation of holes while assembling.

UNLESS OTHERWISE SPECIFIED:	TEAM	NAME	DATE
	DRAWN	JO	12/16/2022
DIMENSIONS ARE IN INCHES TOLERANCES: FRACTIONAL ±1/16 ANGULAR: MACH ±1° BEND ±1° TWO PLACE DECIMAL ±.13 THREE PLACE DECIMAL ±.125	PROPRIETARY AND CONFIDENTIAL		
	THE INFORMATION CONTAINED IN THIS DRAWING IS THE SOLE PROPERTY OF FIRST® . ANY REPRODUCTION IN PART OR AS A WHOLE WITHOUT THE WRITTEN PERMISSION OF FIRST® IS PROHIBITED.		
MATERIAL/FINISH:	COMMENTS: REMOVE ALL BURRS AND SHARP EDGES.		
DO NOT SCALE DRAWING	TITLE: End Cone Ramp (Right)		
	SIZE	DWG. NO.	REV
	C	TE-23002	
	SCALE: 1:8		SHEET 4 OF 10

4

3

2

1

D

D

C

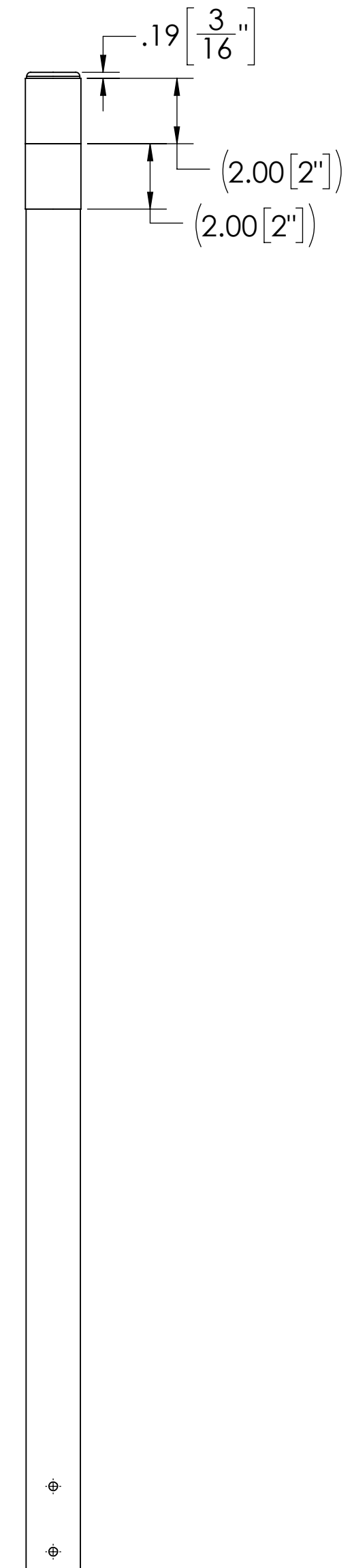
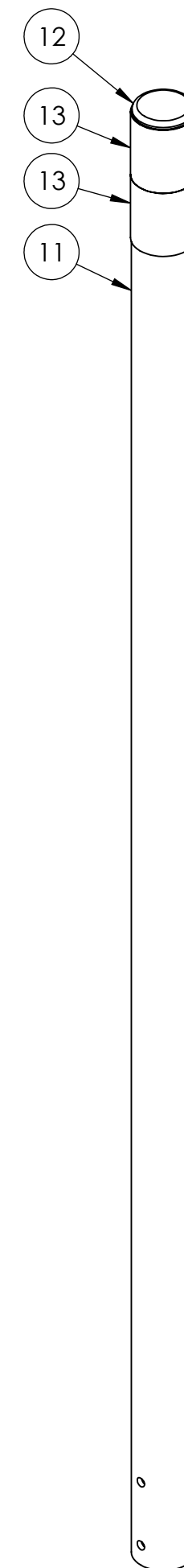
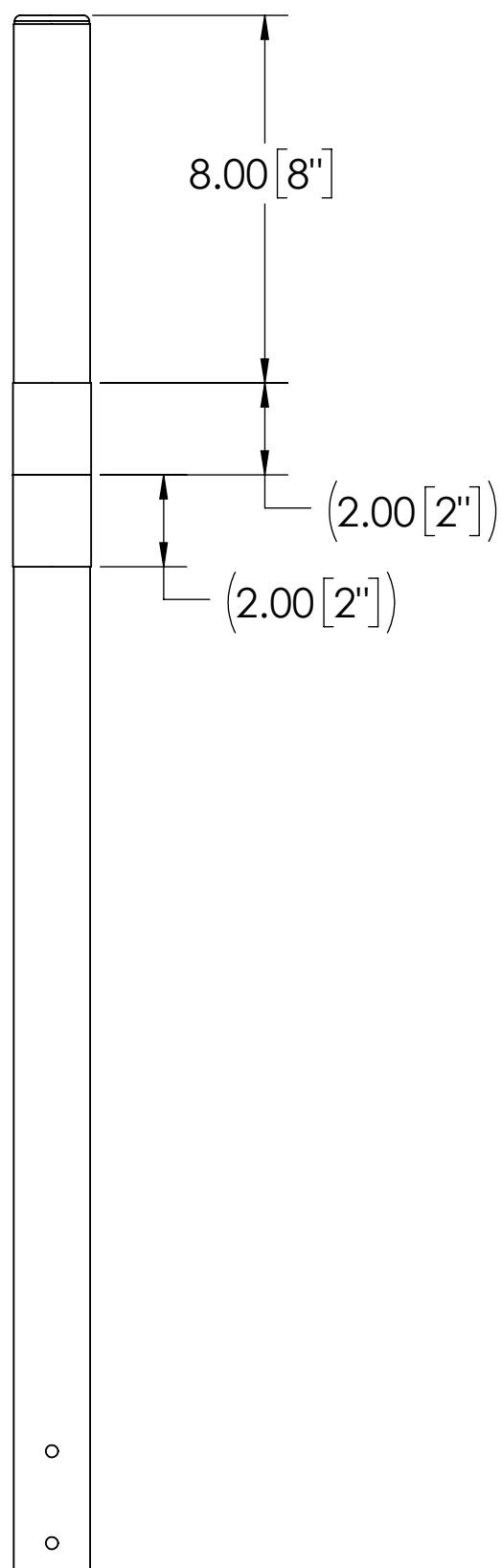
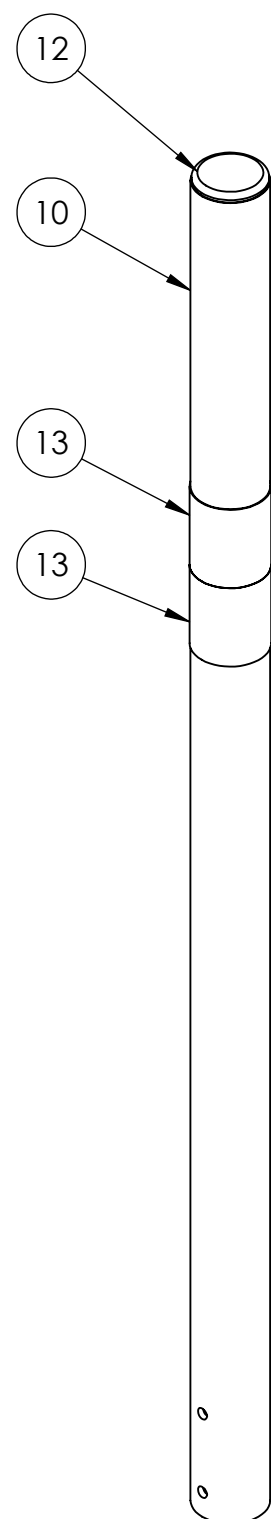
C

B

B

A



A



Step 4: If making the poles yourself, install the (12) caps to the end of the pipe with no holes with an arbor press or mallet. There is a CAD file of a similar but not exact version of the cap in the shared CAD files for this assembly that can be 3D Printed.

Apply 2 pieces of (13) vision tape per pole as shown.

These poles with caps installed can be purchased from AndyMark. These do not include the drilled holes or applied vision tape.

UNLESS OTHERWISE SPECIFIED: DIMENSIONS ARE IN INCHES TOLERANCES: FRACTIONAL ±1/16 ANGULAR: MACH ±1° BEND ±1° TWO PLACE DECIMAL ±.13 THREE PLACE DECIMAL ±.125 MATERIAL/FINISH: DO NOT SCALE DRAWING	TEAM	NAME	DATE	 
	DRAWN	JO	12/16/2022	
PROPRIETARY AND CONFIDENTIAL		TITLE: <h2 style="text-align: center;">End Cone Ramp (Right)</h2>		
THE INFORMATION CONTAINED IN THIS DRAWING IS THE SOLE PROPERTY OF FIRST® . ANY REPRODUCTION IN PART OR AS A WHOLE WITHOUT THE WRITTEN PERMISSION OF FIRST® IS PROHIBITED.		SIZE	DWG. NO.	REV
COMMENTS: REMOVE ALL BURRS AND SHARP EDGES.		C	TE-23002	
		SCALE: 1:4	SHEET 5 OF 10	

4

3

2

1

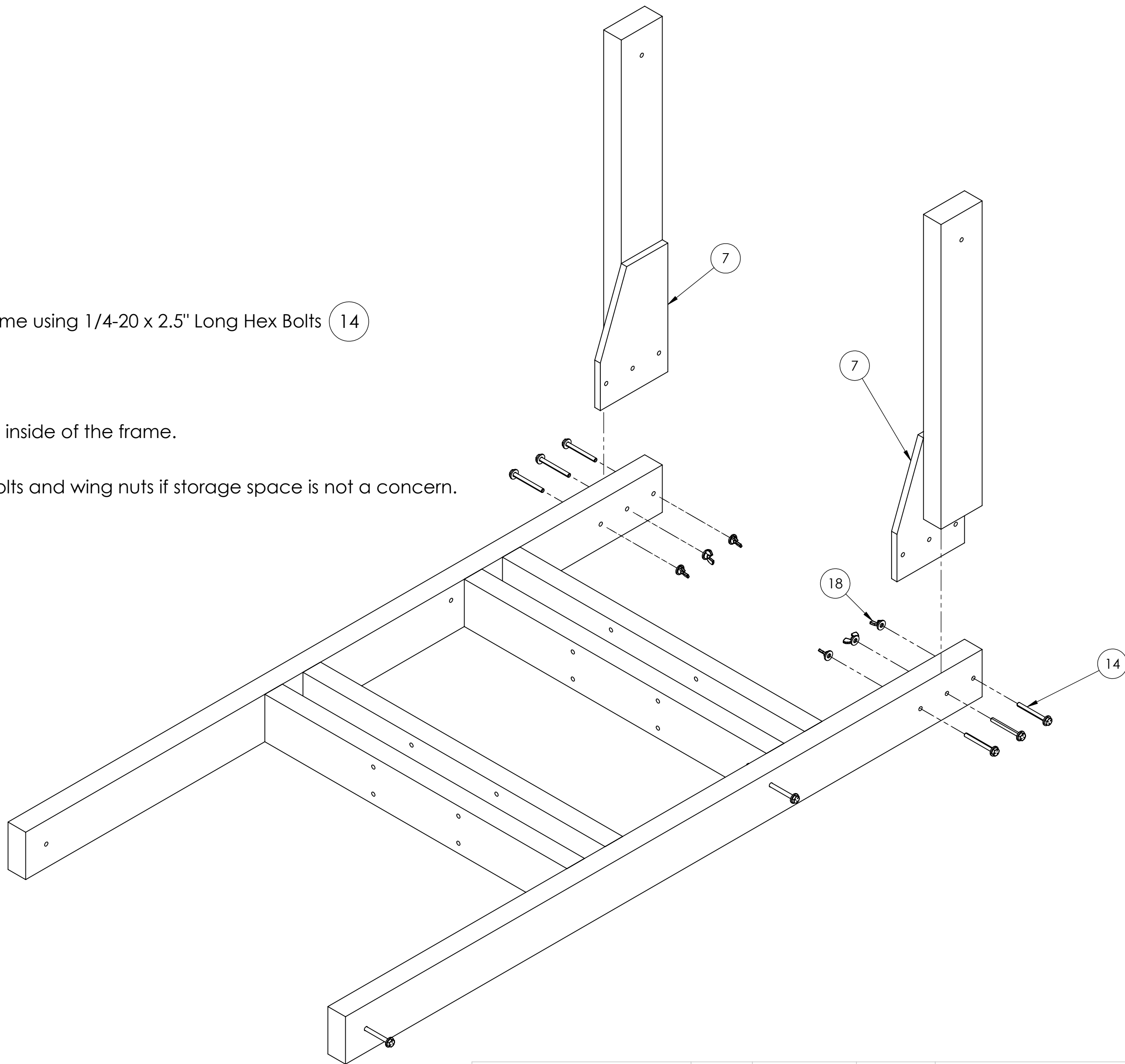
D

D

Step 5: Attach the Vertical Assemblies to the Floor Frame using 1/4-20 x 2.5" Long Hex Bolts (14) and 1/4-20 Wing Nuts (18). Washers are optional.

Note the orientation of the (7) panels being on the inside of the frame.

This step can be done with wood screws instead of bolts and wing nuts if storage space is not a concern.



C



C

B

B

A

A

UNLESS OTHERWISE SPECIFIED: DIMENSIONS ARE IN INCHES TOLERANCES: FRACTIONAL ±1/16 ANGULAR: MACH ±1° BEND ±1° TWO PLACE DECIMAL ±.13 THREE PLACE DECIMAL ±.125 MATERIAL/FINISH: DO NOT SCALE DRAWING	TEAM	NAME	DATE	 
	DRAWN	JO	12/16/2022	
	PROPRIETARY AND CONFIDENTIAL			TITLE:
	THE INFORMATION CONTAINED IN THIS DRAWING IS THE SOLE PROPERTY OF FIRST® . ANY REPRODUCTION IN PART OR AS A WHOLE WITHOUT THE WRITTEN PERMISSION OF FIRST® IS PROHIBITED.			End Cone Ramp (Right)
	COMMENTS: REMOVE ALL BURRS AND SHARP EDGES.			SIZE DWG. NO. REV C TE-23002
	SCALE: 1:5		SHEET 6 OF 10	

4

3

2

1

4

3

2

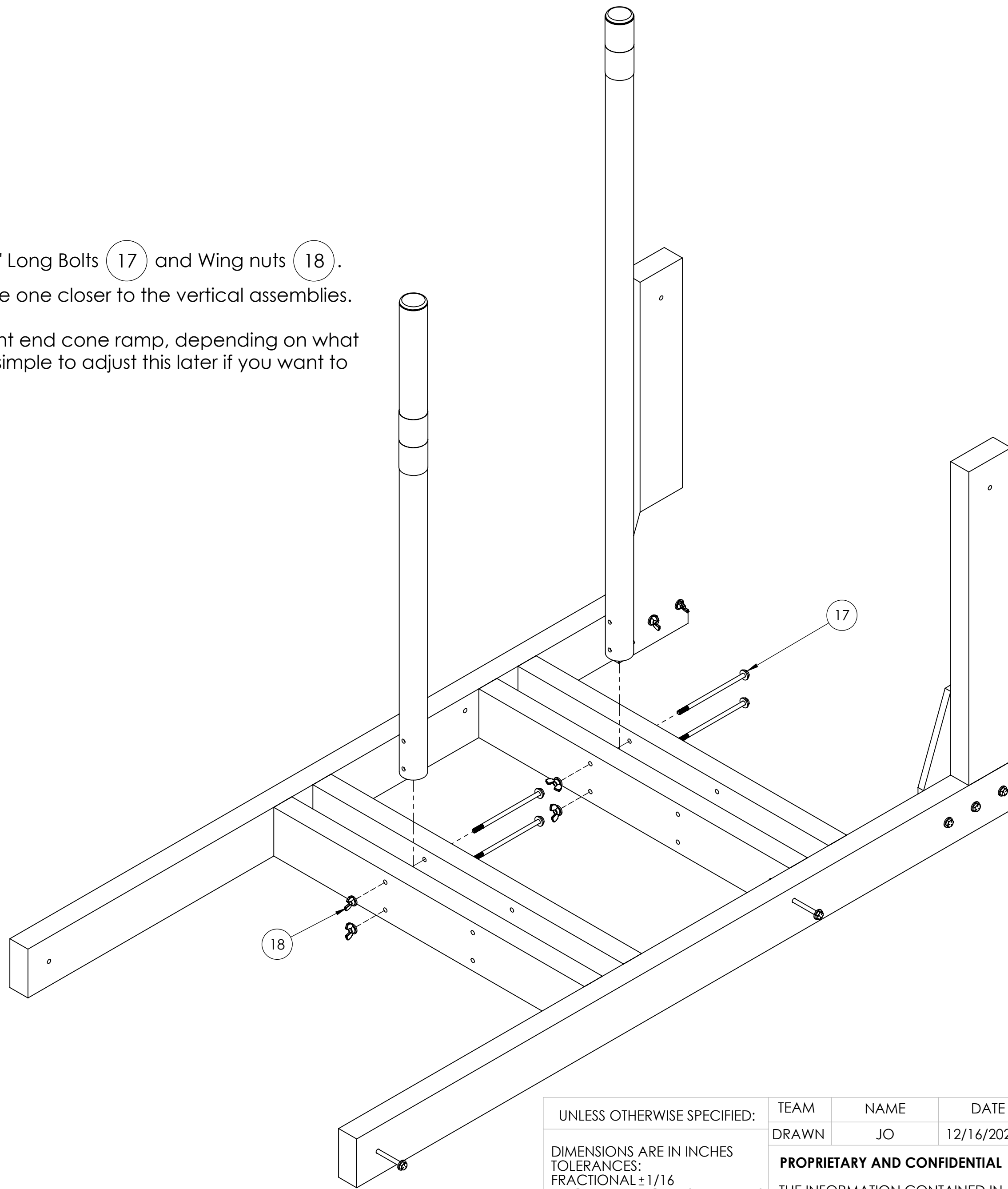
1

D

D

Step 6: Install Poles into assembly using 1/4-20 x 5" Long Bolts (17) and Wing nuts (18). Washers are optional. Note that the tall pole is the one closer to the vertical assemblies.

This assembly is designed to be either a left or right end cone ramp, depending on what side both poles are bolted to. It will be relatively simple to adjust this later if you want to change which end you have built.



C

C

B

B

A

A

4

3

2

1

UNLESS OTHERWISE SPECIFIED:

DIMENSIONS ARE IN INCHES
 TOLERANCES:
 FRACTIONAL $\pm 1/16$
 ANGULAR: MACH $\pm 1^\circ$ BEND $\pm 1^\circ$
 TWO PLACE DECIMAL $\pm .13$
 THREE PLACE DECIMAL $\pm .125$

MATERIAL/FINISH:

DO NOT SCALE DRAWING

TEAM	NAME	DATE
DRAWN	JO	12/16/2022

PROPRIETARY AND CONFIDENTIAL
 THE INFORMATION CONTAINED IN THIS DRAWING IS THE SOLE PROPERTY OF **FIRST**. ANY REPRODUCTION IN PART OR AS A WHOLE WITHOUT THE WRITTEN PERMISSION OF **FIRST** IS PROHIBITED.

COMMENTS:
 REMOVE ALL BURRS AND SHARP EDGES.



TITLE:
End Cone Ramp (Right)

SIZE	DWG. NO.	REV
C	TE-23002	

SCALE: 1:5 SHEET 7 OF 10

4

3

2

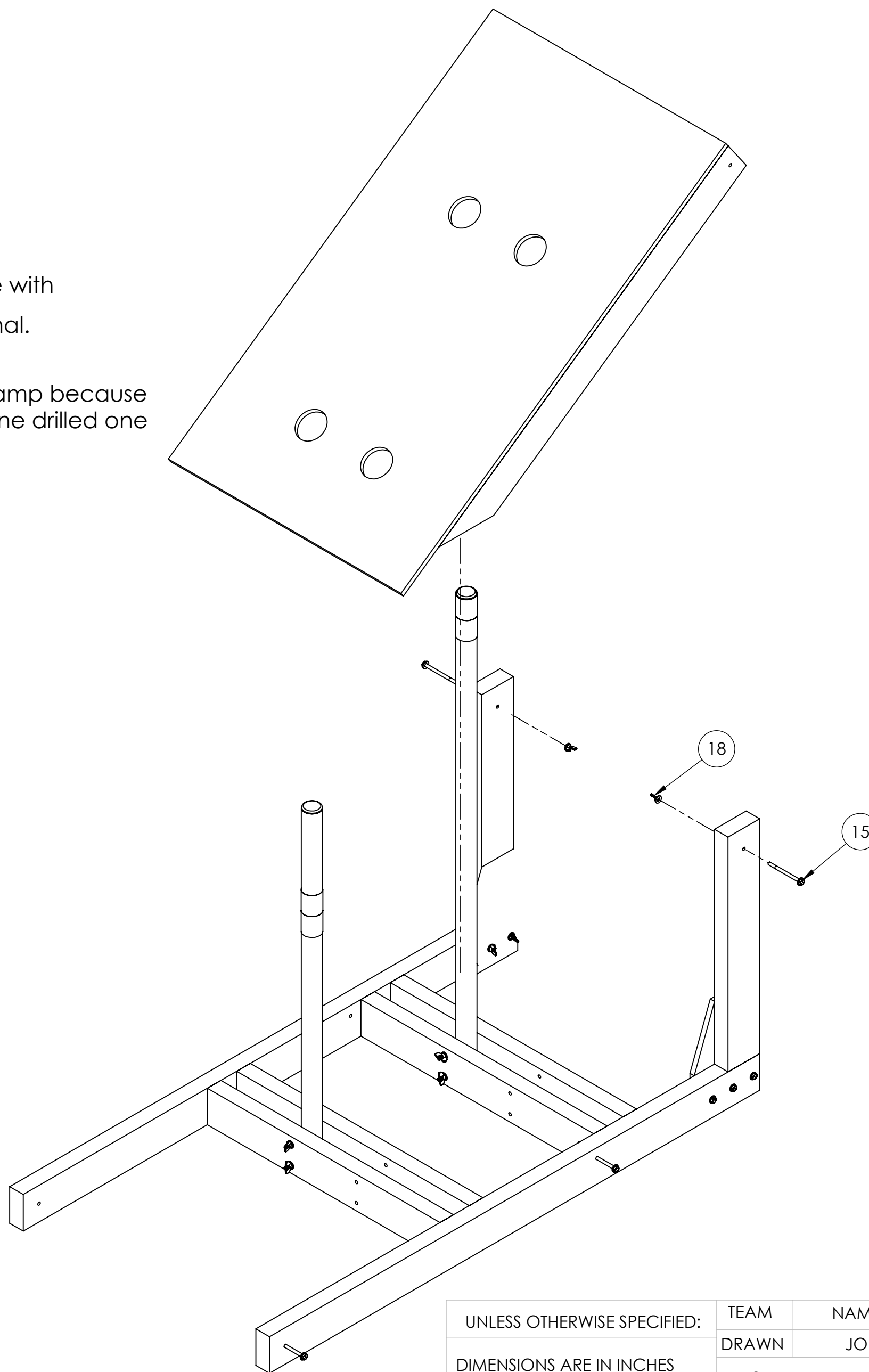
1

D

D

Step 7: Install Diagonal Assembly over the poles, and bolt into place with 1/4-20 x 3.5" Long Bolts (15) and wing nuts (18). Washers are optional.

This assembly is designed so that it can be a left or right end cone ramp because of the two sets of holes in the diagonal assembly. If you have only one drilled one set of holes, it will only work that way.



C



C

B

B

A

A

UNLESS OTHERWISE SPECIFIED: DIMENSIONS ARE IN INCHES TOLERANCES: FRACTIONAL ±1/16 ANGULAR: MACH ±1° BEND ±1° TWO PLACE DECIMAL ±.13 THREE PLACE DECIMAL ±.125	TEAM	NAME	DATE	 
	DRAWN	JO	12/16/2022	
MATERIAL/FINISH:	PROPRIETARY AND CONFIDENTIAL			TITLE:
	THE INFORMATION CONTAINED IN THIS DRAWING IS THE SOLE PROPERTY OF FIRST® . ANY REPRODUCTION IN PART OR AS A WHOLE WITHOUT THE WRITTEN PERMISSION OF FIRST® IS PROHIBITED.			End Cone Ramp (Right)
DO NOT SCALE DRAWING	COMMENTS: REMOVE ALL BURRS AND SHARP EDGES.			SIZE DWG. NO. REV
				C TE-23002
			SCALE: 1:8	SHEET 8 OF 10

4

3

2

1

4

3

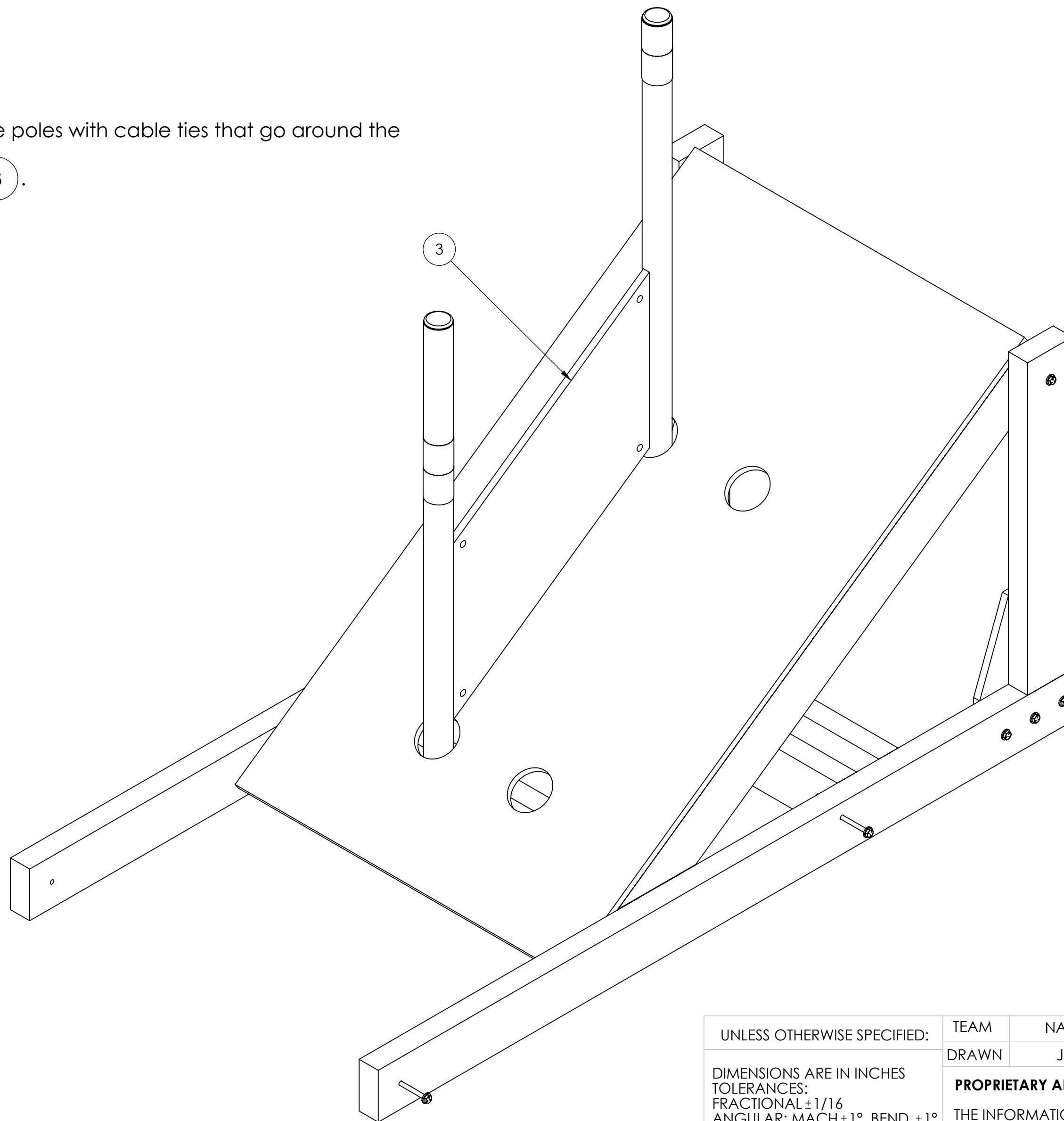
2

1

D

D

Step 8: Attach (3) to each of the poles with cable ties that go around the poles and through the holes in (3).



C

C

B

B

A



A

4

3

2

1

UNLESS OTHERWISE SPECIFIED: DIMENSIONS ARE IN INCHES TOLERANCES: FRACTIONAL $\pm 1/16$ ANGULAR: MACH $\pm 1^\circ$ BEND $\pm 1^\circ$ TWO PLACE DECIMAL $\pm .13$ THREE PLACE DECIMAL $\pm .125$	TEAM	NAME	DATE	 
	DRAWN	JO	12/16/2022	
MATERIAL/FINISH:	PROPRIETARY AND CONFIDENTIAL			TITLE:
	THE INFORMATION CONTAINED IN THIS DRAWING IS THE SOLE PROPERTY OF FIRST . ANY REPRODUCTION IN PART OR AS A WHOLE WITHOUT THE WRITTEN PERMISSION OF FIRST IS PROHIBITED.			End Cone Ramp (Right)
	COMMENTS: REMOVE ALL BURRS AND SHARP EDGES.			SIZE DWG. NO. REV
DO NOT SCALE DRAWING				C TE-23002
				SCALE: 1:5 SHEET 9 OF 10

4

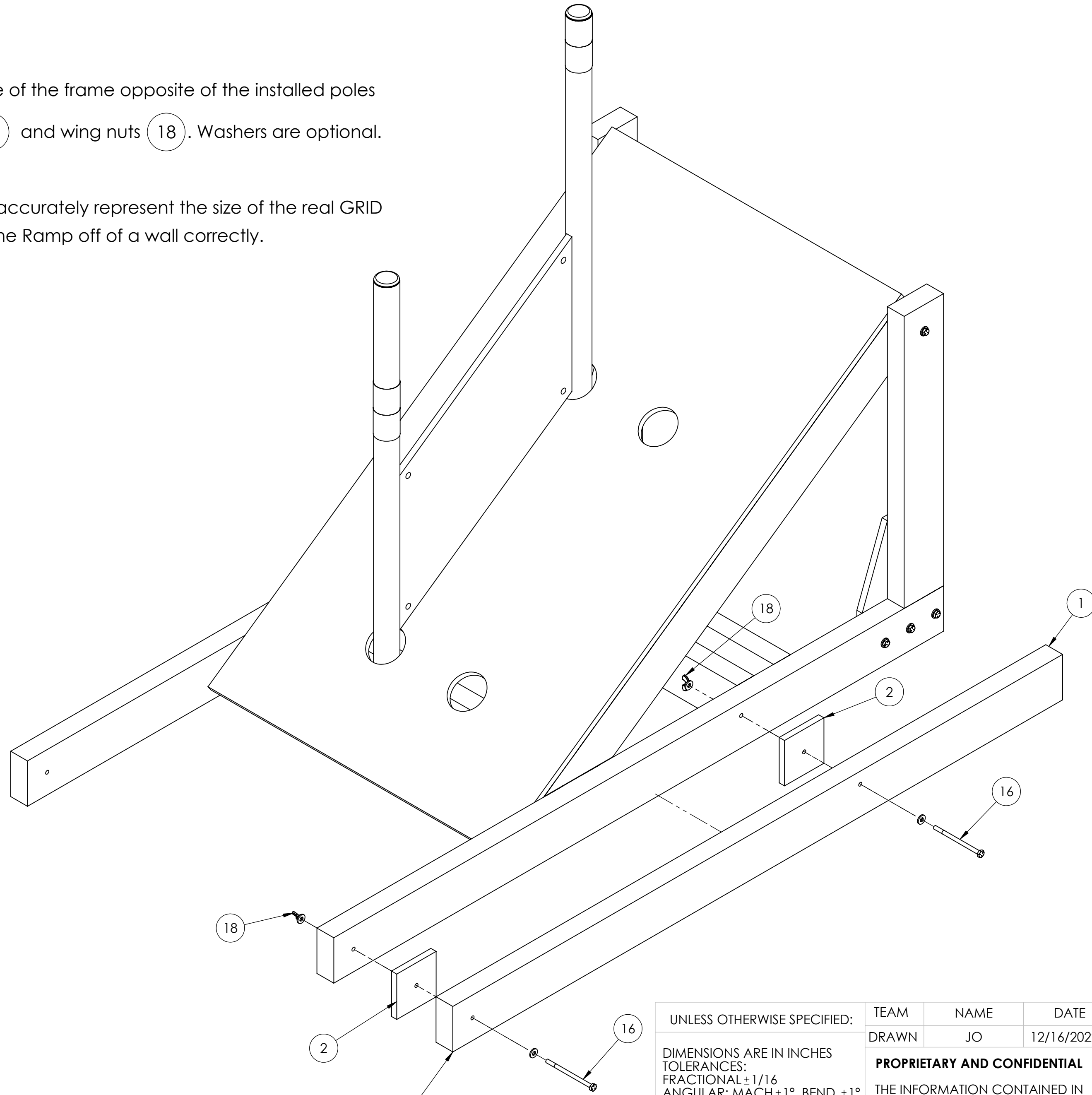
3

2



1

Step 9: Bolt (1) onto the side of the frame opposite of the installed poles using 1/4-20 x 4" long bolts (16) and wing nuts (18). Washers are optional.

(2) spacers can be used to accurately represent the size of the real GRID frame and locate the End Cone Ramp off of a wall correctly.



In this example, the poles are on the left side of the assembly so the (1) beam should be bolted on to the right side of the frame.

UNLESS OTHERWISE SPECIFIED: DIMENSIONS ARE IN INCHES TOLERANCES: FRACTIONAL ±1/16 ANGULAR: MACH ±1° BEND ±1° TWO PLACE DECIMAL ±.13 THREE PLACE DECIMAL ±.125	TEAM	NAME	DATE	 
	DRAWN	JO	12/16/2022	
MATERIAL/FINISH:	PROPRIETARY AND CONFIDENTIAL THE INFORMATION CONTAINED IN THIS DRAWING IS THE SOLE PROPERTY OF FIRST® . ANY REPRODUCTION IN PART OR AS A WHOLE WITHOUT THE WRITTEN PERMISSION OF FIRST® IS PROHIBITED.			TITLE:
	COMMENTS: REMOVE ALL BURRS AND SHARP EDGES.			End Cone Ramp (Right)
DO NOT SCALE DRAWING	SIZE	DWG. NO.	REV	
	C	TE-23002		
	SCALE: 1:5		SHEET 10 OF 10	

4

3

2

1

4

3

2

1

D

D

C

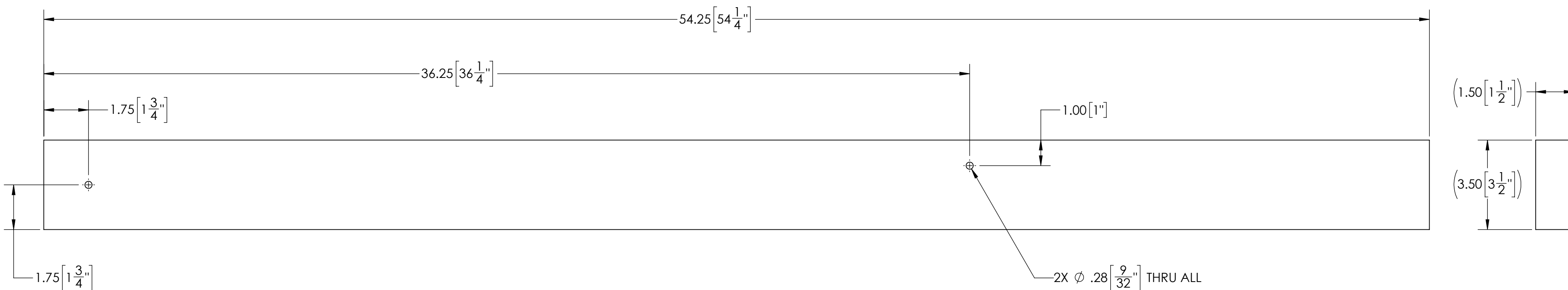
C



B

B

A

A



UNLESS OTHERWISE SPECIFIED: DIMENSIONS ARE IN INCHES TOLERANCES: FRACTIONAL $\pm 1/16$ ANGULAR: MACH $\pm 1^\circ$ BEND $\pm 1^\circ$ TWO PLACE DECIMAL $\pm .13$ THREE PLACE DECIMAL $\pm .125$ MATERIAL/FINISH: 2" x 4" Lumber DO NOT SCALE DRAWING	TEAM	NAME	DATE	 
	DRAWN	JO	11/7/2022	
	PROPRIETARY AND CONFIDENTIAL			TITLE: <h3>Cube Shelf Divider Beam</h3>
	THE INFORMATION CONTAINED IN THIS DRAWING IS THE SOLE PROPERTY OF FIRST . ANY REPRODUCTION IN PART OR AS A WHOLE WITHOUT THE WRITTEN PERMISSION OF FIRST IS PROHIBITED.			
	COMMENTS:			SIZE DWG. NO. REV C TE-23005
	REMOVE ALL BURRS AND SHARP EDGES.			SCALE: 1:3 SHEET 1 OF 1

4

3

2

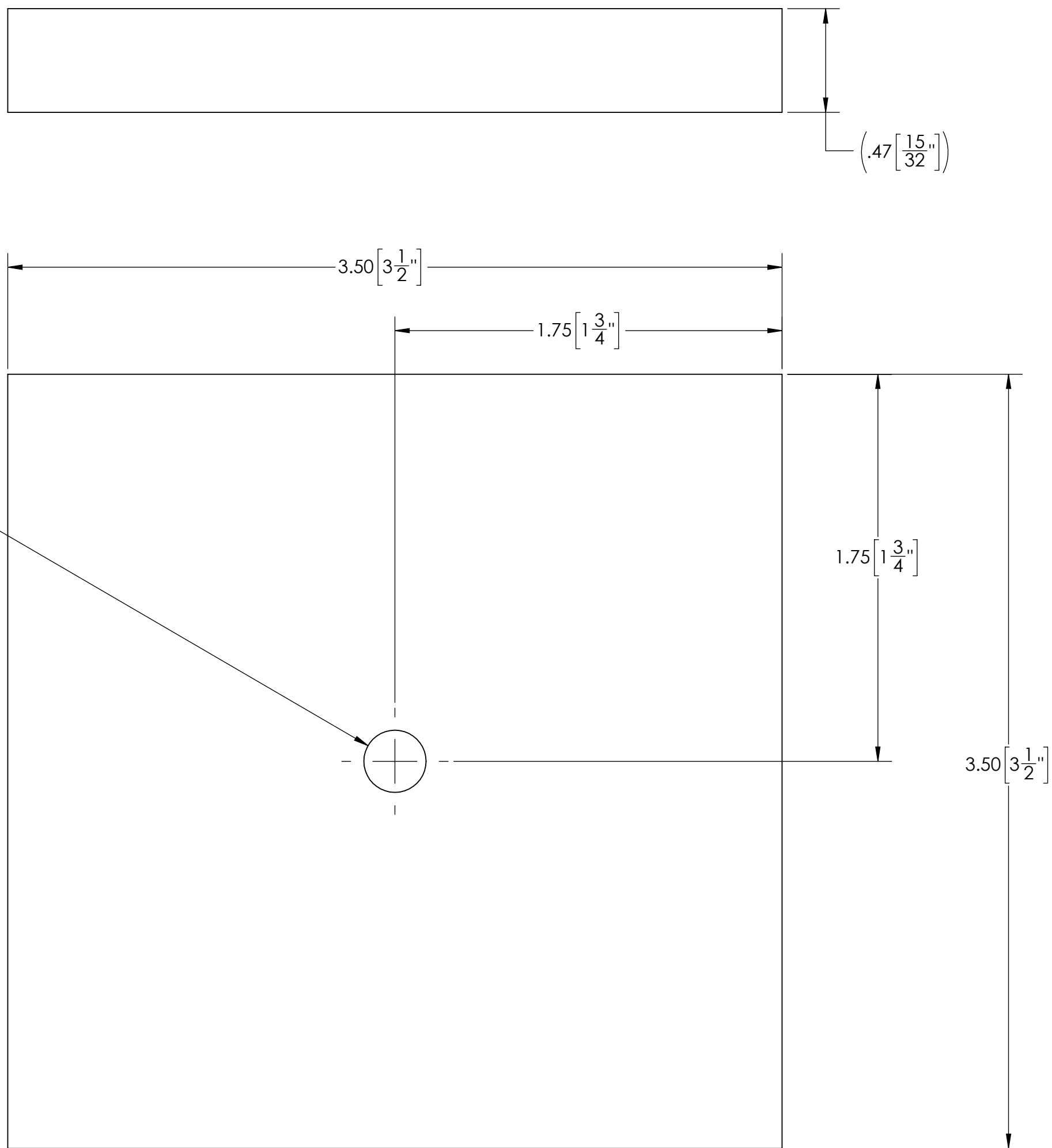
1

4

3

2

1



$\varnothing .28 \left[\frac{9}{32} \right]$ THRU ALL



3.50 $\left[3 \frac{1}{2} \right]$

1.75 $\left[1 \frac{3}{4} \right]$

1.75 $\left[1 \frac{3}{4} \right]$

3.50 $\left[3 \frac{1}{2} \right]$

$\left(.47 \left[\frac{15}{32} \right] \right)$

UNLESS OTHERWISE SPECIFIED: DIMENSIONS ARE IN INCHES TOLERANCES: FRACTIONAL $\pm 1/16$ ANGULAR: MACH $\pm 1^\circ$ BEND $\pm 1^\circ$ TWO PLACE DECIMAL $\pm .13$ THREE PLACE DECIMAL $\pm .125$ MATERIAL/FINISH: 1/2" Plywood DO NOT SCALE DRAWING	TEAM	NAME	DATE	 	
	DRAWN	JO	11/7/2022		
	PROPRIETARY AND CONFIDENTIAL THE INFORMATION CONTAINED IN THIS DRAWING IS THE SOLE PROPERTY OF FIRST . ANY REPRODUCTION IN PART OR AS A WHOLE WITHOUT THE WRITTEN PERMISSION OF FIRST IS PROHIBITED.				TITLE: <h1>Spacer Plywood</h1>
	COMMENTS: REMOVE ALL BURRS AND SHARP EDGES.				SIZE DWG. NO. REV C TE-23006
SCALE: 2:1			SHEET 1 OF 1		

4

3

2

1

D

D

C

C

B

B

A

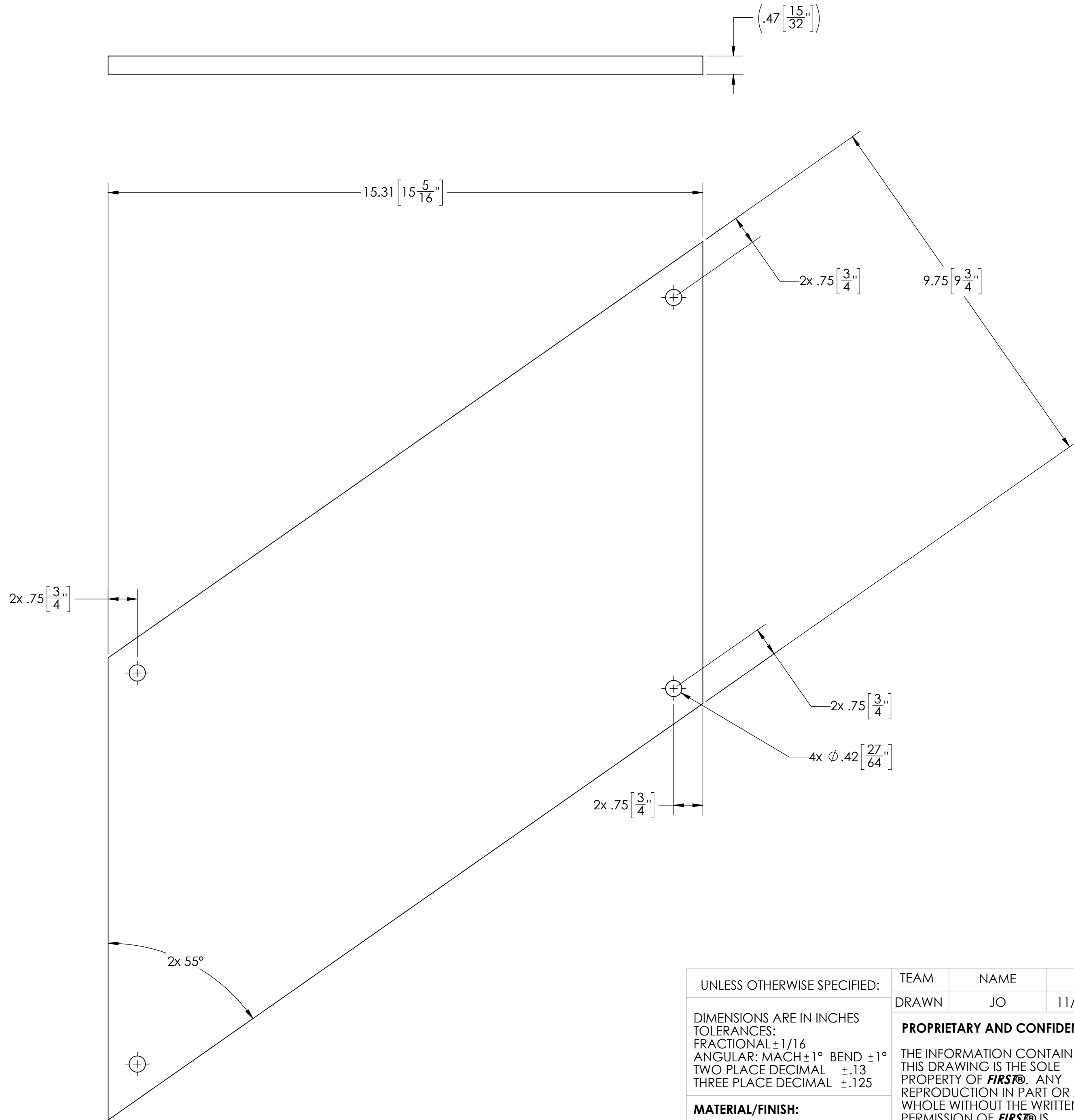
A

4

3

2

1



UNLESS OTHERWISE SPECIFIED:

DIMENSIONS ARE IN INCHES
 TOLERANCES:
 FRACTIONAL $\pm 1/16$
 ANGULAR: MACH $\pm 1^\circ$ BEND $\pm 1^\circ$
 TWO PLACE DECIMAL $\pm .13$
 THREE PLACE DECIMAL $\pm .125$

MATERIAL/FINISH:
 1/2" Plywood

DO NOT SCALE DRAWING

TEAM	NAME	DATE
DRAWN	JO	11/7/2022

PROPRIETARY AND CONFIDENTIAL
 THE INFORMATION CONTAINED IN THIS DRAWING IS THE SOLE PROPERTY OF **FIRST**. ANY REPRODUCTION IN PART OR AS A WHOLE WITHOUT THE WRITTEN PERMISSION OF **FIRST** IS PROHIBITED.

COMMENTS:
 REMOVE ALL BURRS AND SHARP EDGES.



TITLE:
Shark Fin

SIZE	DWG. NO.	REV
C	TE-23007	

SCALE: 1:2 SHEET 1 OF 1

4

3

2

1

D

C

B

A

4

3

2

1

D

D

C

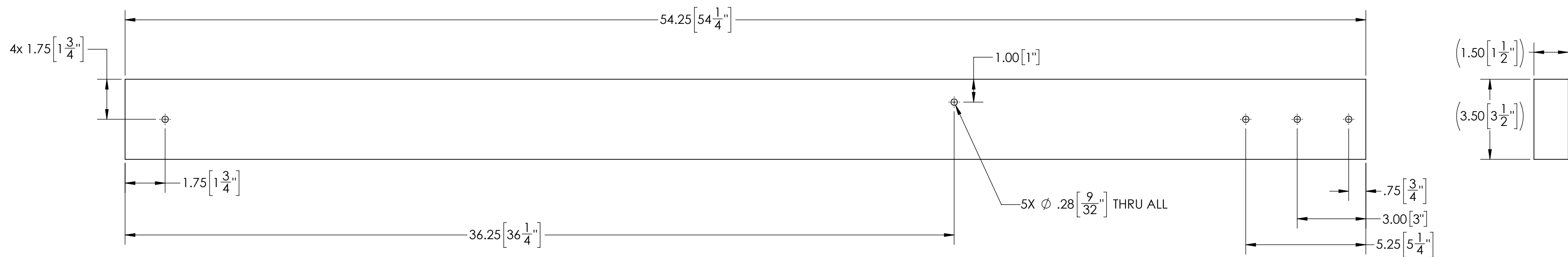
C



B

B

A

A



UNLESS OTHERWISE SPECIFIED: DIMENSIONS ARE IN INCHES TOLERANCES: FRACTIONAL \pm 1/16 ANGULAR: MACH \pm 1° BEND \pm 1° TWO PLACE DECIMAL \pm .13 THREE PLACE DECIMAL \pm .125 MATERIAL/FINISH: 2" x 4" Lumber DO NOT SCALE DRAWING	TEAM	NAME	DATE	 
	DRAWN	JO	11/7/2022	
PROPRIETARY AND CONFIDENTIAL THE INFORMATION CONTAINED IN THIS DRAWING IS THE SOLE PROPERTY OF FIRST ®. ANY REPRODUCTION IN PART OR AS A WHOLE WITHOUT THE WRITTEN PERMISSION OF FIRST ® IS PROHIBITED.				TITLE:
				<h1>Cone Ramp Horizontal</h1>
SIZE		DWG. NO.	REV	
C		TE-23008		
SCALE: 3:10			SHEET 1 OF 1	

4

3

2

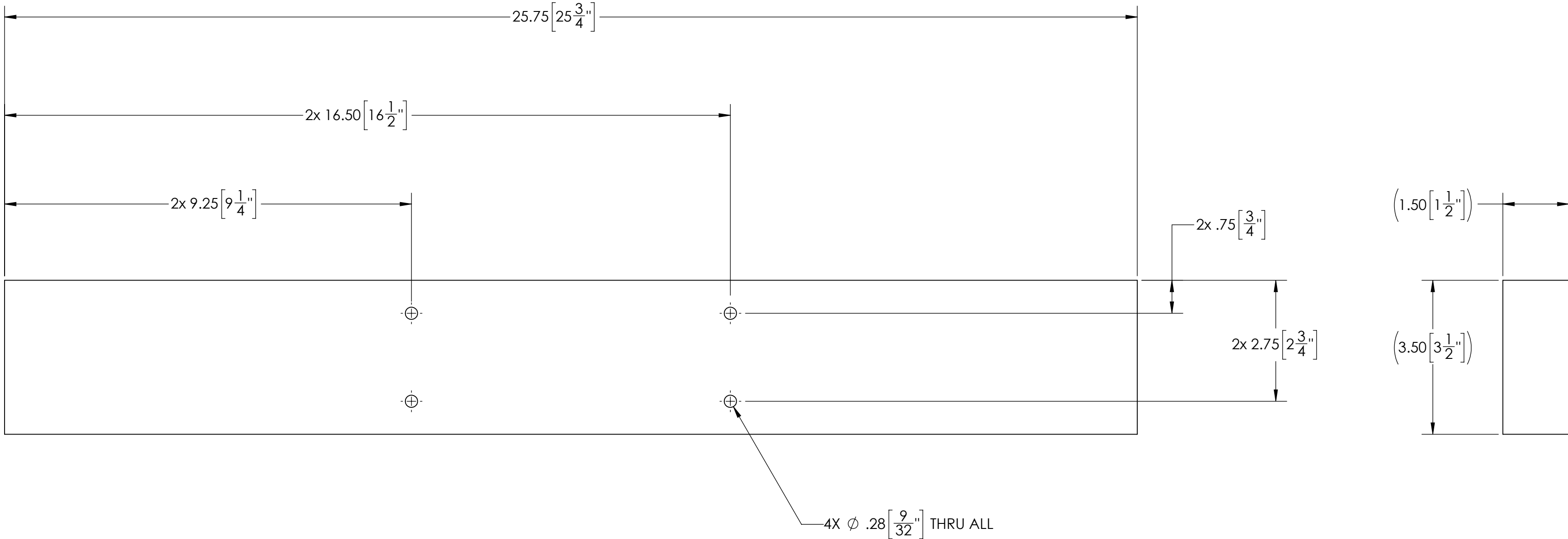
1



4

3

2

1



UNLESS OTHERWISE SPECIFIED: DIMENSIONS ARE IN INCHES TOLERANCES: FRACTIONAL $\pm 1/16$ ANGULAR: MACH $\pm 1^\circ$ BEND $\pm 1^\circ$ TWO PLACE DECIMAL $\pm .13$ THREE PLACE DECIMAL $\pm .125$ MATERIAL/FINISH: 2" x 4" Lumber	TEAM	NAME	DATE	 
	DRAWN	JO	11/7/2022	
DO NOT SCALE DRAWING	PROPRIETARY AND CONFIDENTIAL			TITLE: Wide Cone Ramp Crossbeams SIZE: C DWG. NO. TE-23009 REV SCALE: 1:2 SHEET 1 OF 1
	THE INFORMATION CONTAINED IN THIS DRAWING IS THE SOLE PROPERTY OF FIRST . ANY REPRODUCTION IN PART OR AS A WHOLE WITHOUT THE WRITTEN PERMISSION OF FIRST IS PROHIBITED. COMMENTS: REMOVE ALL BURRS AND SHARP EDGES.			

4

3

2

1

D

D

C

C

B

B

A

A

4

3

2

1

D

D

C

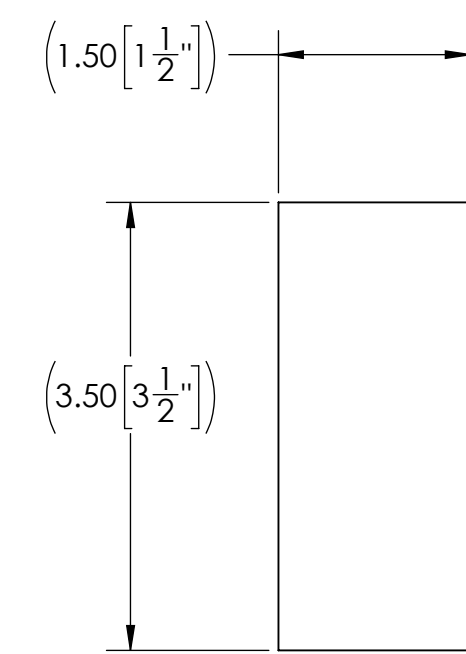
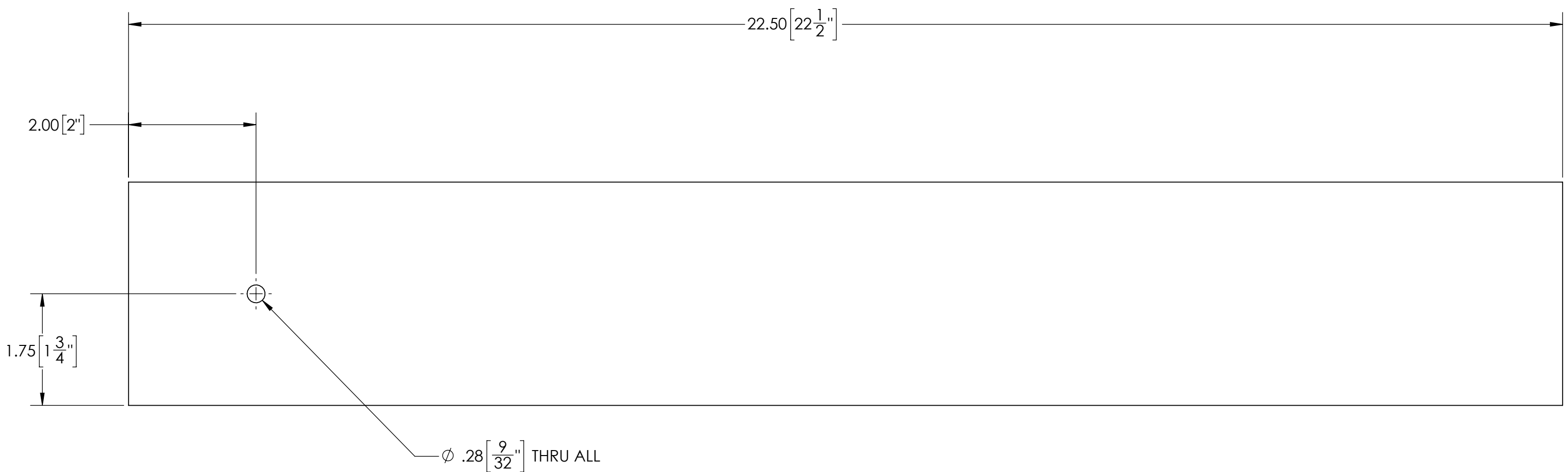
C


B

B

A

A



UNLESS OTHERWISE SPECIFIED: DIMENSIONS ARE IN INCHES TOLERANCES: FRACTIONAL $\pm 1/16$ ANGULAR: MACH $\pm 1^\circ$ BEND $\pm 1^\circ$ TWO PLACE DECIMAL $\pm .13$ THREE PLACE DECIMAL $\pm .125$	TEAM	NAME	DATE							
	DRAWN	JO	11/7/2022							
MATERIAL/FINISH: 2" x 4" Lumber	PROPRIETARY AND CONFIDENTIAL THE INFORMATION CONTAINED IN THIS DRAWING IS THE SOLE PROPERTY OF FIRST . ANY REPRODUCTION IN PART OR AS A WHOLE WITHOUT THE WRITTEN PERMISSION OF FIRST IS PROHIBITED.			TITLE: Cone Ramp Vertical						
DO NOT SCALE DRAWING	COMMENTS: REMOVE ALL BURRS AND SHARP EDGES.			<table border="1"> <tr> <td>SIZE</td> <td>DWG. NO.</td> <td>REV</td> </tr> <tr> <td>C</td> <td>TE-23011</td> <td></td> </tr> </table>	SIZE	DWG. NO.	REV	C	TE-23011	
	SIZE	DWG. NO.	REV							
C	TE-23011									
SCALE: 2:3			SHEET 1 OF 1							

4

3

2

1

4

3

2

1

D

D

C

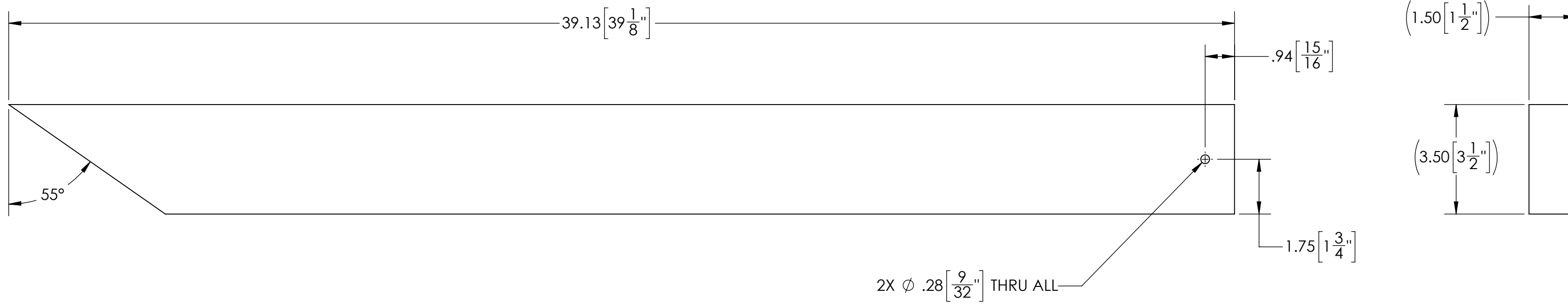
C



B

B

A

A



UNLESS OTHERWISE SPECIFIED: DIMENSIONS ARE IN INCHES TOLERANCES: FRACTIONAL ±1/16 ANGULAR: MACH ±1° BEND ±1° TWO PLACE DECIMAL ±.13 THREE PLACE DECIMAL ±.125 MATERIAL/FINISH: 2" x 4" Lumber DO NOT SCALE DRAWING	TEAM	NAME	DATE	 
	DRAWN	JO	11/7/2022	
	PROPRIETARY AND CONFIDENTIAL			TITLE:
	THE INFORMATION CONTAINED IN THIS DRAWING IS THE SOLE PROPERTY OF FIRST® . ANY REPRODUCTION IN PART OR AS A WHOLE WITHOUT THE WRITTEN PERMISSION OF FIRST® IS PROHIBITED.			Cone Ramp Diagonal Beam
	COMMENTS: REMOVE ALL BURRS AND SHARP EDGES.			SIZE DWG. NO. REV C TE-23013
	SCALE: 1:3		SHEET 1 OF 1	

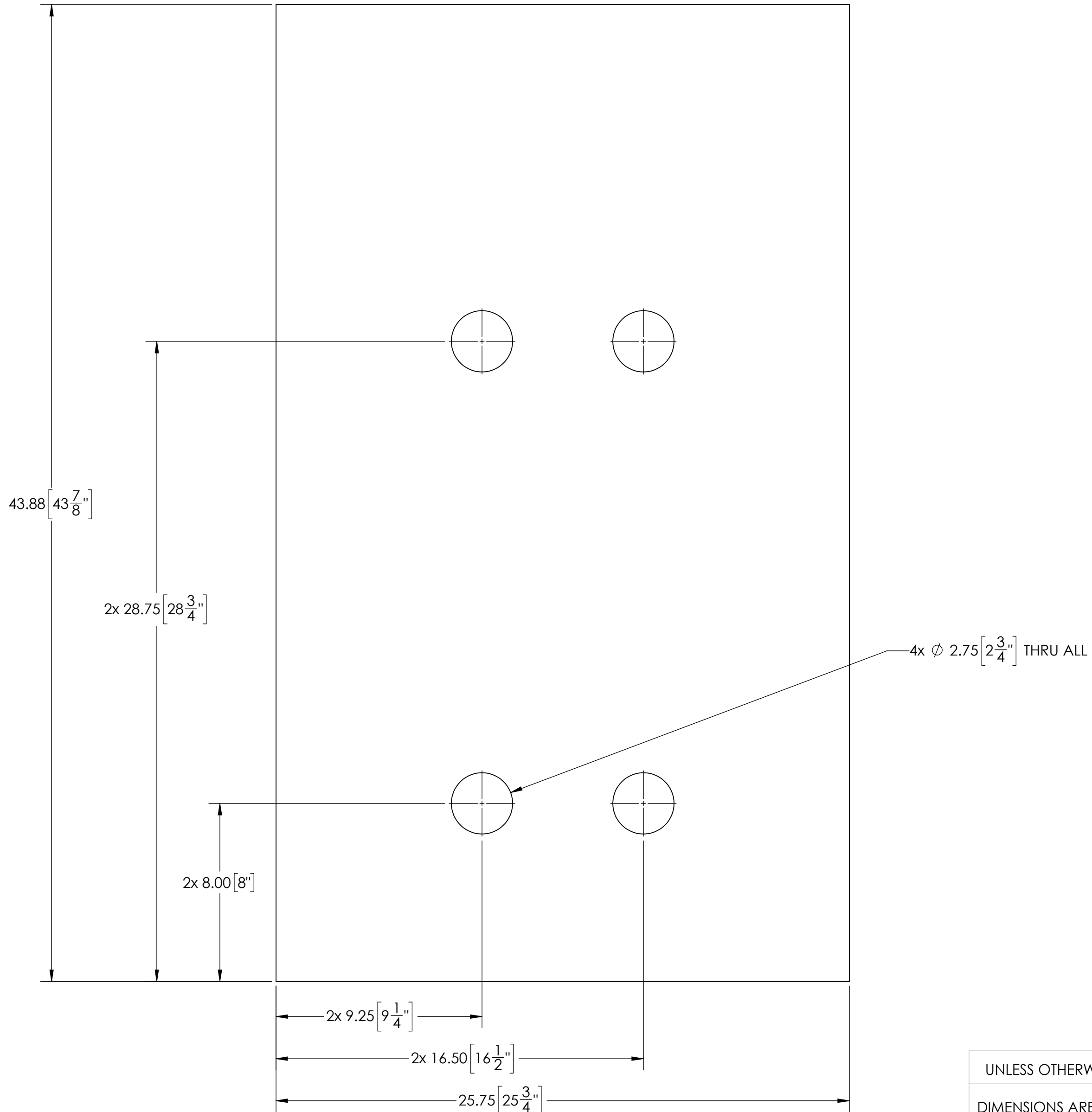
4

3

2

1

$(.47 \left[\frac{15}{32} \right])$



UNLESS OTHERWISE SPECIFIED:

DIMENSIONS ARE IN INCHES
TOLERANCES:
FRACTIONAL $\pm 1/16$
ANGULAR: MACH $\pm 1^\circ$ BEND $\pm 1^\circ$
TWO PLACE DECIMAL $\pm .13$
THREE PLACE DECIMAL $\pm .125$

MATERIAL/FINISH:
1/2" Plywood

DO NOT SCALE DRAWING

TEAM	NAME	DATE
DRAWN	JO	11/7/2022

PROPRIETARY AND CONFIDENTIAL
THE INFORMATION CONTAINED IN THIS DRAWING IS THE SOLE PROPERTY OF **FIRST**. ANY REPRODUCTION IN PART OR AS A WHOLE WITHOUT THE WRITTEN PERMISSION OF **FIRST** IS PROHIBITED.

COMMENTS:
REMOVE ALL BURRS AND SHARP EDGES.



TITLE: **Wide Cone Ramp Diagonal Panel**

SIZE	DWG. NO.	REV
C	TE-23014	

SCALE: 1:4 SHEET 1 OF 1

4

3

2

1

D

D

C

C

B

B

A

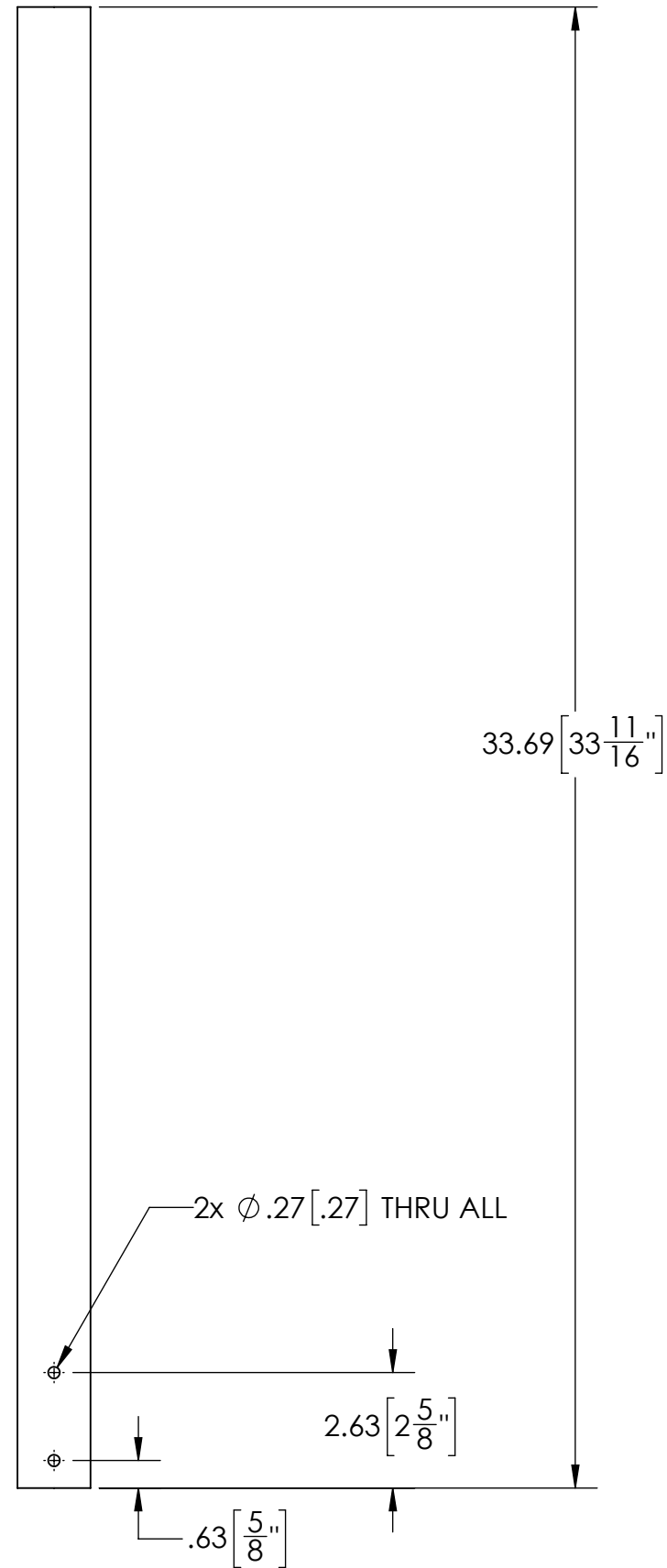
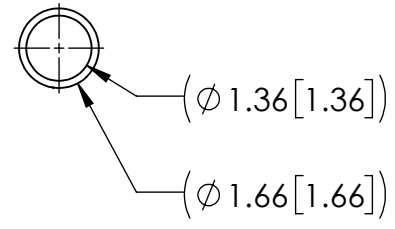
A

4

3

2

1



UNLESS OTHERWISE SPECIFIED:

DIMENSIONS ARE IN INCHES
 TOLERANCES:
 FRACTIONAL $\pm 1/16$
 ANGULAR: MACH $\pm 1^\circ$ BEND $\pm 1^\circ$
 TWO PLACE DECIMAL $\pm .13$
 THREE PLACE DECIMAL $\pm .125$

MATERIAL/FINISH:
 1.25" SCH40 AL Tube

DO NOT SCALE DRAWING

TEAM	NAME	DATE
DRAWN	JO	12/21/2022

PROPRIETARY AND CONFIDENTIAL
 THE INFORMATION CONTAINED IN THIS DRAWING IS THE SOLE PROPERTY OF **FIRST**. ANY REPRODUCTION IN PART OR AS A WHOLE WITHOUT THE WRITTEN PERMISSION OF **FIRST** IS PROHIBITED.

COMMENTS:
 REMOVE ALL BURRS AND SHARP EDGES.



TITLE:
Lower Pole

SIZE	DWG. NO.	REV
C	TE-23016	

SCALE: 1:4 SHEET 1 OF 1

D

D

C

C

B

B

A

A

4

3

2

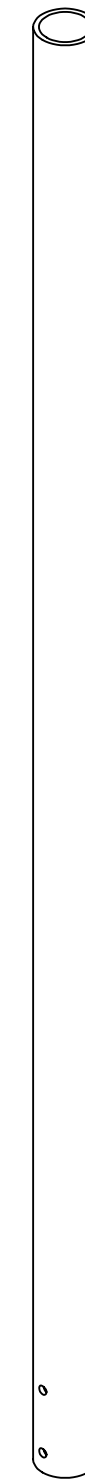
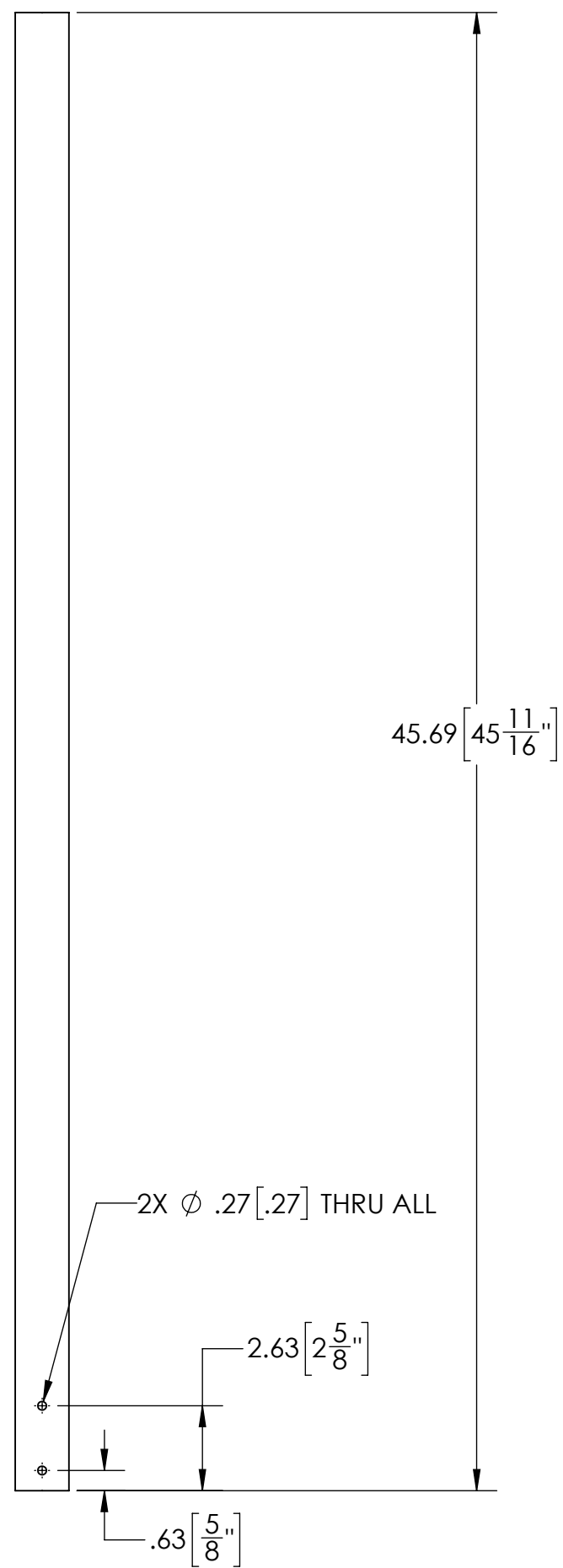
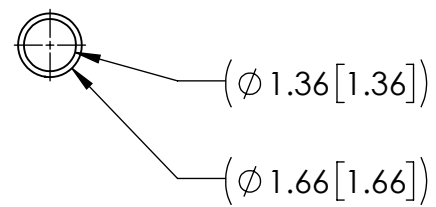
1



4

3

2

1



UNLESS OTHERWISE SPECIFIED: DIMENSIONS ARE IN INCHES TOLERANCES: FRACTIONAL $\pm 1/16$ ANGULAR: MACH $\pm 1^\circ$ BEND $\pm 1^\circ$ TWO PLACE DECIMAL $\pm .13$ THREE PLACE DECIMAL $\pm .125$ MATERIAL/FINISH: 1.25" SCH40 Aluminum Tube DO NOT SCALE DRAWING	TEAM	NAME	DATE	 
	DRAWN	JO	12/21/2022	
PROPRIETARY AND CONFIDENTIAL THE INFORMATION CONTAINED IN THIS DRAWING IS THE SOLE PROPERTY OF FIRST . ANY REPRODUCTION IN PART OR AS A WHOLE WITHOUT THE WRITTEN PERMISSION OF FIRST IS PROHIBITED.				TITLE:
				Upper Pole
		SIZE	DWG. NO.	REV
		C	TE-23017	
SCALE: 1:5			SHEET 1 OF 1	

4

3

2

1

D

D

C

C

B

B

A

A