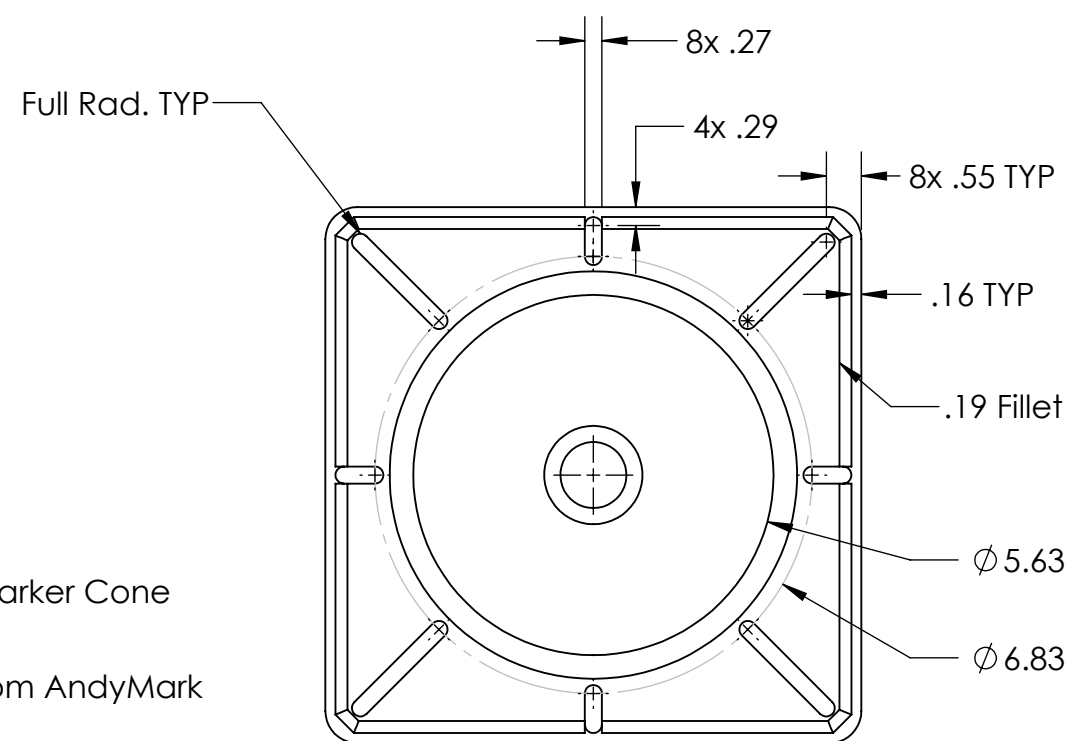
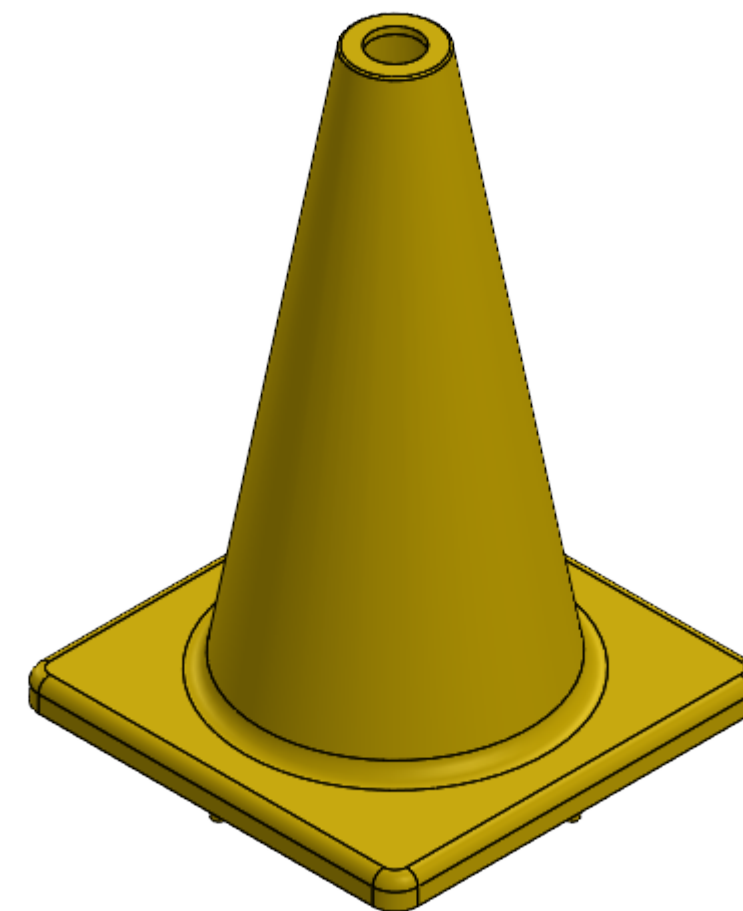
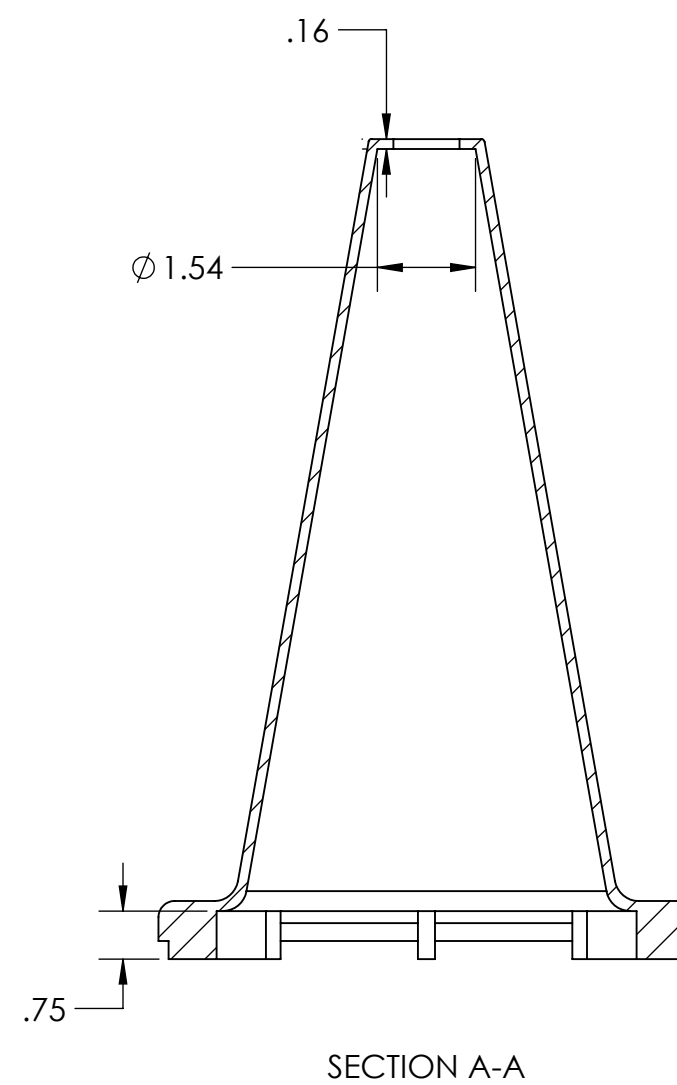
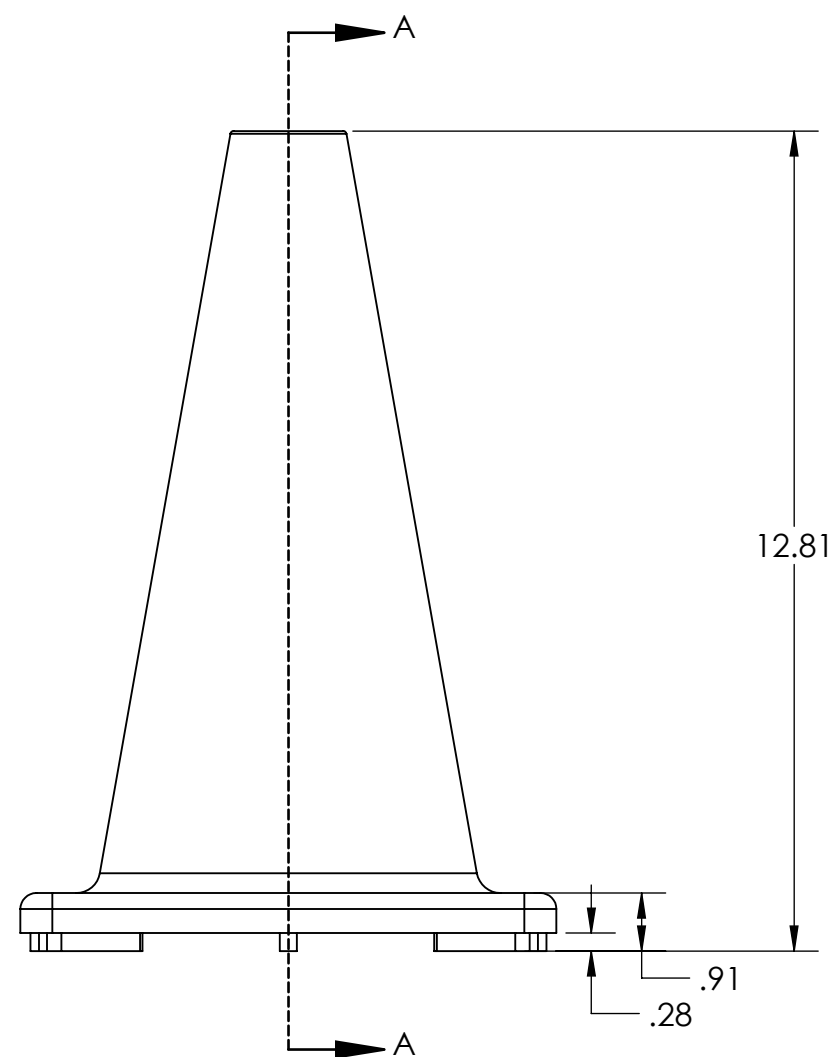
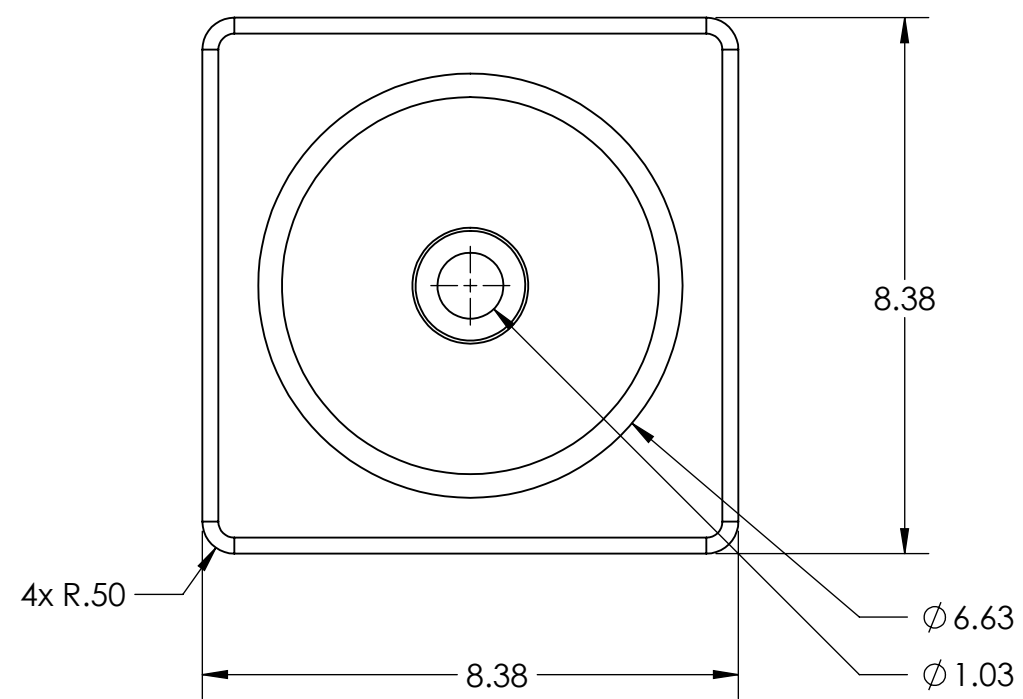


4

3


2

1



- Notes:
1. Description: 1ft. 13/16in. tall Rubber Marker Cone
 2. Source: Flaghouse
 3. Closest Item# sold by Flaghouse: 4158
 4. Availavle to teams as am-4700_sync from AndyMark

UNLESS OTHERWISE SPECIFIED: DIMENSIONS ARE IN INCHES TOLERANCES: FRACTIONAL ± 1/2 ANGULAR: MACH ± 1° BEND ± 1° TWO PLACE DECIMAL ± .50	FIELD	NAME	DATE
	DRAWN	JO	12/28/2022
MATERIAL/FINISH:	PROPRIETARY AND CONFIDENTIAL		
	THE INFORMATION CONTAINED IN THIS DRAWING IS THE SOLE PROPERTY OF FIRST® . ANY REPRODUCTION IN PART OR AS A WHOLE WITHOUT THE WRITTEN PERMISSION OF FIRST® IS PROHIBITED.		
DO NOT SCALE DRAWING	COMMENTS:		
	REMOVE ALL BURRS AND SHARP EDGES.		

 		
TITLE: CONE		
SIZE	DWG. NO.	REV
C	GE-23700	
SCALE: 1:3		SHEET 1 OF 1

4

3

2

1