

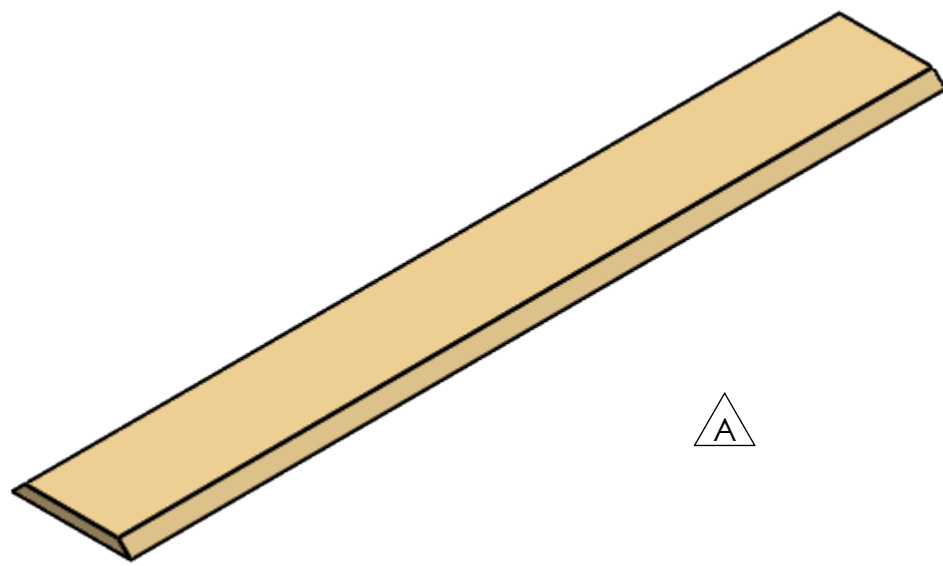
4

3

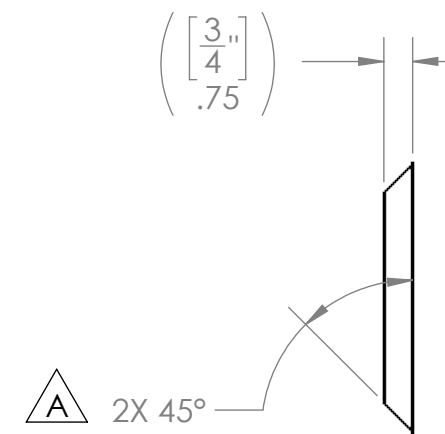
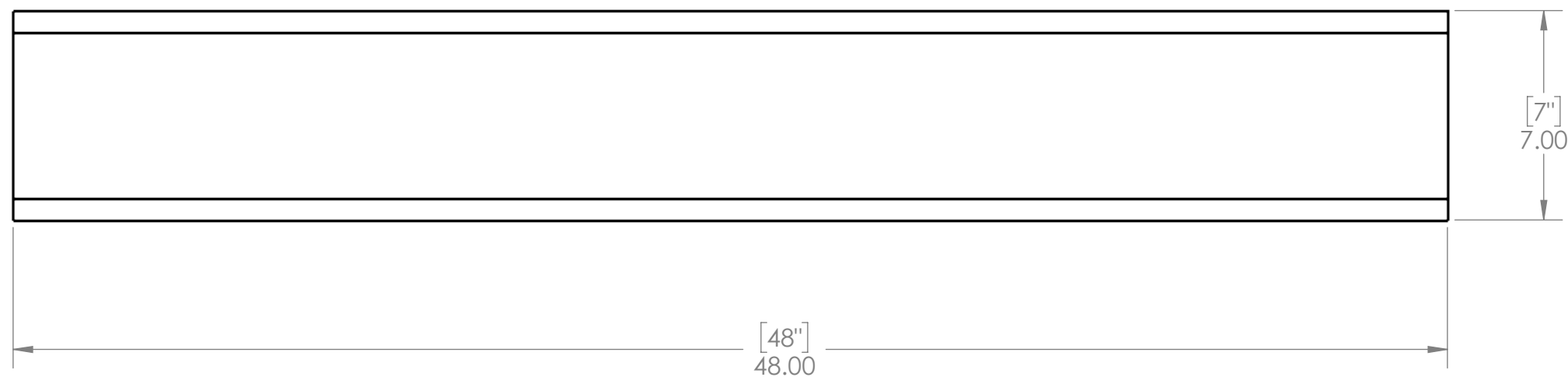
2

1

REVISIONS				
ZONE	REV.	DESCRIPTION	DATE	APPROVED
B2, D3	A	Added ISO View, added 2X	1/11/2022	DAF



A



Notes:
 1. Attach 1" hook fastener to the length on both side of the bottom.

UNLESS OTHERWISE SPECIFIED:
 DIMENSIONS ARE IN INCHES
 TOLERANCES:
 FRACTIONAL ±1/16
 ANGULAR: MACH ±1° BEND ±1°
 TWO PLACE DECIMAL ±.13
 THREE PLACE DECIMAL ±.125

MATERIAL/FINISH:
 1x8 pine, KD

DO NOT SCALE DRAWING

TEAM	NAME	DATE
DRAWN	NW	12/30/2021

PROPRIETARY AND CONFIDENTIAL
 THE INFORMATION CONTAINED IN THIS DRAWING IS THE SOLE PROPERTY OF **FIRST®**. ANY REPRODUCTION IN PART OR AS A WHOLE WITHOUT THE WRITTEN PERMISSION OF **FIRST®** IS PROHIBITED.

COMMENTS:
 REMOVE ALL BURRS AND SHARP EDGES.



TITLE: Cable Protector Simulation		
SIZE C	DWG. NO. TE-22330	REV A
SCALE: 1:5		SHEET 1 OF 1

4

3

2

1