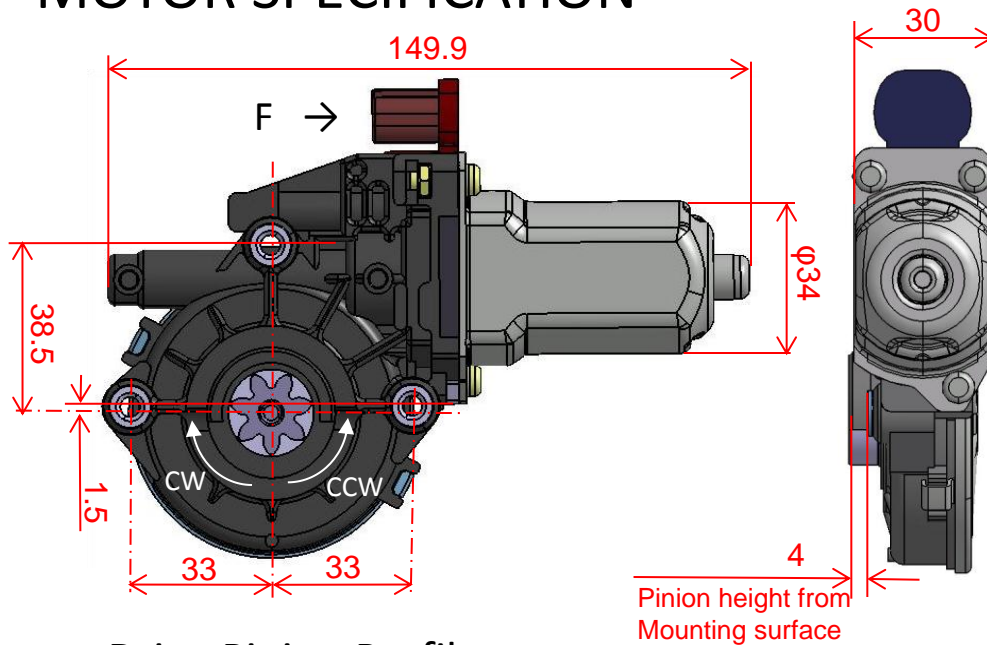


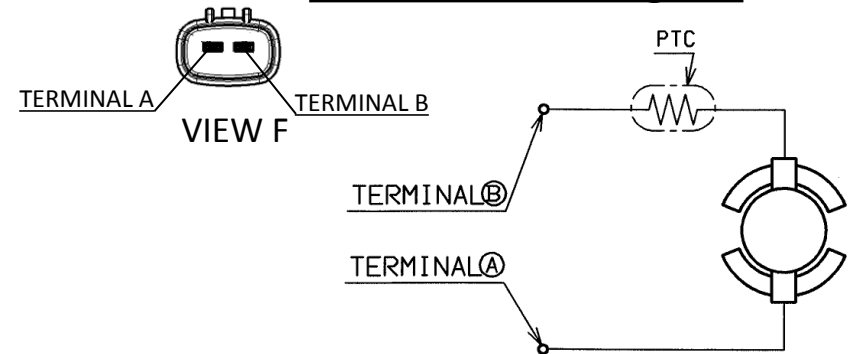
# MOTOR SPECIFICATION



## Drive Pinion Profile

Gear Tooth Profile	Profile Shifted Spur Gear Full Depth Tooth
Module	2
Pressure Angle	20 degree
Number of Teeth	7
Pitch Diameter	$\phi 14$
Addendum Modification	+0.5
Circular Pitch	6.283
Over Pin Diameter	$\Phi 25.287(0/-0.1)$ Pin Dia. $\phi 5.86$
Base Tangent Length	$9.736(0/-0.1)$ 2 Teeth
Outer Diameter	$\Phi 19.6 \pm 0.05$
Base Circle Diameter	$\Phi 13.156$

## Motor Circuit Diagram



## Rotation Direction

(View from Drive Pinion)

	Terminal A	Terminal B
CW	-	+
CCW	+	-

## Motor performance

